

Type \_\_\_\_\_

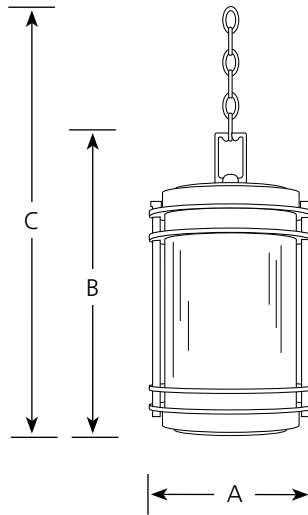
-108

P5503

**Finish**

**Dimensions (Inches)**

Catalog No.	Antique Nickel	Lamping	A	B	C
P5503	-108	1 (m) 100w	8	14-1/4	89



**Specifications:**

General

- Outer clear glass cylinder: 6-1/4" dia. x 10" T x 1/8" wall thickness
- Inner opal glass cylinder: 5" dia. x 10-3/8" T, 1/8" wall thickness
- Cylindrical styling
- Six feet of 9 gauge chain supplied
- Painted finish
- Die cast aluminum construction
- Matching chain hung and wall units available

Mounting

- Ceiling chain mounted

Electrical

- Ceramic medium based socket
- 15' of wire supplied
- Pre-wired

Labeling

- UL-CUL damp location listed