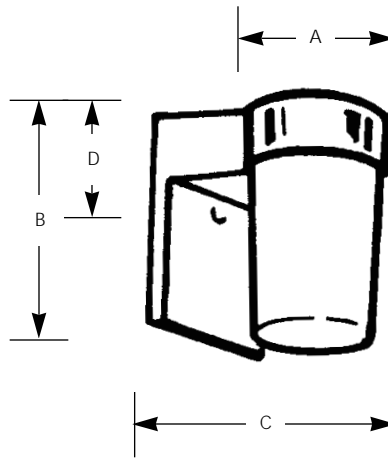


Type _____
-16
P5695

Catalog No.	Finish	Mounting	Lamping	Dimensions (Inches)			
	Satin Aluminum			A	B	C	D
P5695	-16	Wall	1-60w A19	4-1/2	6-3/4	4-3/4	3-1/4



Specifications:

General

- Cast aluminum construction
- Satin Aluminum finish
- UV stabilized polycarbonate white cylindrical diffuser
- Diffuser screws into aluminum housing

Electrical

- Medium base porcelain socket with nickel plated brass screw shell

Labeling

- UL-CUL wet location listed

Mounting

- Covers any outlet box
- Outlet box mounting strap provided for center lock up mounting