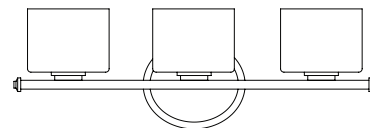
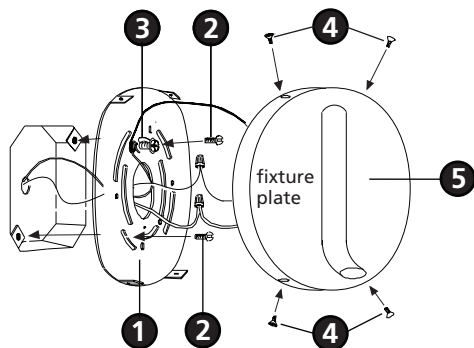


Family: Ocho | Item No. 5423 CM



Drawing 1 - Fixture Mounting

▼ start here



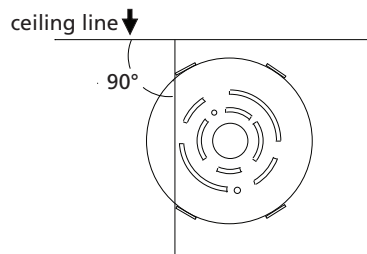
1

1. Find a clear area in which you can work.
2. Unpack fixture and glass from carton.
3. Carefully review instructions prior to assembly.

***** The construction of this fixture will be accomplished by first mounting the mounting strap to the junction box, making all necessary electrical connections, mounting the fixture to the wall, and then installing the fixture glass.**

Drawing 2 - Mounting Plate

2



1. Remove mounting plate (1) from fixture backplate (5) by removing the 4 flathead screws (4) - see **Drawing 1**.
2. Take main mounting plate (1) and slide the wires from the junction box through the large center hole. Line up the curved slots (3) with the threaded holes in the junction box. Using 2 screws (2) attach the main mounting plate to the junction box.
 - Make sure mounting plate tabs are 90 degrees to the ceiling line - see **Drawing 2**.

SAFETY WARNING: READ WIRING AND GROUNDING INSTRUCTIONS (I.S. 18) AND ANY ADDITIONAL DIRECTIONS. TURN POWER SUPPLY OFF DURING INSTALLATION. IF NEW WIRING IS REQUIRED, CONSULT A QUALIFIED ELECTRICIAN OR LOCAL AUTHORITIES FOR CODE REQUIREMENTS.

Drawing 3 - Glass Installation

3

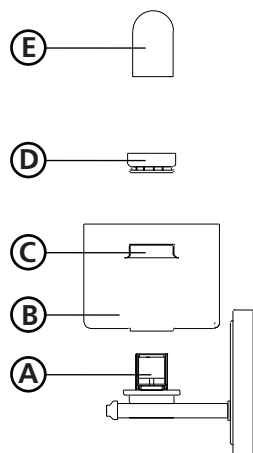
- Make electrical connections from supply wire to fixture lead wires. Refer to instruction sheet (I.S. 18) and follow all instructions to make all necessary wiring connections. Then refer back to this sheet to continue installation of this fixture.

4

1. Mount the fixture by sliding the backplate (4) over the mounting plate (1) - see **Drawing 1**.
2. Attach the backplate (4) to the fixture using the screw (4) that were removed prior.

5

1. To install glass, slip glass (B) over socket (A) - see **Drawing 3**.
2. Slip spacer (C) over socket (A). Flaired edge down.
3. Thread on retaining ring (D) to socket (A) to secure glass (B).
4. Fixture can now be lamped with bulb supplied.
5. Snap glass bulb cover (E) into retaining ring (C).
6. To replace lamp, follow steps 4-5 in reverse order.



2.7.08