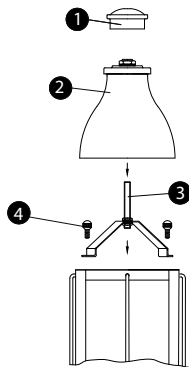


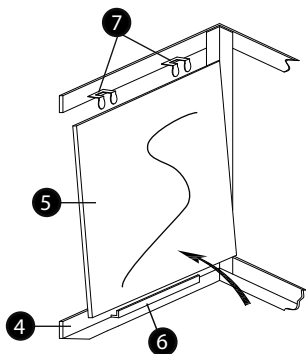
Item No. 2040 / 2044 / 2045

▼ start here

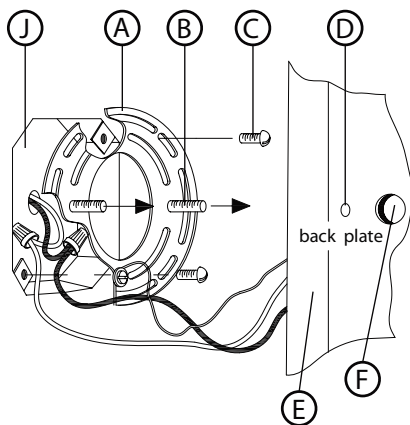
Drawing 1 - fixture assembly



Drawing 2 - Glass Installation



Drawing 3 - Fixture Mounting



1

1. Find a clear area in which you can work.
2. Unpack fixture and glass from carton.
3. Carefully review instructions prior to assembly.

*** The construction of this fixture will be accomplished by first installing the glass, attaching mounting hardware to the junction box, making all necessary electrical connections, attaching the fixture to the wall.

2

1. To install glass, it is necessary to remove the roof (2) first. This is accomplished by first unthreading top knob (1) - see Drawing 1.
2. Roof (2) can now be lifted off the cage of the fixture.
3. To remove cross bar and center tube assembly (3), unthread ball knob studs (4).
4. Set these parts aside in a safe place to be re-installed later.

3

1. To install glass panels (5), slip them down through the open top of the cage (4). - see Drawing
2. Slip bottom of glass panels (5) into channel (6) in bottom of cage (4) tip top of panel into position, and bend over clips (7) to secure glass in cage. Repeat procedure for remaining panels of glass.
3. After glass panels are installed, fixture may be lamped, and roof parts can be re-installed.

SAFETY WARNING: READ WIRING AND GROUNDING INSTRUCTIONS (I.S. 18) AND ANY ADDITIONAL DIRECTIONS. TURN POWER SUPPLY OFF DURING INSTALLATION. IF NEW WIRING IS REQUIRED, CONSULT A QUALIFIED ELECTRICIAN OR LOCAL AUTHORITIES FOR CODE REQUIREMENTS.

4

Make electrical connections from supply wire to fixture lead wires. Refer to instruction sheet (I.S. 18) and follow all instructions to make all necessary wiring connections. Then refer back to this sheet to continue installation of this fixture.

5

1. Prepare mounting strap (A) by threading the two long mounting screws (B) into the back of the mounting strap (A) - see Drawing 3.
 - Be sure the holes into which the screws are threaded match the spacing of holes (D) in the backplate (E).
2. Attach mounting strap (A) to junction box (J) using two screws (C).
3. To mount fixture, slip the two mounting screws (B) through the two mounting holes (D) in the backplate (E) - see Drawing 3.
4. While holding fixture in place, thread the two ball knobs (F) on to the end of the mounting screws (B), and tighten.