

INSTALLATION GUIDE

Model LS Series (Multi-Light G9 Pendant 120V)

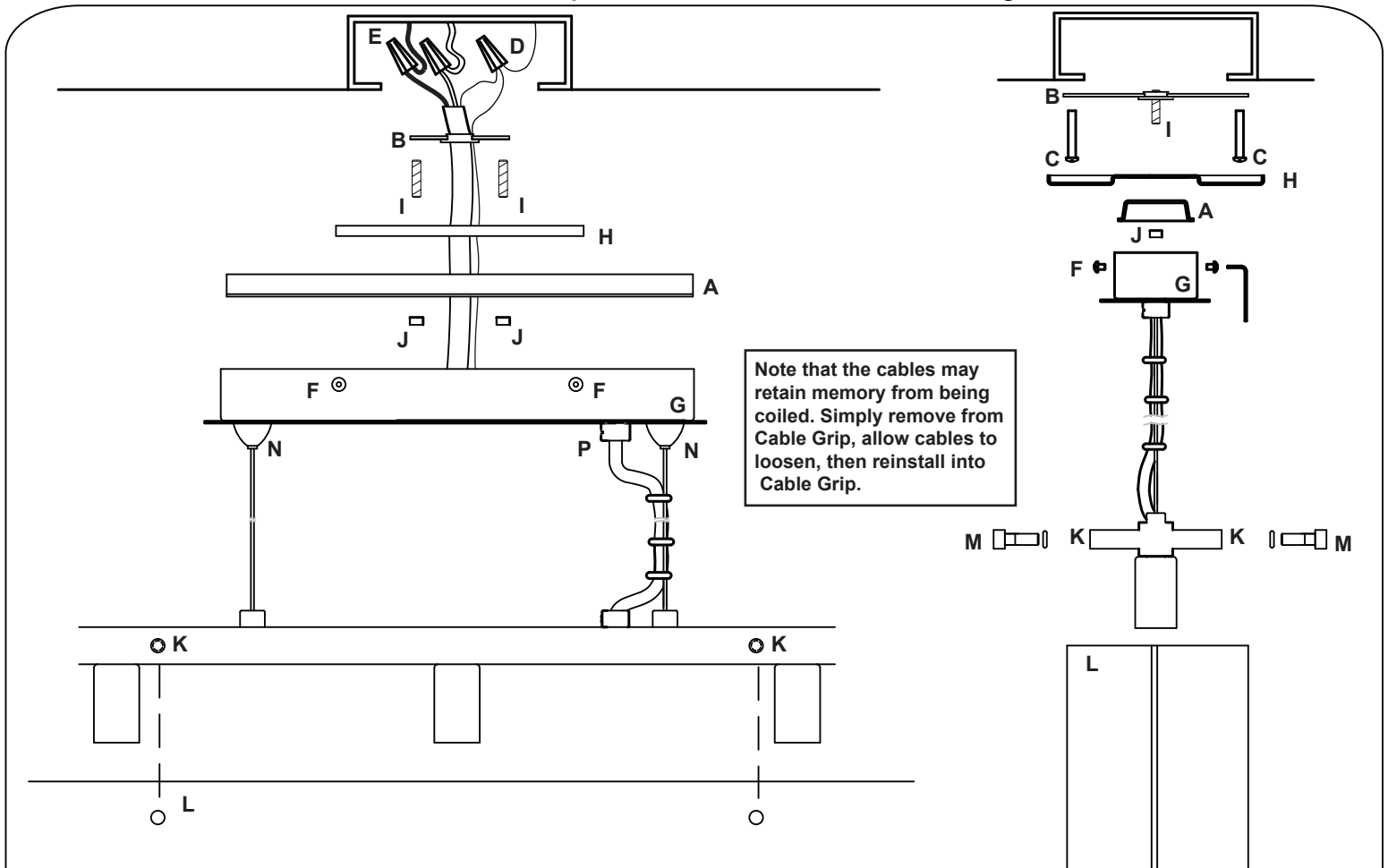


BESA LIGHTING

6695 Taylor Rd. Blacklick, OH 43004
www.besalighting.com

LS, Rev.3 9-11

Caution: Turn off power to electrical box before installing



Note that the cables may retain memory from being coiled. Simply remove from Cable Grip, allow cables to loosen, then reinstall into Cable Grip.

SIDE VIEW

- Carefully unpack parts. Using the Allen Wrench provided, loosen Screws (F) to release the Fixture Mounting Plate (A) from Canopy (G). (See Side View).
- Determine the overall length of cord and cable desired, then adjust using the Cable Grips (N) and Cord Strain Relief (P). To adjust cable length, push the cable up through the Cable Grip. To increase the cable length, push the Cable Grip upwards and the cable will be released for lowering. Run the cord through the center openings on Fixture Mounting Plate (A), Decorative Cover (H) and Mounting Bracket (B).
If using 18" Decorative Cord Sleeve(s), cut to desired length and slide onto cord prior to running the cord through the center openings. The Decorative Cord Sleeve(s) will then be secured by pulling the cord through the Cord Strain Relief and tightening the set screw.
- Attach the bare copper fixture ground wire and bare ground conductor from cord to the supply ground and secure with Wire Nut Connector (D).
- Connect the cord conductors to the supply conductors with Wire Nut Connectors (E) as shown: Cord conductor with white stripe to white supply wire and clear cord conductor to black supply wire. Carefully push wires and wire nuts back into outlet box.
- Secure the Mounting Bracket (B) to the Electrical Supply Box with Machine Screws (C) provided. (See Side View).
- After securing the Threaded Posts (I) into the holes in the shorter section of the Mounting Bracket (B), align the circular openings on the Decorative Cover (H) and Fixture Mounting Plate (A) with the Threaded Posts on the Mounting Bracket. Push the Decorative Cover and Fixture Mounting Plate over the Threaded Posts until the Decorative Cover is flush with the ceiling, then secure with the Cap Nuts (J).
- Position the Canopy (G) over the Fixture Mounting Plate (A) and secure by tightening the Screws (F) with the Allen Wrench provided. (See Side View).
- Install the Glass Shade (L) by aligning the holes in the Glass Shade with the holes in the Threaded Arms (K) and secure using the Decorative Caps (M). (See Side View).
- Install the lamps provided and restore power.

All electrical connections and the installation of this fixture must be in agreement with local codes, ordinances or the NEC (National Electric Code) or CEC (Canadian Electrical Code). Do not connect this fixture to an electrical system that does not provide a means for equipment grounding.