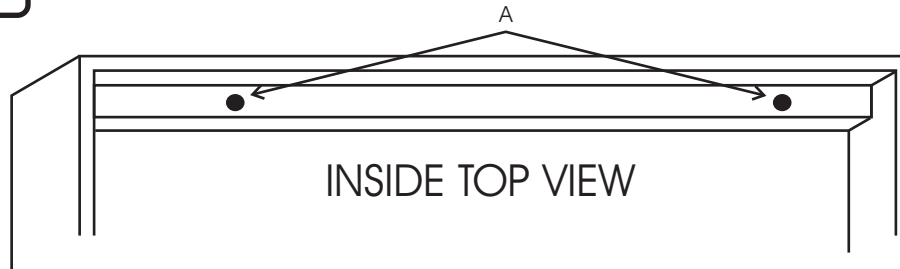
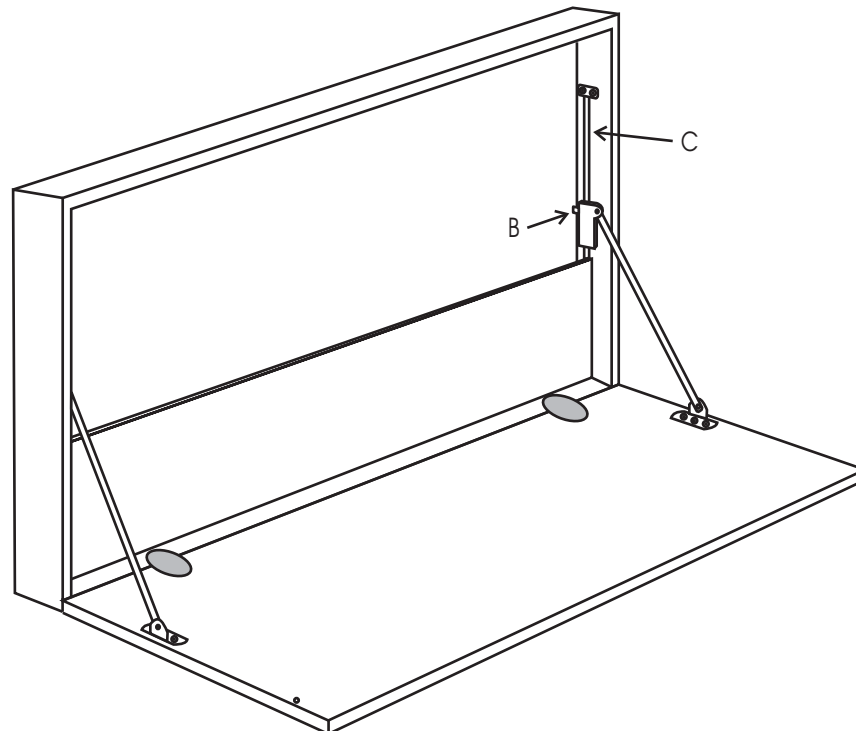




# LAMINATED WALL DESK INSTRUCTIONS



1. Drill two 3/16" mounting holes on top brace as shown in (A) making sure that at least one hole lines up with a wall stud. If the stud lines up near the center of the rack, drill a third mounting hole to make sure that you have at least two screws towards the ends of the desk.
2. Mark location of holes onto the wall making sure that the desk sits level.
3. Drill 5/16" hole in wall at location(s) marked in step 2 that are not on a wall stud. Insert wall anchors and screw tight to set anchors in wall. Remove screws from anchors.
4. Place desk in mounting position and fasten to wall anchor(s) with silver screw(s). Screw black screw into wall stud.
5. Check to make sure desk is securely fastened to wall.



Door stops are preset at factory for soft opening speed. If need be, the braking force can be adjusted with the screw (B): weaker by turning the screw in, stronger by turning the screw out.

**BE CAREFUL:** Do not touch brake rod (C). Keep it free from oil, grease and detergent.

If you have any questions, please call Wooden Mallet @ 605-225-5081