

Get **executive**
with this **decision**.

Executive Desk

Avenue Eight Collection | **416513**

Need help? Visit Sauder.com to view video assembly tips or chat with a live rep.
Prefer the phone? Call 1-800-523-3987.

Share your journey!



NOTE: THIS INSTRUCTION BOOKLET CONTAINS **IMPORTANT** SAFETY INFORMATION.

PLEASE READ AND KEEP FOR FUTURE REFERENCE.

English pg 1-40
Français pg 41-46
Español pg 47-52

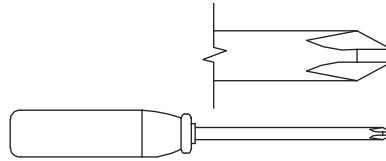
Lot # **372696** 05/19/15
Purchased: _____

Be sure to give us a ring before making any returns. 1-800-523-3987

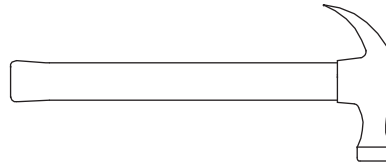
Table of Contents

Assembly Tools Required

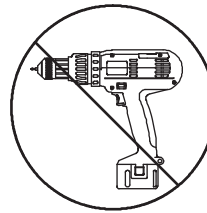
Part Identification	2-4
Hardware Identification	5-7
Assembly Steps	8-40
Français	41-46
Español	47-52
Safety	53-54
Warranty	55



No. 2 Phillips Screwdriver
Tip Shown Actual Size



Hammer
Not actual size 😊



Skip the power trip.
This time.

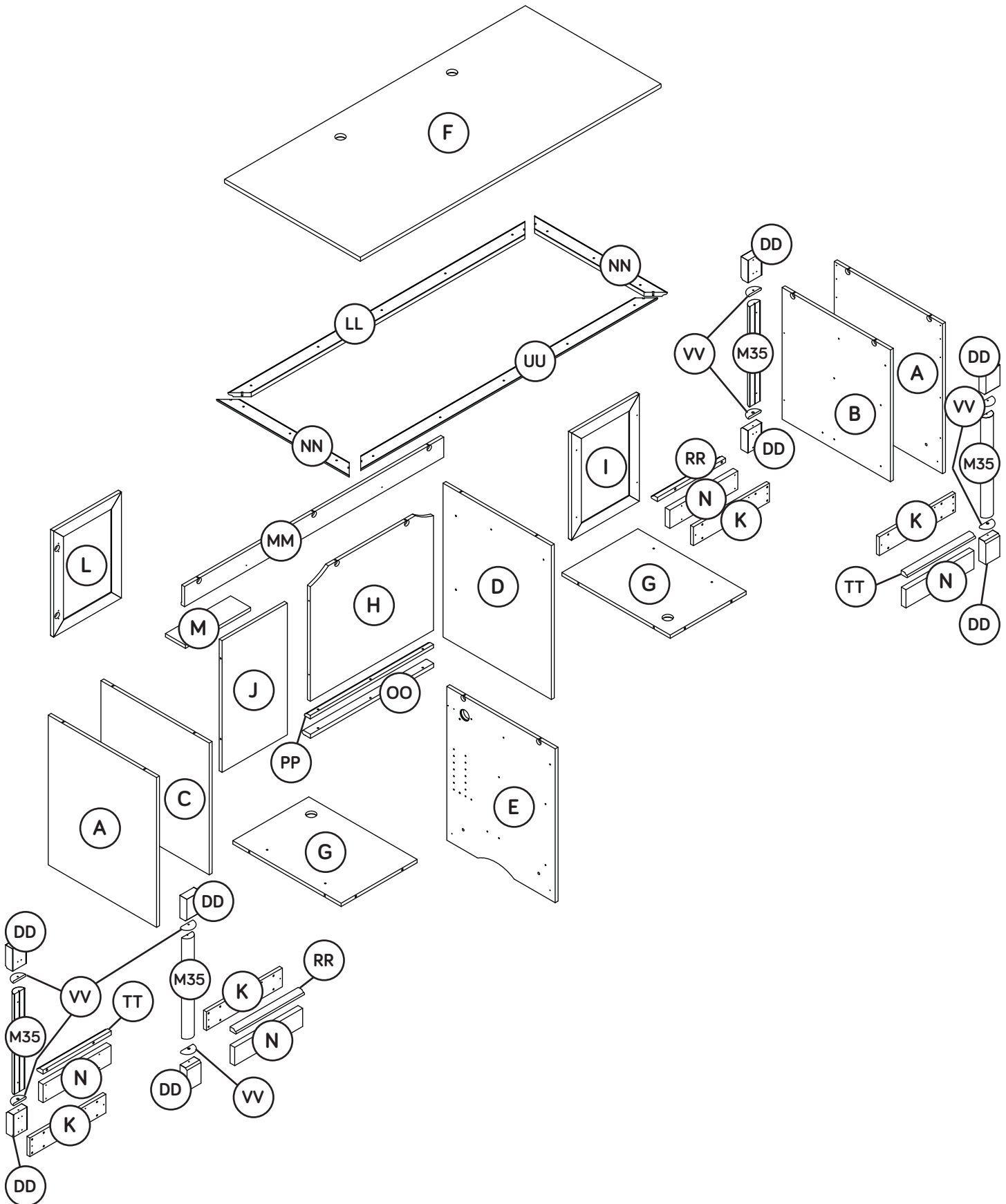
Part Identification

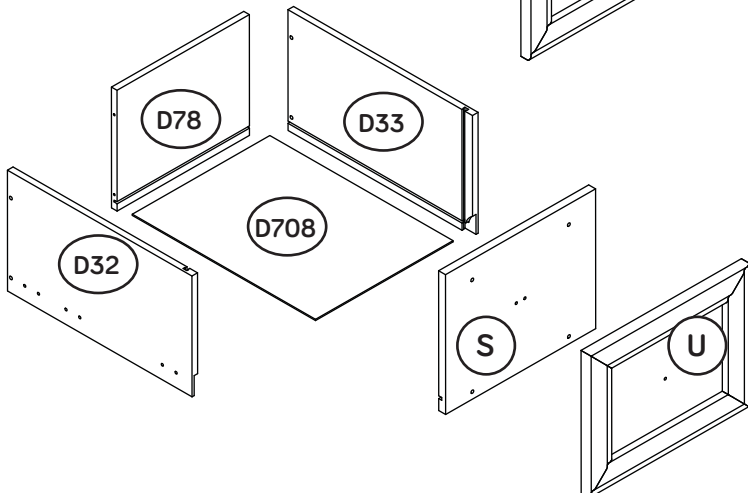
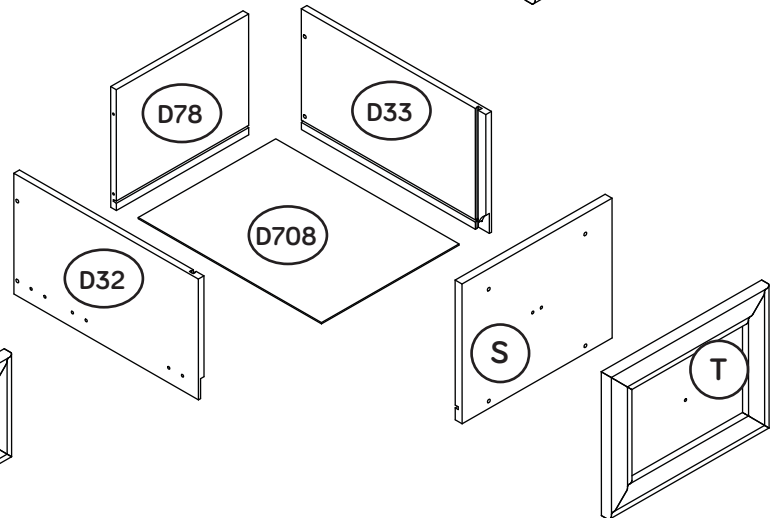
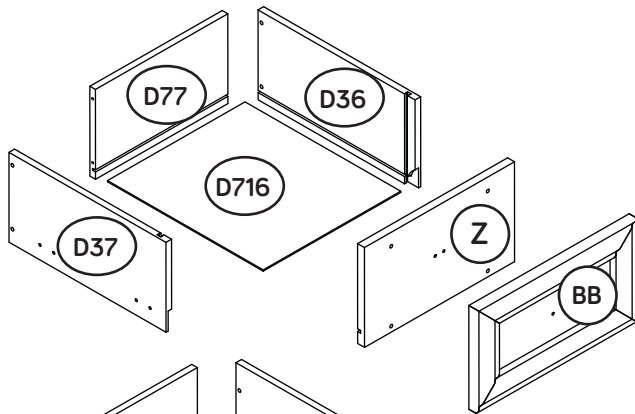
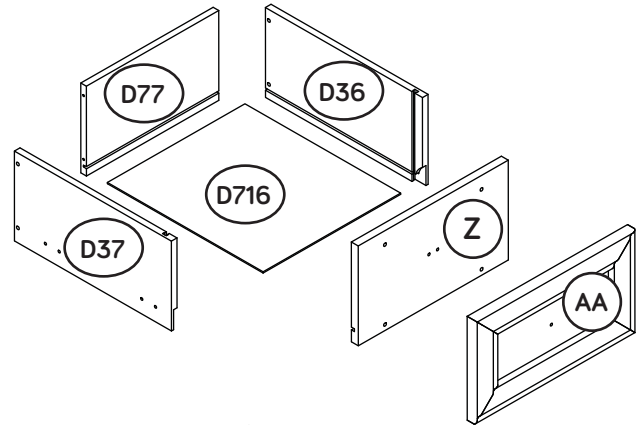
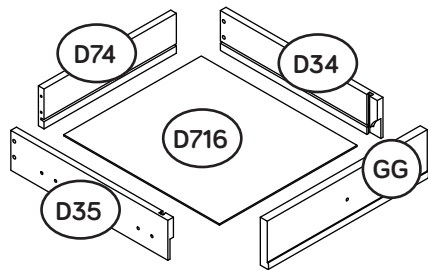
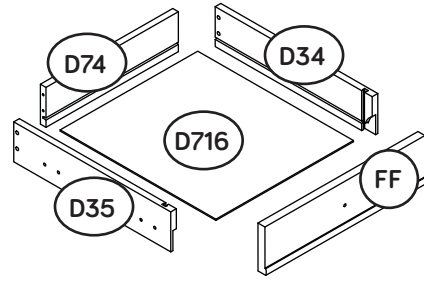
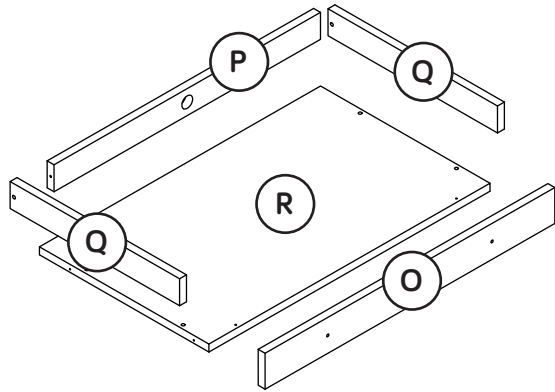
† While not all parts are labeled, some of the parts will have a label or an inked letter on the edge to help distinguish similar parts from each other. Use this part identification to help identify similar parts.

A	OUTER END (2)	Q	KEYBOARD SIDE (2)	GG	SMALL LEFT DRAWER FRONT (1)
B	RIGHT END (1)	R	KEYBOARD SHELF (1)	D74	SMALL DRAWER BACK (2)
C	LEFT END (1)	S	LARGE DRAWER BOX FRONT (2)	D34	SMALL RIGHT DRAWER SIDE (2)
D	RIGHT UPRIGHT (1)	T	LARGE RIGHT DRAWER FRONT (1)	D35	SMALL LEFT DRAWER SIDE (2)
E	LEFT UPRIGHT (1)	U	LARGE LEFT DRAWER FRONT (1)	D716	DRAWER BOTTOM (4)
F	TOP (1)	D78	LARGE DRAWER BACK (2)	LL	TOP REAR MOLDING (1)
G	BOTTOM (2)	D33	LARGE RIGHT DRAWER SIDE (2)	MM	UPPER BACK MOLDING (1)
H	MODESTY PANEL (1)	D32	LARGE LEFT DRAWER SIDE (2)	NN	SIDE MOLDING (2)
I	BACK (1)	D708	LARGE DRAWER BOTTOM (2)	OO	LOWER MOLDING (1)
J	PEDESTAL BACK (1)	Z	DRAWER BOX FRONT (2)	PP	UPPER MOLDING (1)
K	BRACE (4)	AA	RIGHT DRAWER FRONT (1)	M35	MOLDING (4)
L	DOOR (1)	BB	LEFT DRAWER FRONT (1)	RR	LEFT BOTTOM MOLDING (2)
M	ADJUSTABLE SHELF (1)	D77	DRAWER BACK (2)	D36	RIGHT DRAWER SIDE (2)
N	SKIRT (4)	DD	PLINTH (8)	TT	RIGHT BOTTOM MOLDING (2)
O	KEYBOARD FRONT (1)	D37	LEFT DRAWER SIDE (2)	UU	TOP FRONT MOLDING (1)
P	KEYBOARD BACK (1)	FF	SMALL RIGHT DRAWER FRONT (1)	VV	HALF DISK (8)

Part Identification

Now you know
our ABCs.

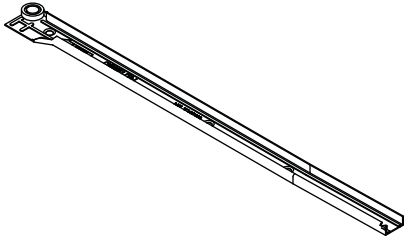




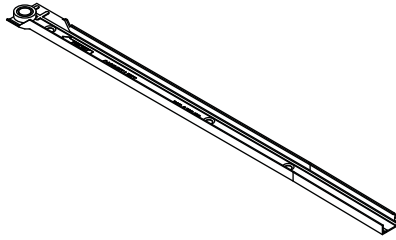
Hardware Identification

† Screws are shown actual size. You may receive extra hardware with your unit.

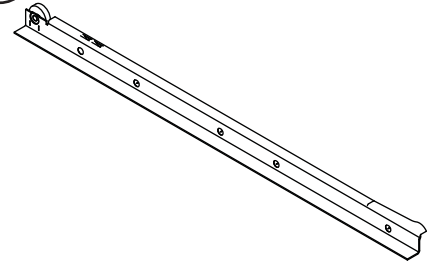
WW RIGHT CABINET RAIL - 1



XX LEFT CABINET RAIL - 1

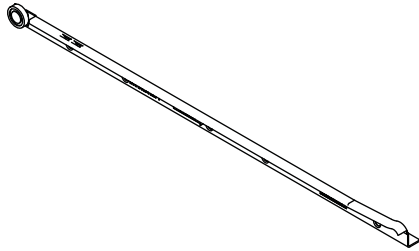


YY RIGHT DRAWER SLIDE - 1

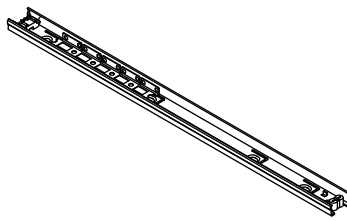


(EXTENSION SET SHOWN SEPARATED)

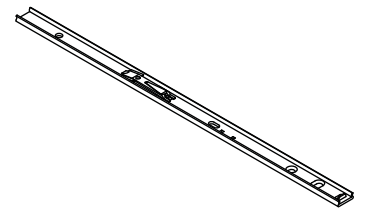
ZZ LEFT DRAWER SLIDE - 1



AAA NARROW EXTENSION RAIL - 8



BBB NARROW EXTENSION SLIDE - 8

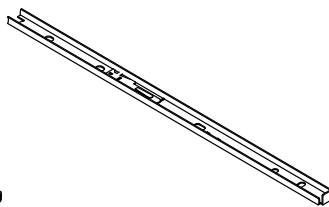


(EXTENSION SET SHOWN SEPARATED)

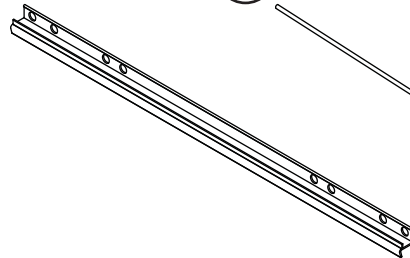
CCC WIDE EXTENSION RAIL - 4



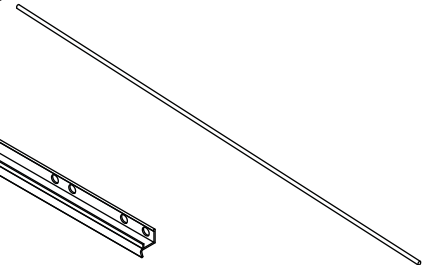
DDD WIDE EXTENSION SLIDE - 4



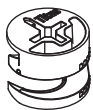
6B FILE GLIDE - 4



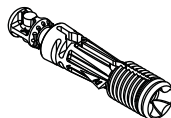
8B FILE ROD - 4



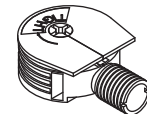
1F HIDDEN CAM - 8



2F CAM DOWEL - 8



7F TWIST-LOCK® FASTENER - 25



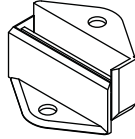
Hardware Identification

↑ Screws are shown actual size. You may receive extra hardware with your unit.

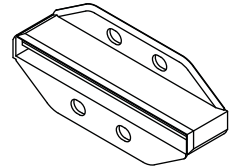
17F MOLDING CONNECTOR - 4



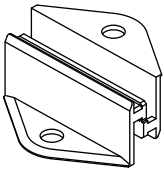
6G SMALL DRAWER FRONT BRACKET - 2



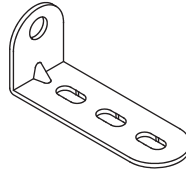
9G DRAWER FRONT BRACKET - 2



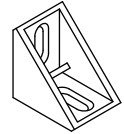
10G LARGE DRAWER FRONT BRACKET - 4



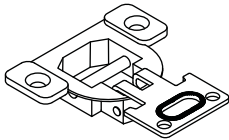
19G METAL BRACKET - 2



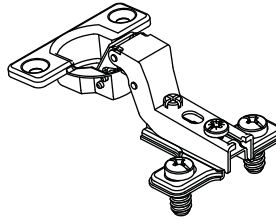
27G ANGLE BRACKET - 40



12H KEYBOARD HINGE - 2



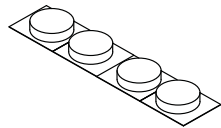
14H HINGE - 2



42K KNOB - 8



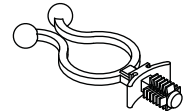
1M FELT DISC CARD - 1



1P GROMMET CAP - 2



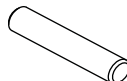
9P CORD CLIP - 1



10P GROMMET - 3



1R METAL PIN - 8



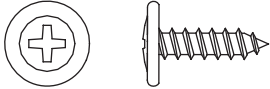
2R RUBBER SLEEVE - 4



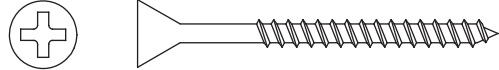
Hardware Identification

† Screws are shown actual size. You may receive extra hardware with your unit.

1S BLACK 9/16" LARGE HEAD SCREW - 106



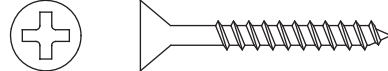
2S BLACK 1-7/8" FLAT HEAD SCREW - 8



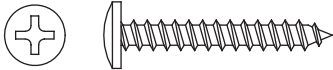
3S GOLD 5/16" FLAT HEAD SCREW - 48



7S BLACK 1-1/4" FLAT HEAD SCREW - 46



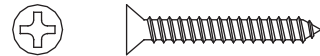
9S BLACK 1-1/8" PAN HEAD SCREW - 16



11S BLACK 1/2" FLAT HEAD SCREW - 4



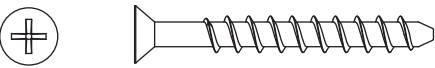
18S BROWN 1" FLAT HEAD SCREW - 12



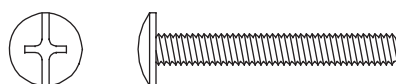
23S SILVER 5/8" FLAT HEAD SCREW - 4



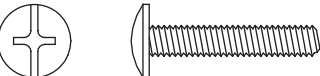
30S BLACK 1-9/16" FLAT HEAD SCREW - 24



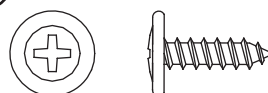
35S SILVER 1-1/4" MACHINE SCREW - 4



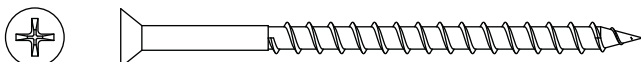
37S BLACK 7/8" MACHINE SCREW - 4



54S SILVER 9/16" LARGE HEAD SCREW - 2



100S BLACK 2-3/4" FLAT HEAD SCREW - 3



Step 1

Look for this icon. It means a video assembly tip is available at www.sauder.com/services/tips

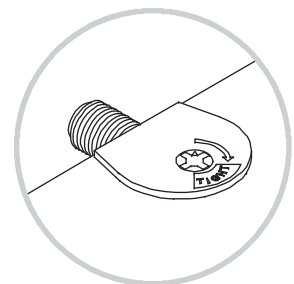
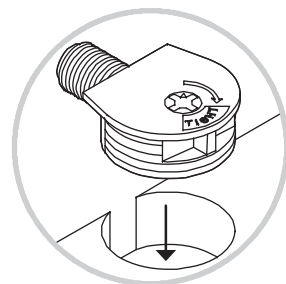
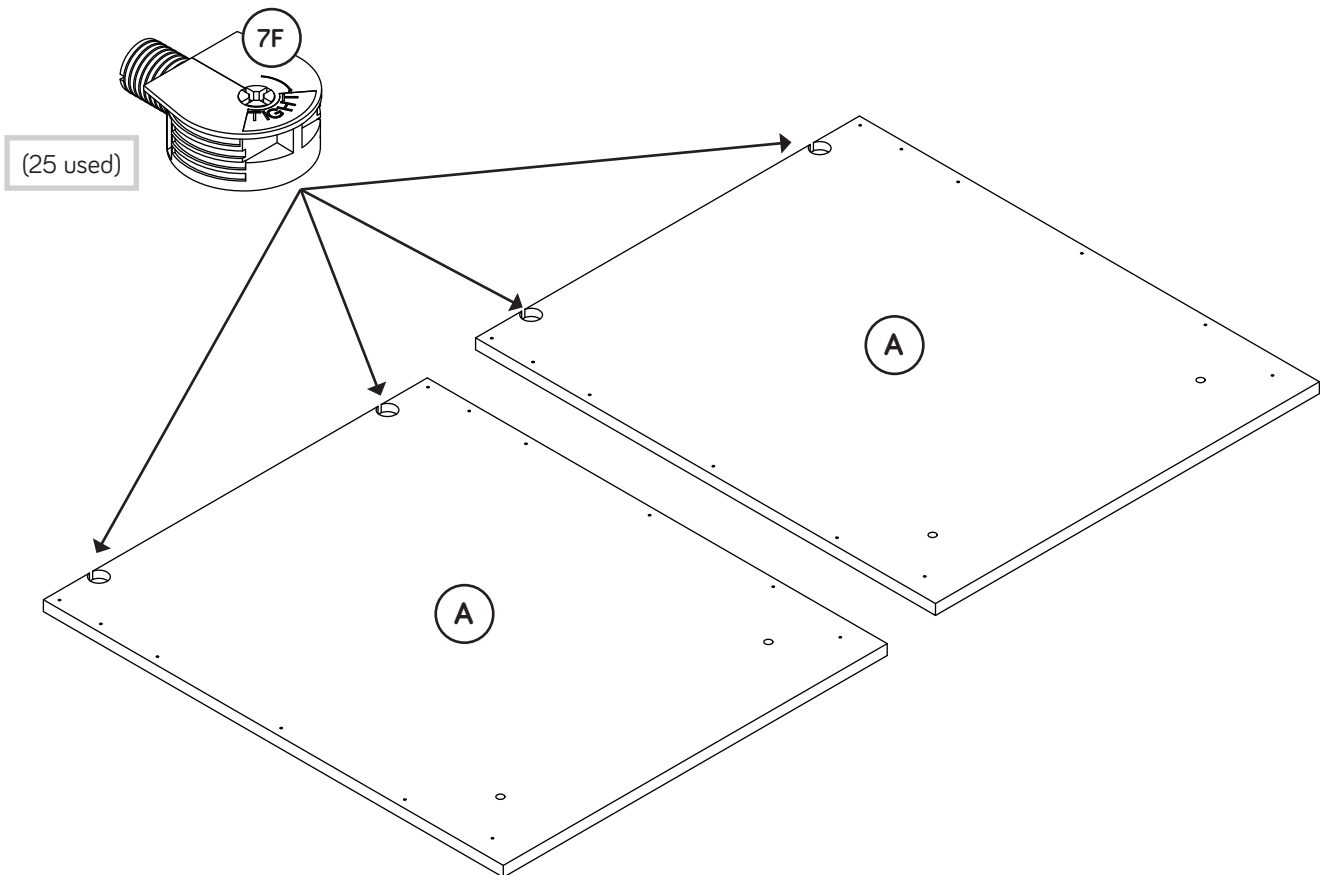


- Assemble your unit on a carpeted floor or on the empty carton to avoid scratching your unit or the floor.
- To begin assembly, push a SAUDER TWIST-LOCK® FASTENER (7F) into the large holes in the OUTER ENDS (A).
- Repeat this step for the ENDS (B and C), UPRIGHTS (D and E), BOTTOMS (G), MODESTY PANEL (H), and UPPER BACK MOLDING (MM).

Scan this QR code or go to this address: <http://qr.sauder.com/?ID=1167> to watch a video on how to assemble your unit.



Do not tighten the TWIST-LOCK® FASTENERS in this step.

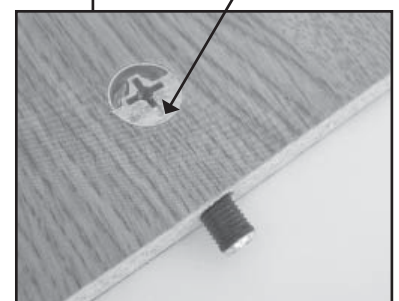
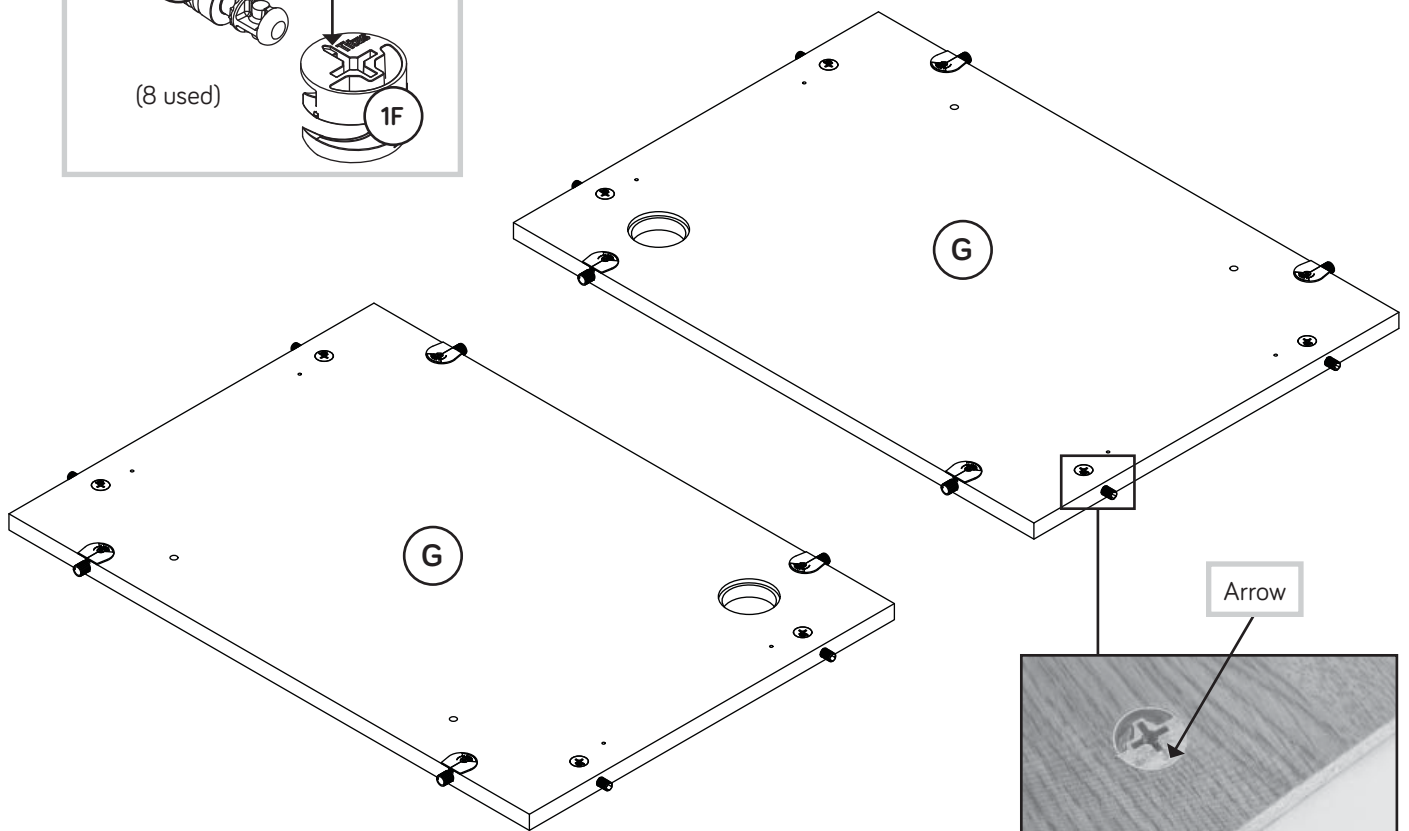
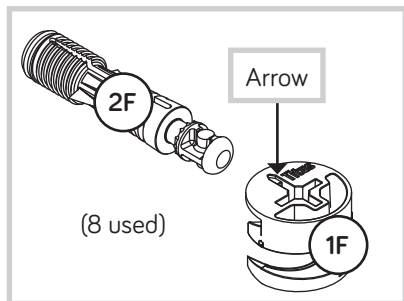


Step 2

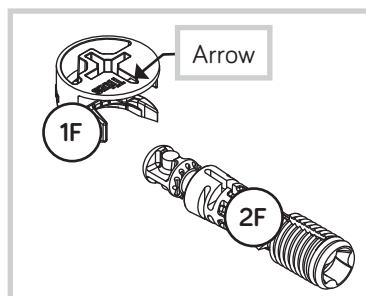


- Push eight HIDDEN CAMS (1F) into the BOTTOMS (G).
Then, insert the metal end of a CAM DOWEL (2F) into each HIDDEN CAM.

Do not tighten the HIDDEN CAMS in this step.



Insert the metal end of the CAM DOWEL into the HIDDEN CAM.

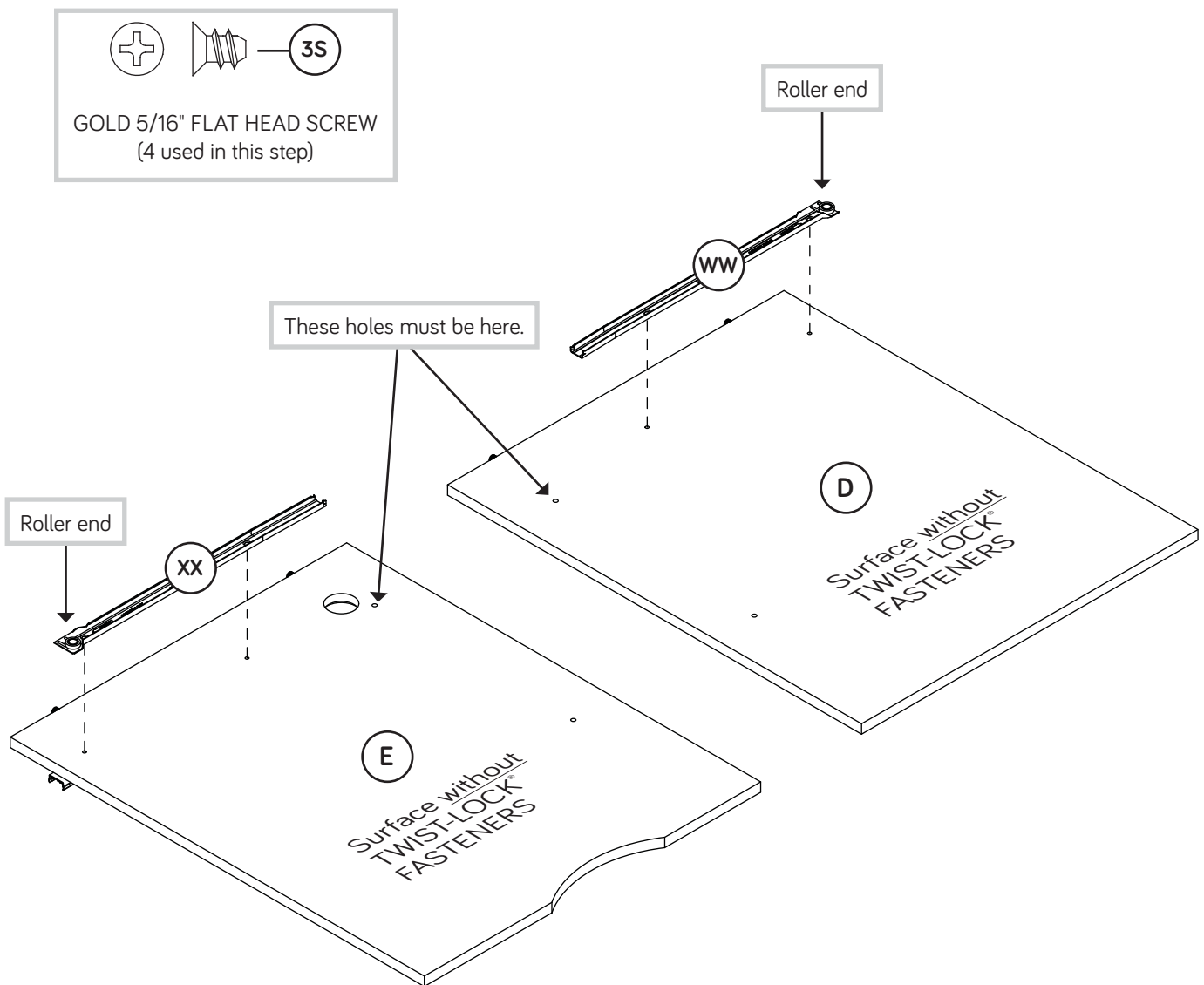


Step 5



Fasten the CABINET RAILS (WW and XX) to the other surface of the UPRIGHTS (D and E). Use four GOLD 5/16" FLAT HEAD SCREWS (3S).

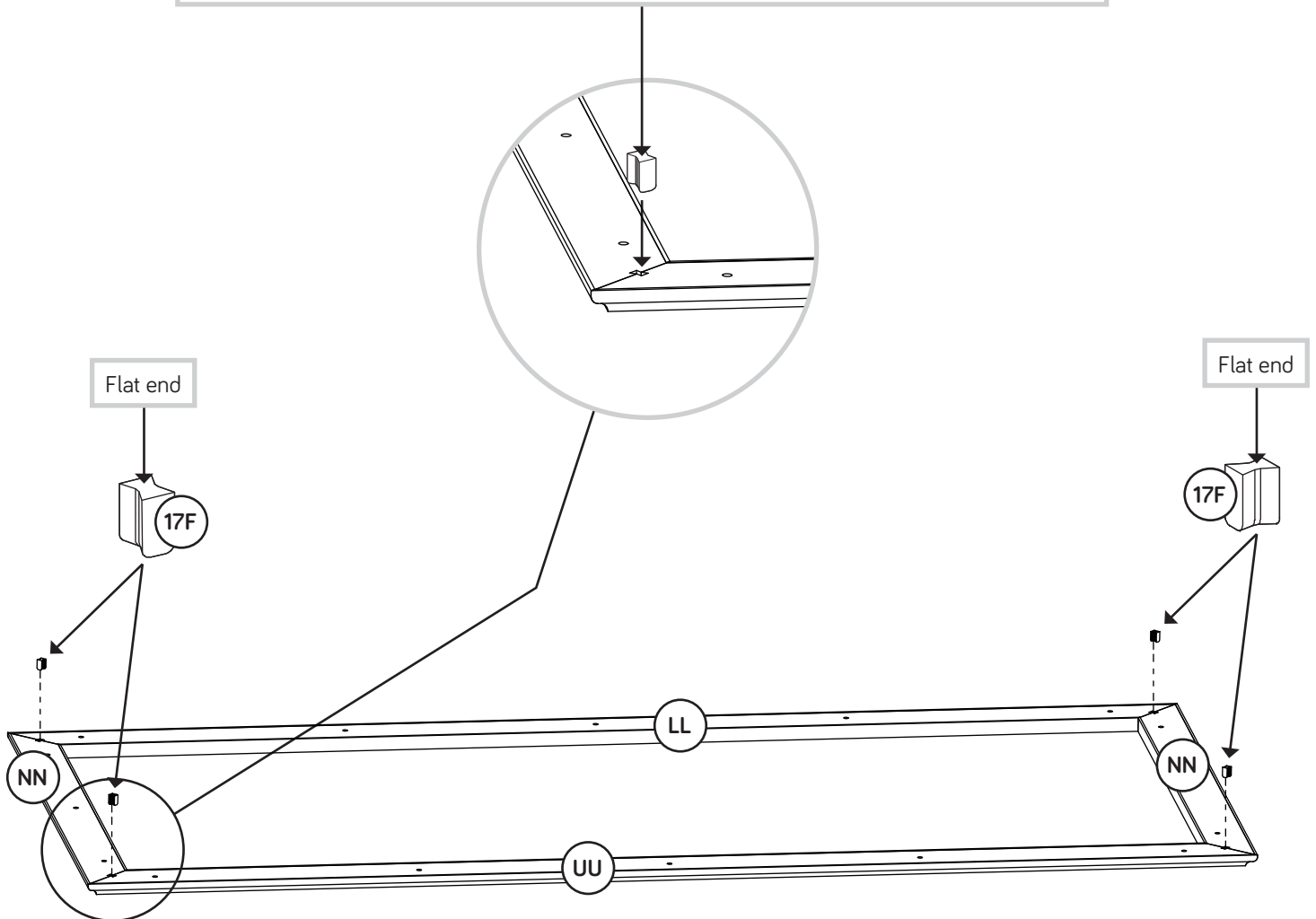
NOTE: The CABINET RAILS are marked "CABINET RIGHT" and "CABINET LEFT" for easy identification.



Step 6

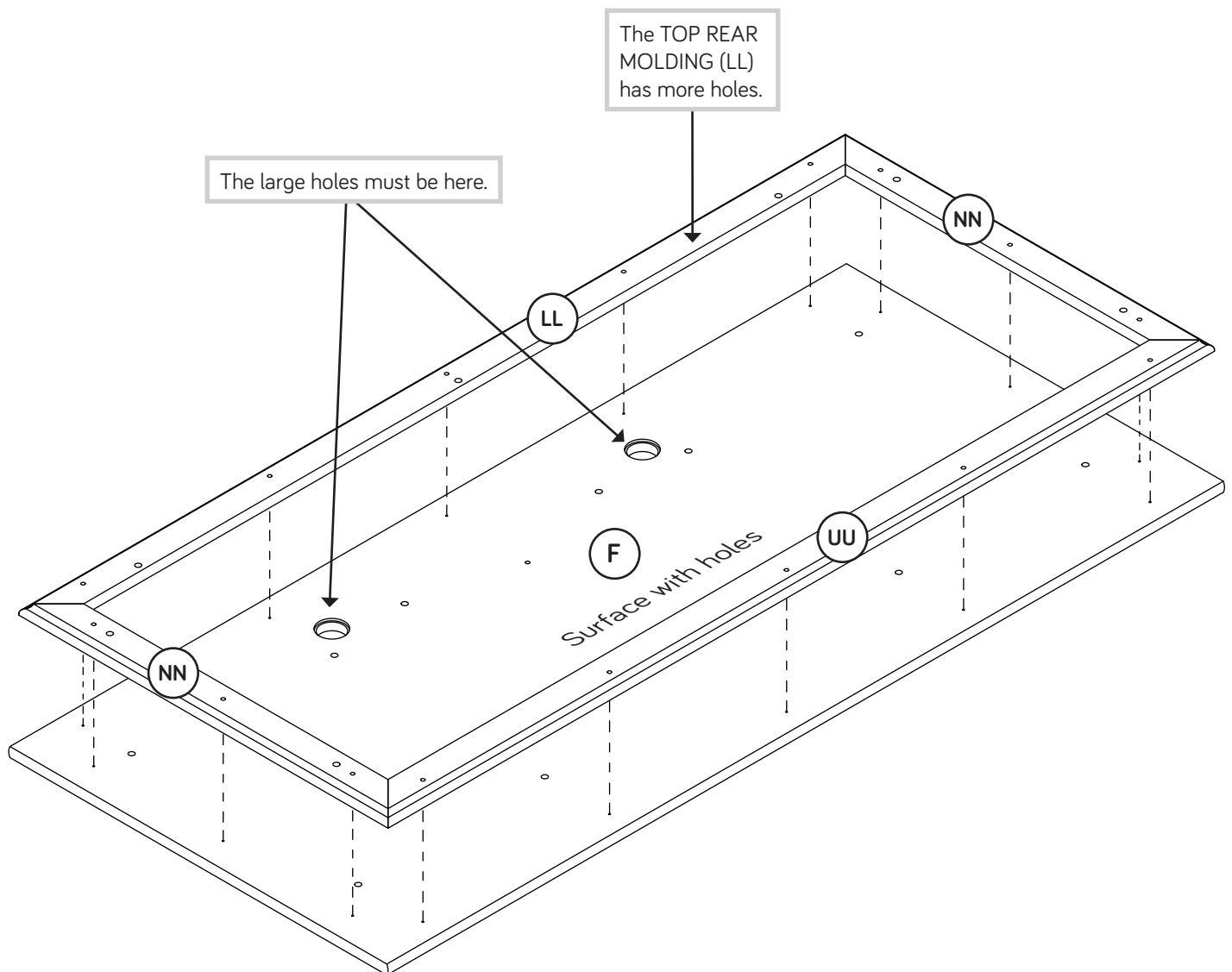
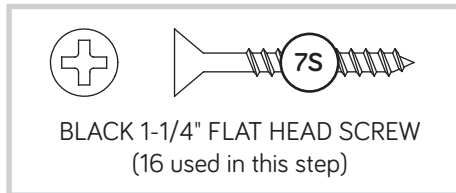
- Tap four MOLDING CONNECTORS (17F) into the notches in the TOP MOLDINGS (LL and UU) and SIDE MOLDINGS (NN).

Use your hammer to tap the MOLDING CONNECTORS (17F) into the notches in the MOLDINGS.



Step 7

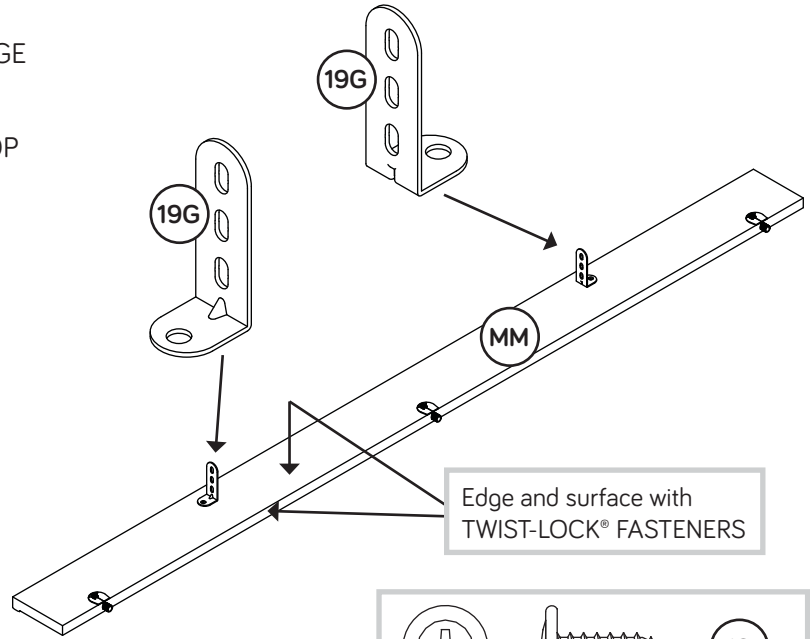
- Fasten the TOP MOLDINGS (LL and UU) and SIDE MOLDINGS (NN) to the TOP (F). Use sixteen BLACK 1-1/4" FLAT HEAD SCREWS (7S).



Step 8



- Fasten the METAL BRACKETS (19G) to the UPPER BACK MOLDING (MM). Use two BLACK 9/16" LARGE HEAD SCREWS (1S).
- Fasten the UPPER BACK MOLDING (MM) to the TOP REAR MOLDING (LL) on the TOP (F). Tighten three TWIST-LOCK® FASTENERS.

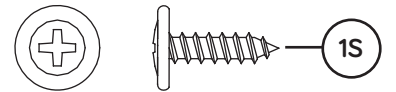


How to use the SAUDER TWIST-LOCK® FASTENER

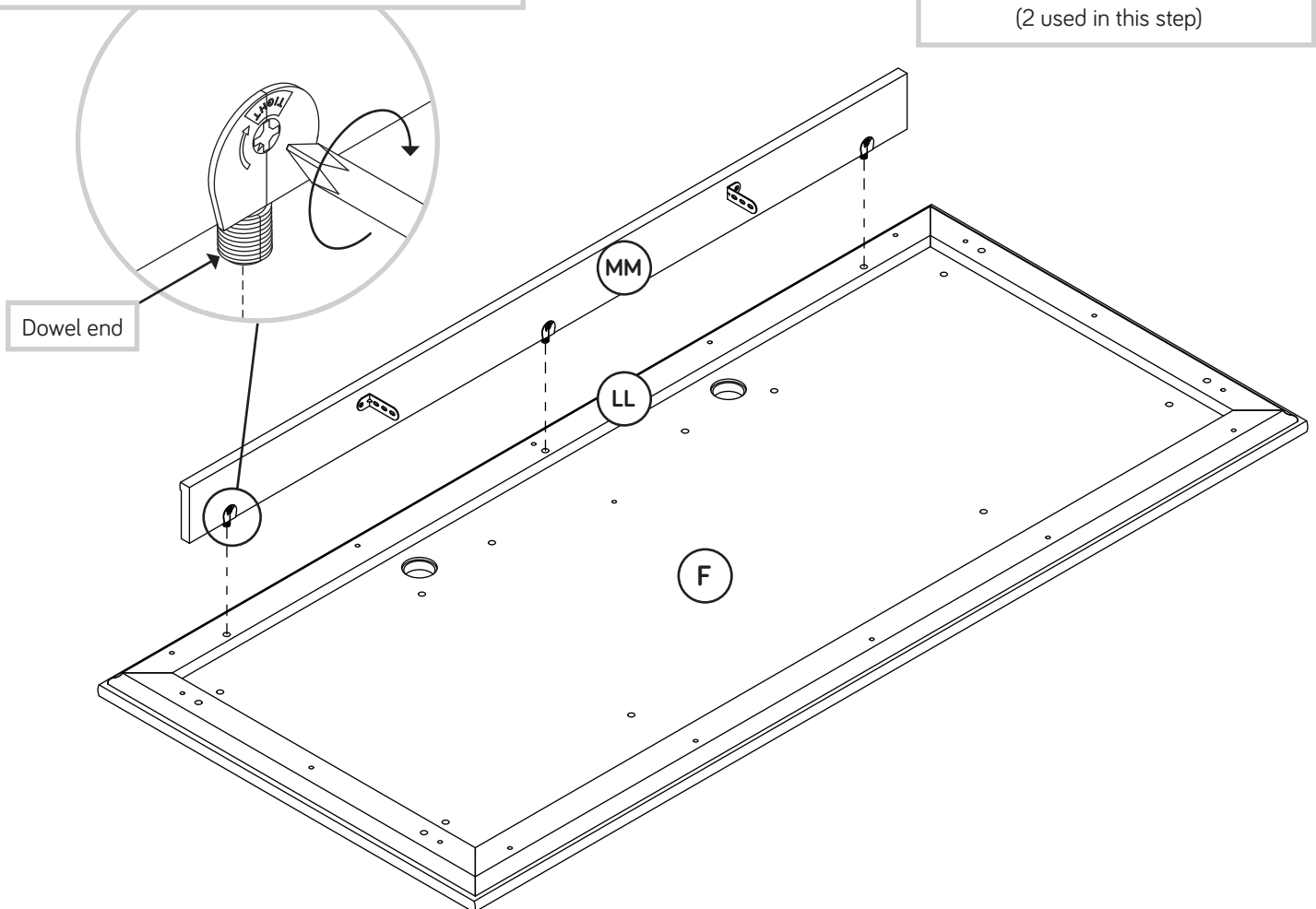
1. Insert the dowel end of the FASTENER into the hole of the adjoining part.

NOTE: The dowel end of the FASTENER must remain fully inserted in the hole of the adjoining part while locking the FASTENER.

2. Tighten the FASTENER with a Phillips screwdriver as tight as possible.

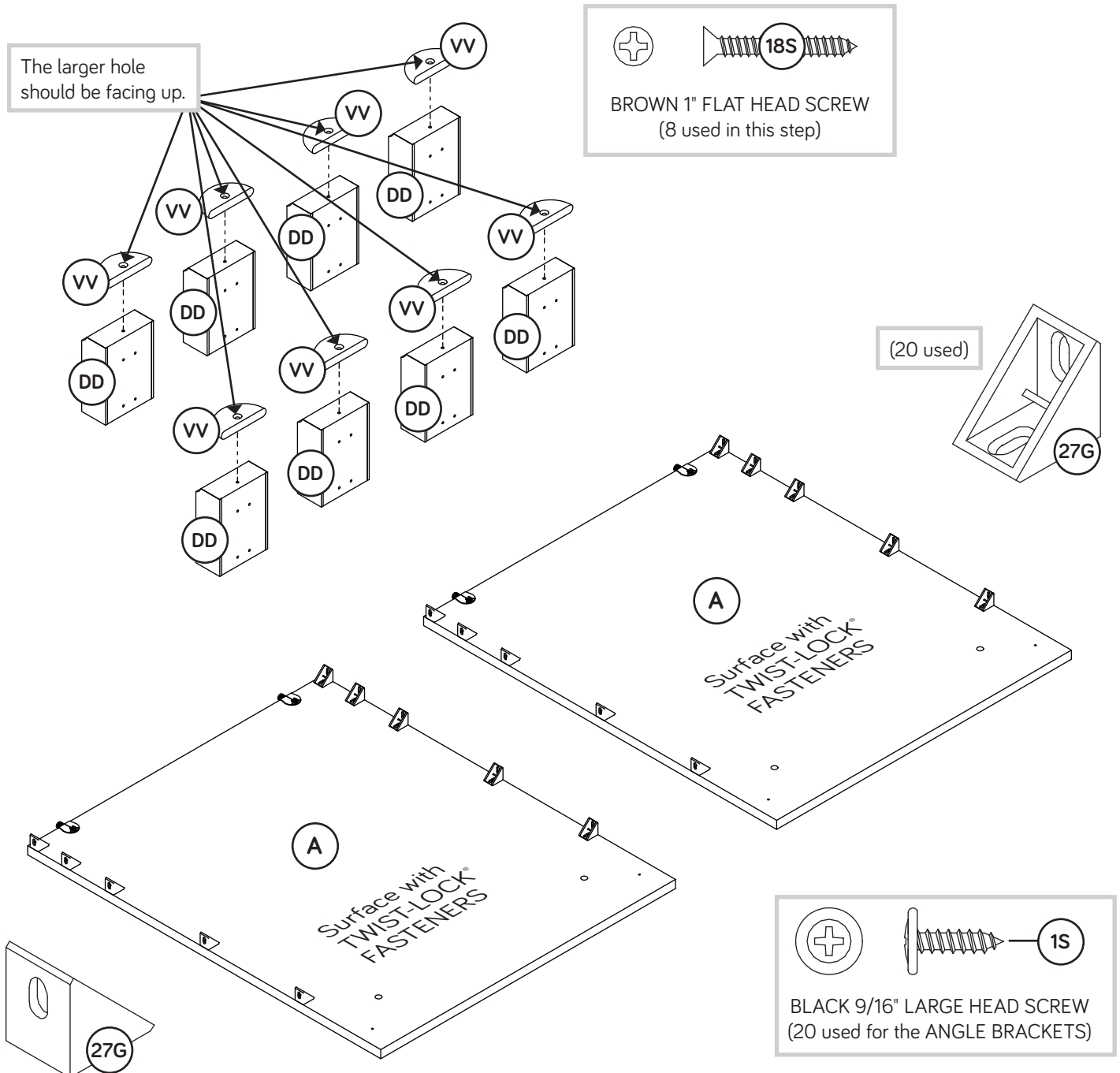


BLACK 9/16" LARGE HEAD SCREW
(2 used in this step)



Step 9

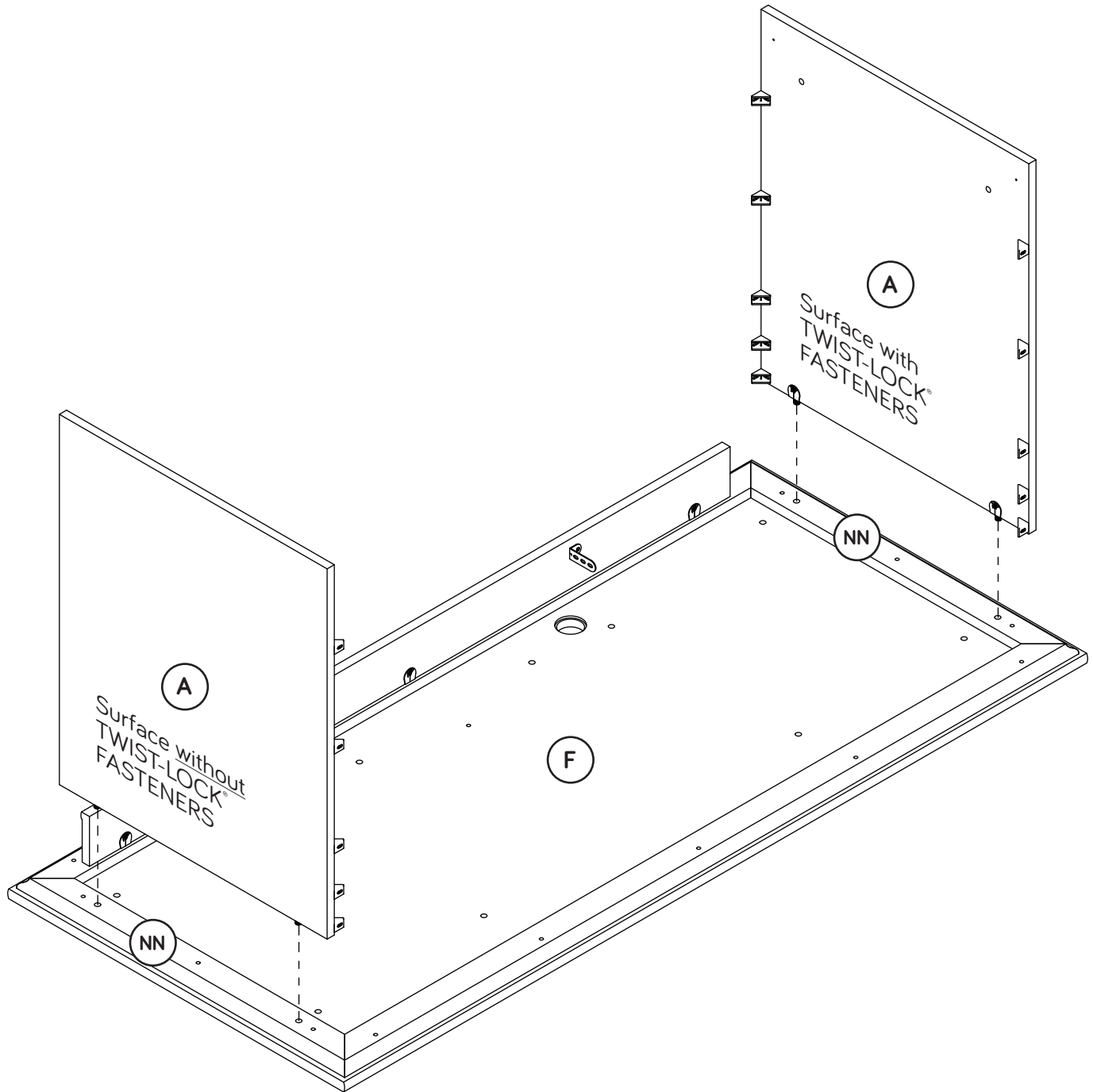
- Fasten the HALF DISKS (VV) to the PLINTHS (DD). Use eight BROWN 1" FLAT HEAD SCREWS (18S).
- Fasten twenty ANGLE BRACKETS (27G) to the OUTER ENDS (A). Use twenty BLACK 9/16" LARGE HEAD SCREWS (1S).
- NOTE:** Be sure the edges of the ANGLE BRACKETS are even with the edges of the OUTER ENDS.



Step 10



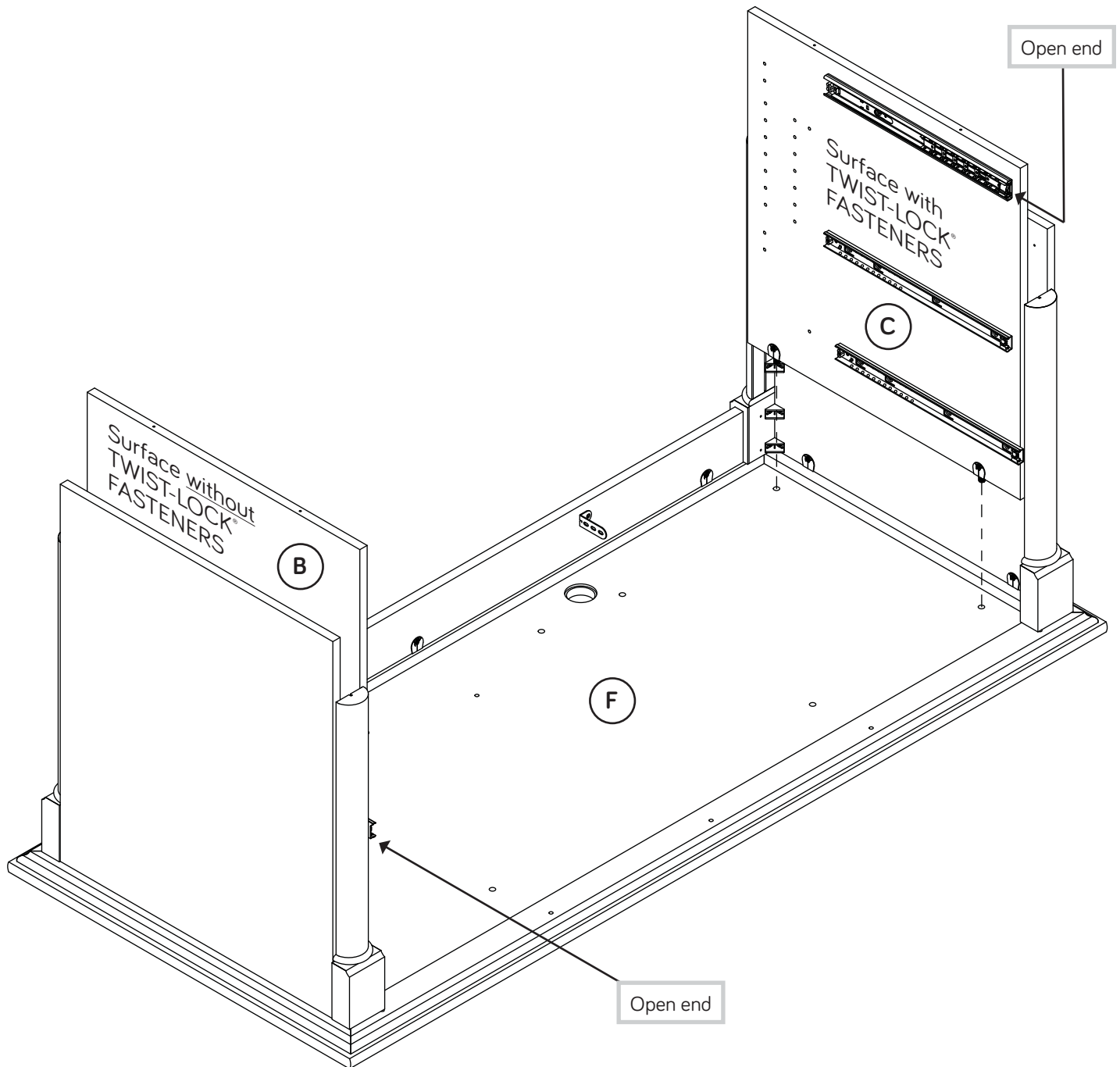
- Fasten the OUTER ENDS (A) to the SIDE MOLDINGS (NN) on the TOP (F). Tighten four TWIST-LOCK® FASTENERS.



Step 12



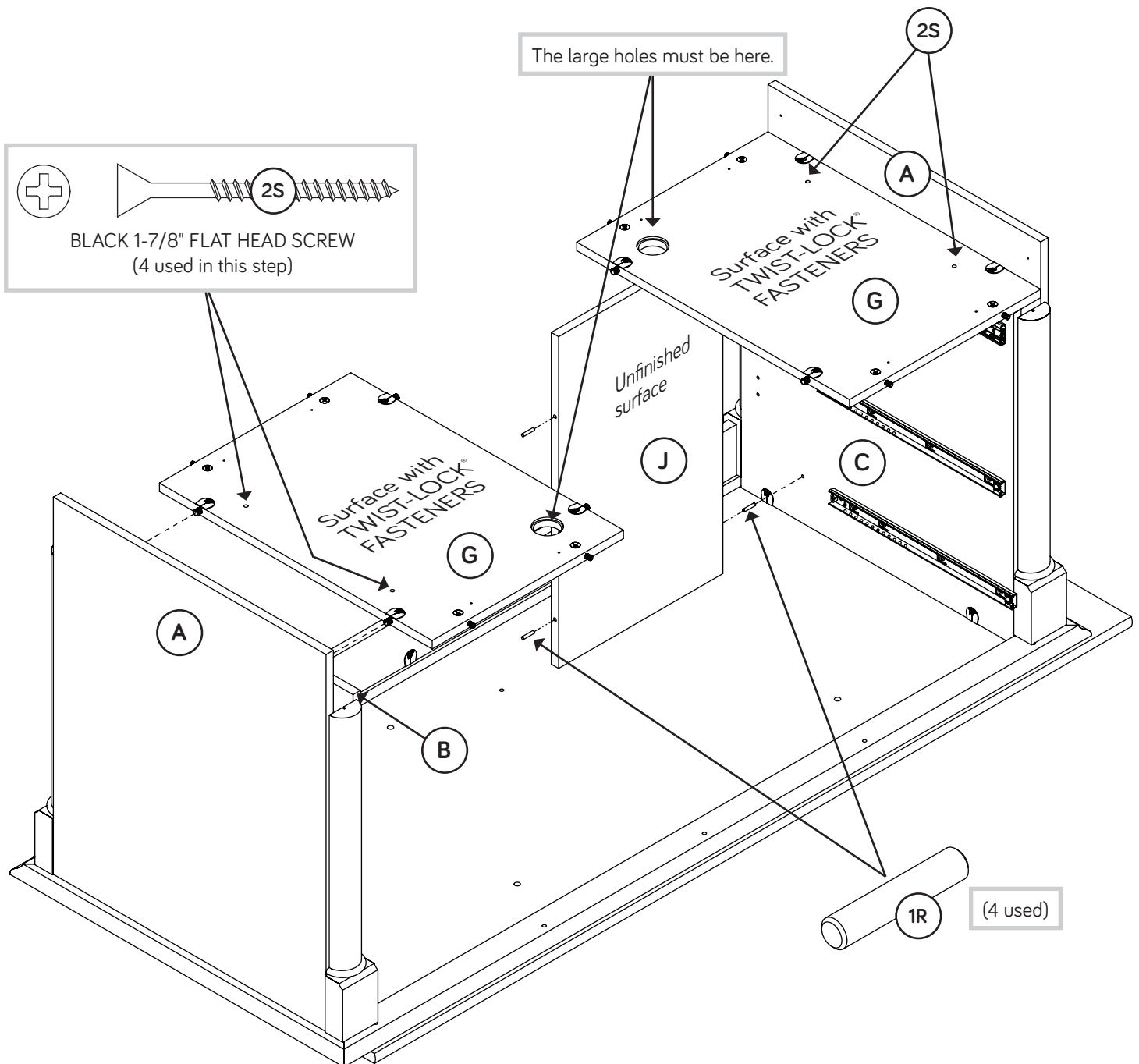
- Fasten the ENDS (B and C) to the TOP (F). Tighten four TWIST-LOCK® FASTENERS.



Step 13



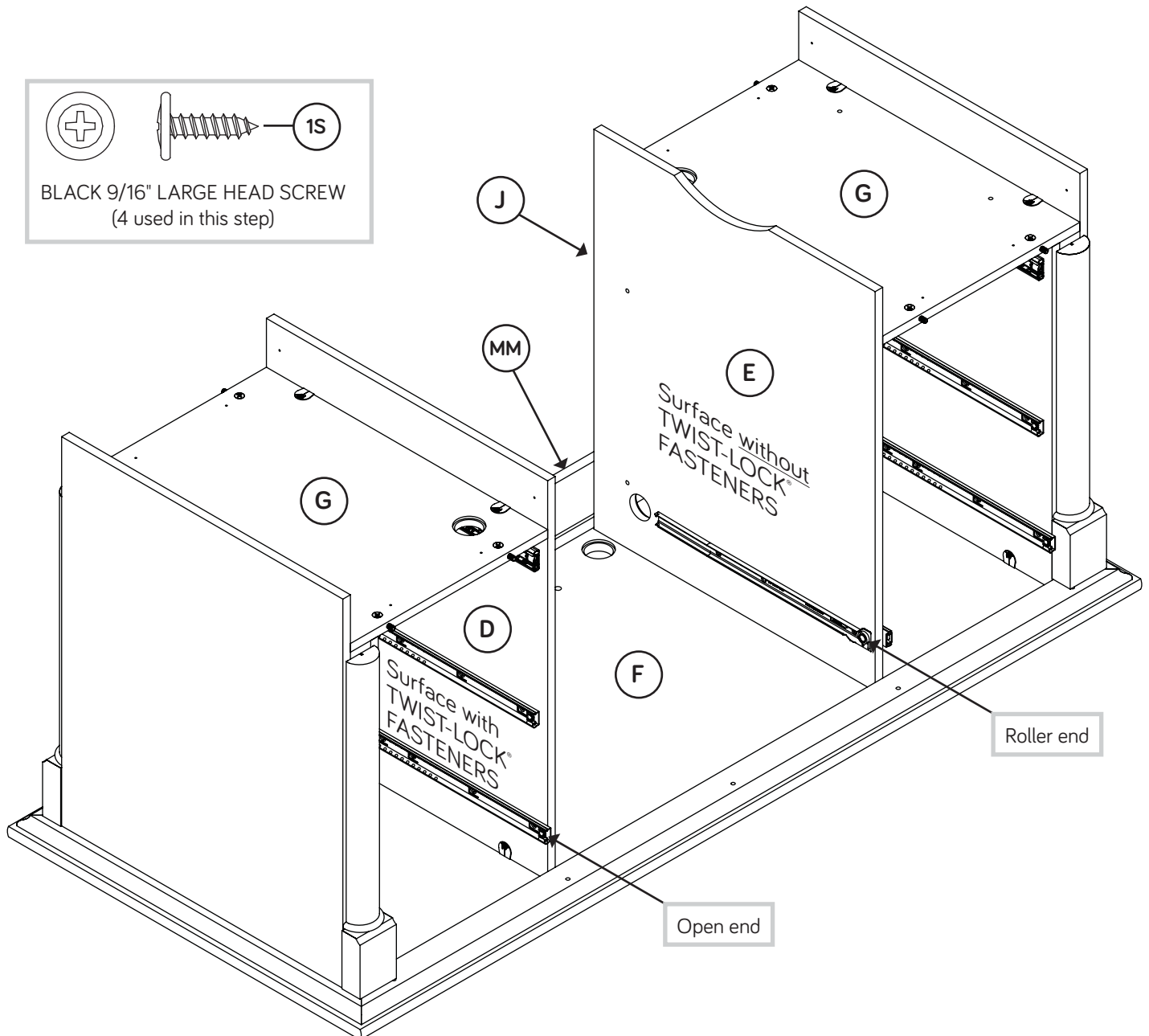
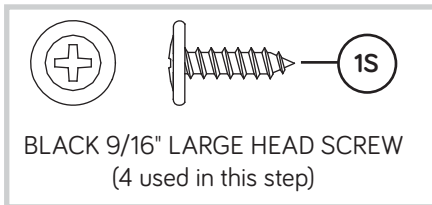
- ✚ Fasten the BOTTOMS (G) to the OUTER ENDS (A). Tighten four TWIST-LOCK® FASTENERS.
- ✚ Fasten the BOTTOMS (G) to the ENDS (B and C). Use four BLACK 1-7/8" FLAT HEAD SCREWS (2S).
- ✚ Insert four METAL PINS (1R) into the PEDESTAL BACK (J).
- ✚ Insert the METAL PINS (1R) in one end of the PEDESTAL BACK (J) into the holes in the LEFT END (C).



Step 14



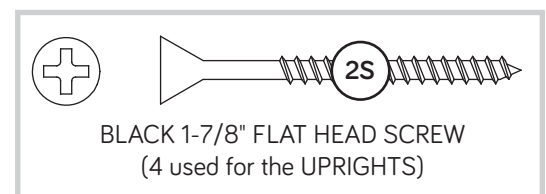
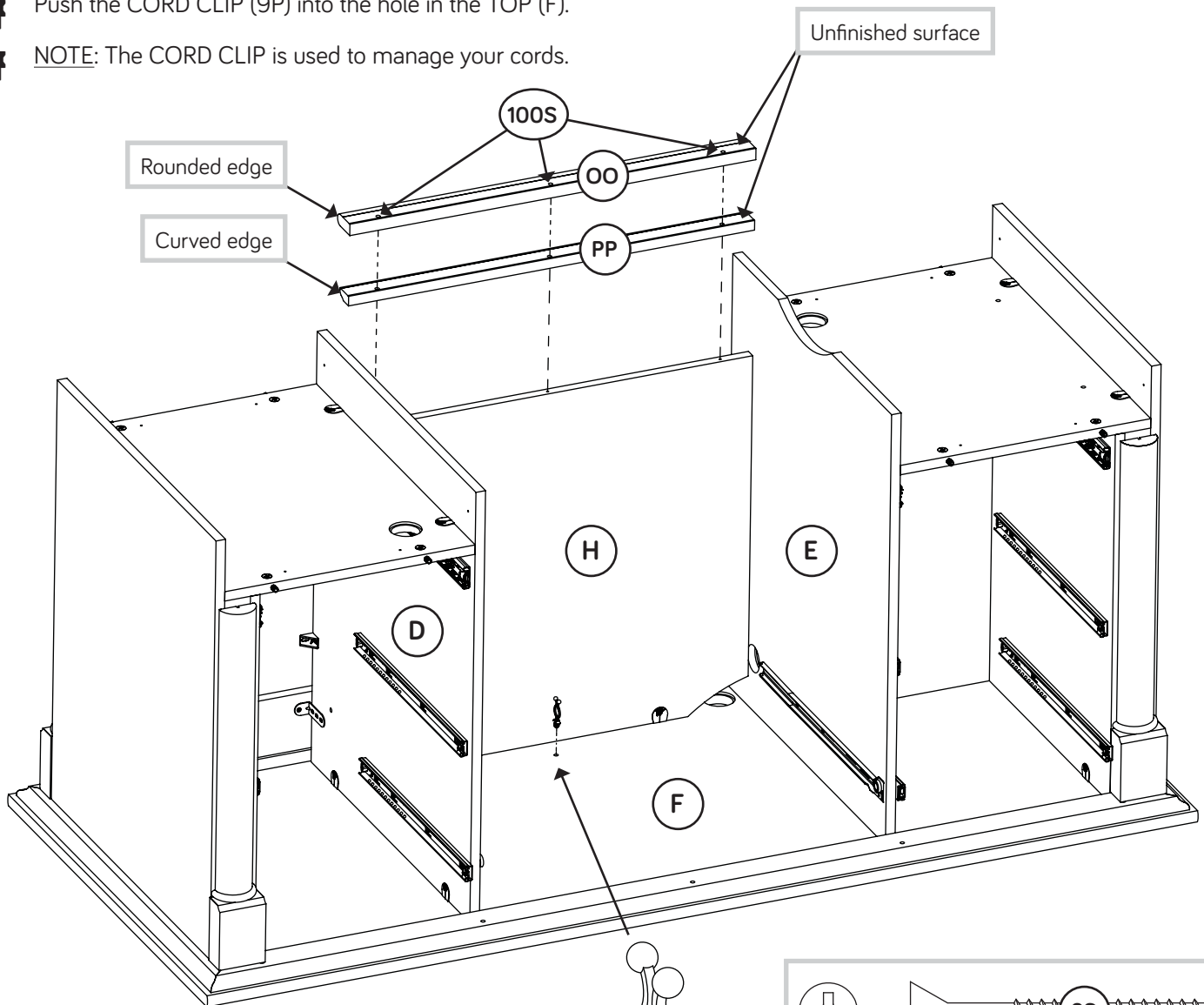
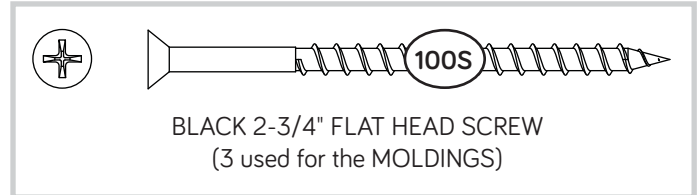
- Fasten the UPRIGHTS (D and E) to the TOP (F) and BOTTOMS (G). Tighten eight TWIST-LOCK® FASTENERS.
- NOTE:** Be sure the METAL PINS in the PEDESTAL BACK (J) insert into the holes in the LEFT UPRIGHT (E).
- Fasten the UPPER BACK MOLDING (MM) to the UPRIGHTS (D and E). Use four BLACK 9/16" LARGE HEAD SCREWS (1S) through the METAL BRACKETS on the UPPER BACK MOLDING and into the UPRIGHTS.



Step 15



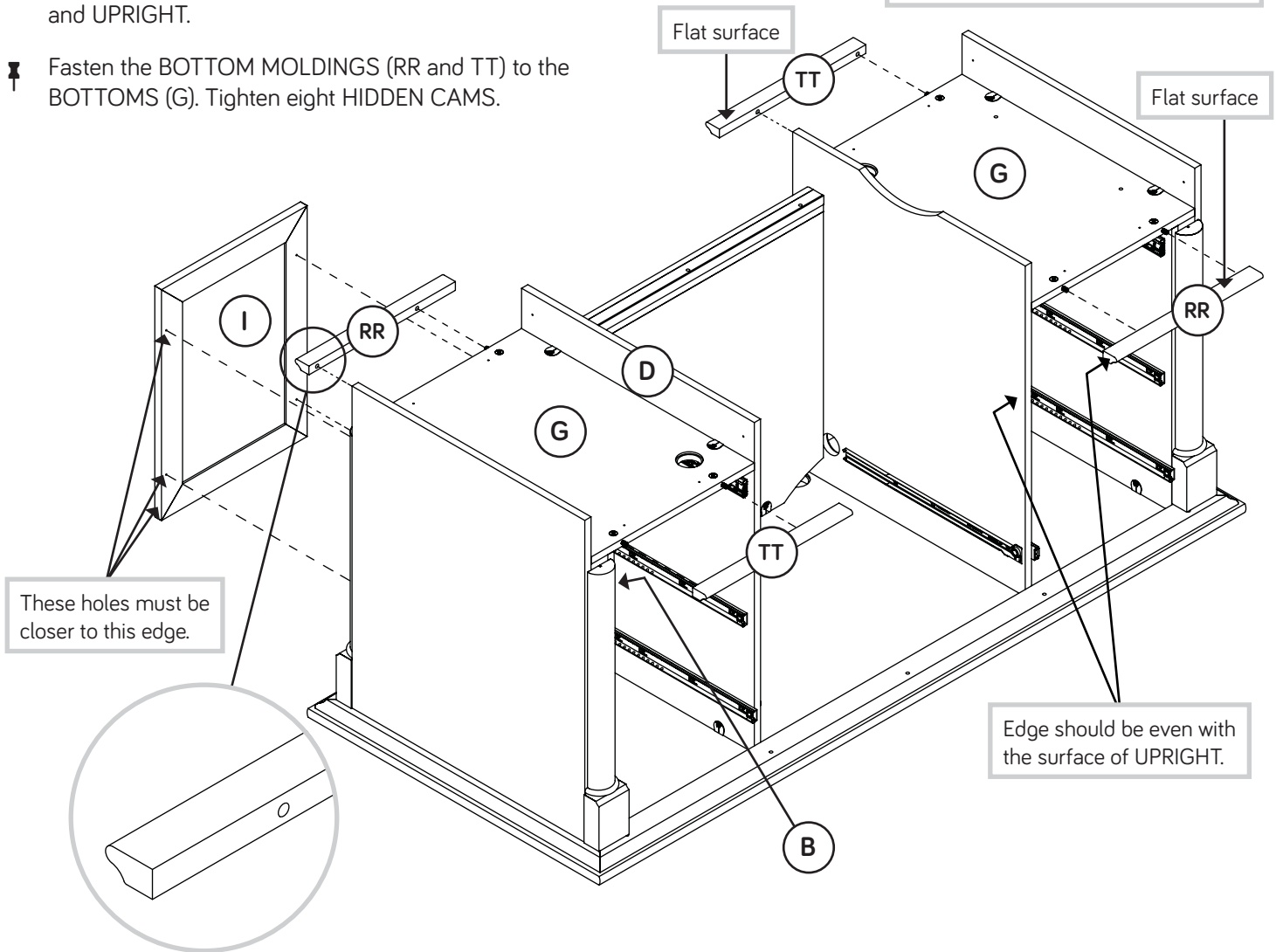
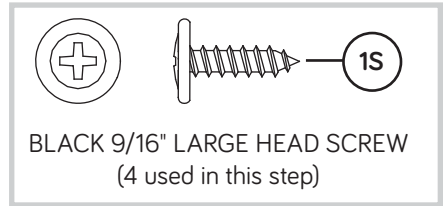
- Fasten the MODESTY PANEL (H) to the TOP (F). Tighten two TWIST-LOCK® FASTENERS.
- Fasten the MODESTY PANEL (H) to the UPRIGHTS (D and E). Use four BLACK 1-7/8" FLAT HEAD SCREWS (2S).
- Fasten the MOLDINGS (OO and PP) to the MODESTY PANEL. Use three BLACK 2-3/4" FLAT HEAD SCREWS (100S) through the LOWER MOLDING, through the UPPER MOLDING, and into the MODESTY PANEL.
- Push the CORD CLIP (9P) into the hole in the TOP (F).
- NOTE:** The CORD CLIP is used to manage your cords.



Step 16



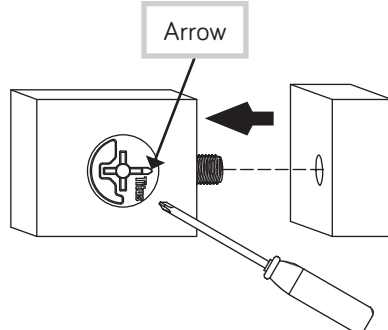
- 🔧 **NOTE:** You may need someone's help to hold the BACK in place while fastening to your unit.
- 🔧 Fasten the BACK (I) to the RIGHT END (B) and RIGHT UPRIGHT (D). Use four BLACK 9/16" LARGE HEAD SCREWS (1S) through the ANGLE BRACKETS on the END and UPRIGHT.
- 🔧 Fasten the BOTTOM MOLDINGS (RR and TT) to the BOTTOMS (G). Tighten eight HIDDEN CAMS.



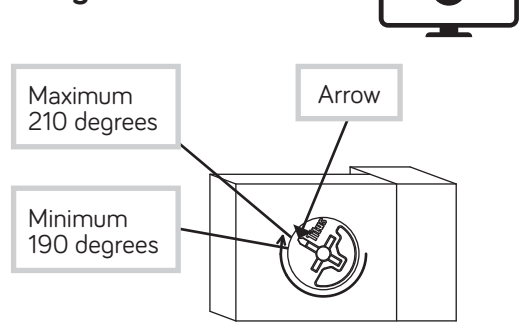
⚠️ Caution

Risk of damage or injury. HIDDEN CAMS must be completely tightened. HIDDEN CAMS that are not completely tightened may loosen, and parts may separate. To completely tighten:

Start

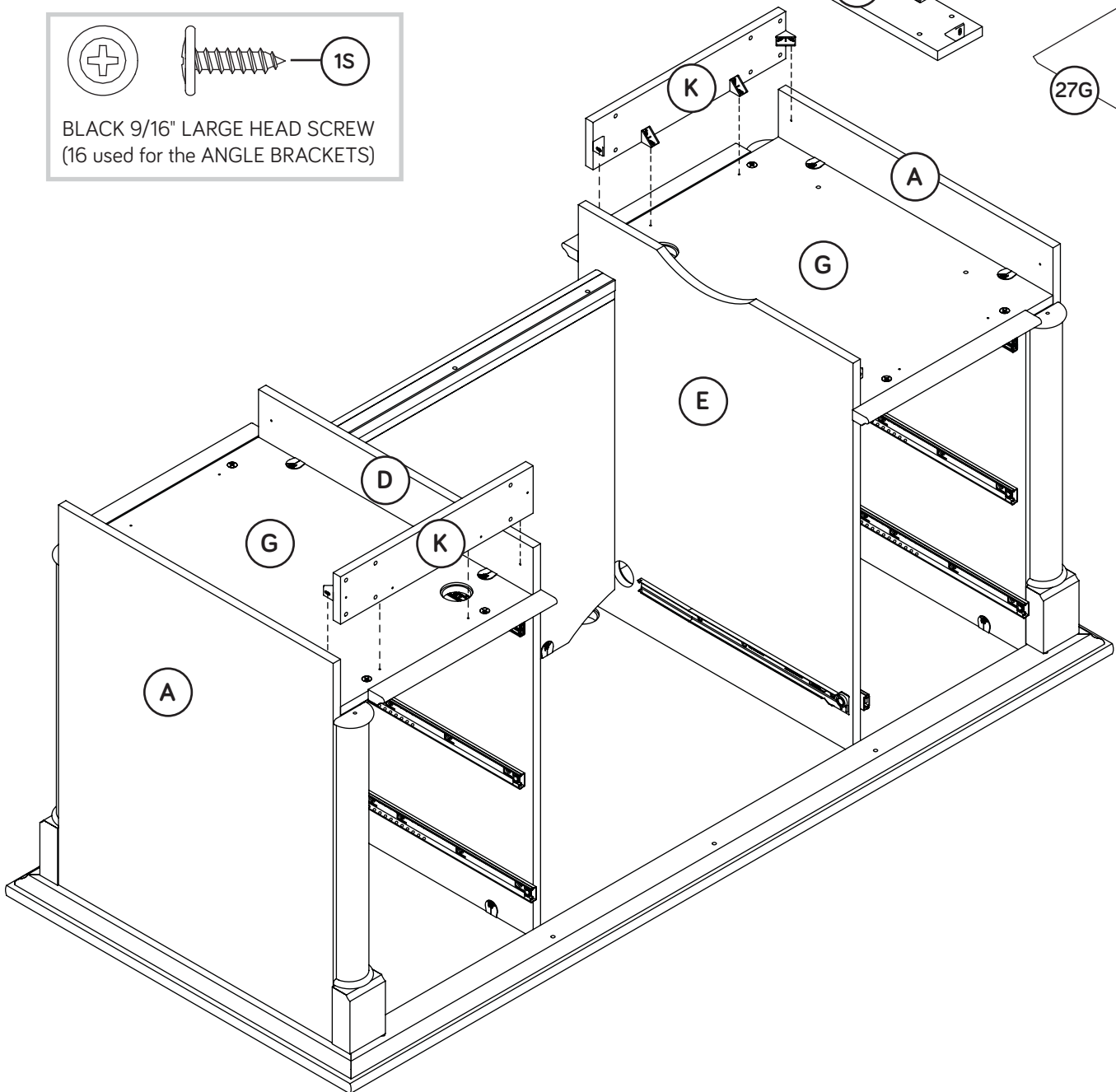
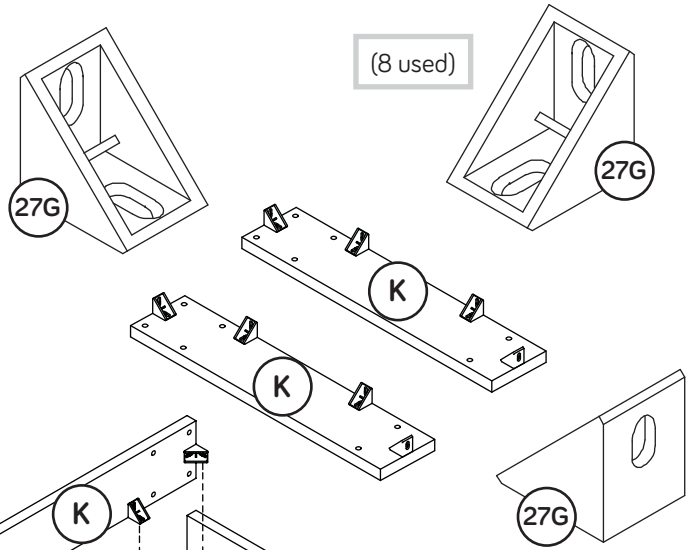
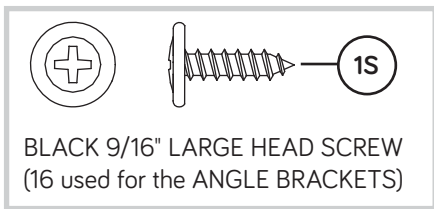


Tighten



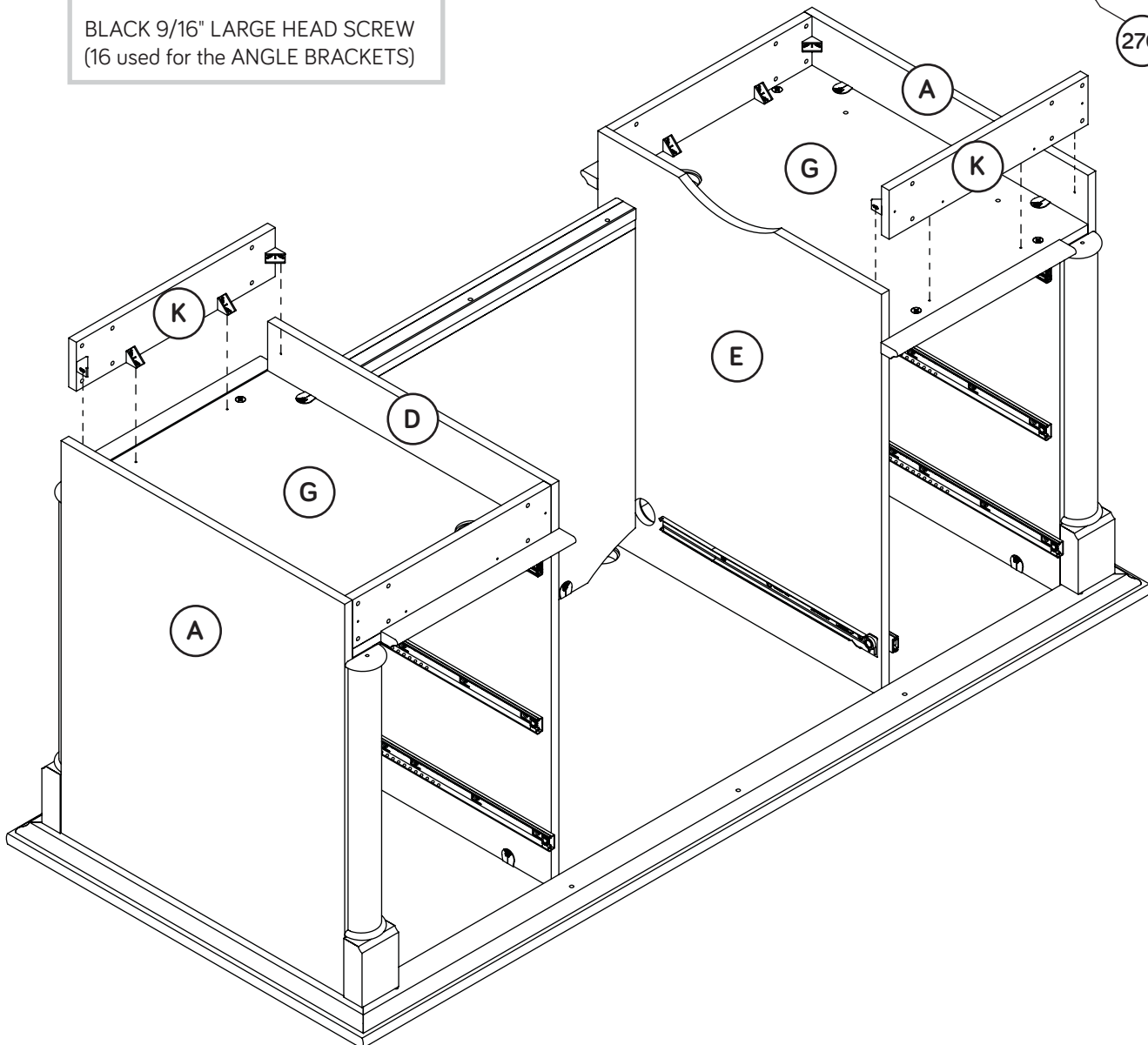
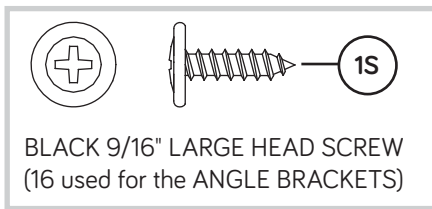
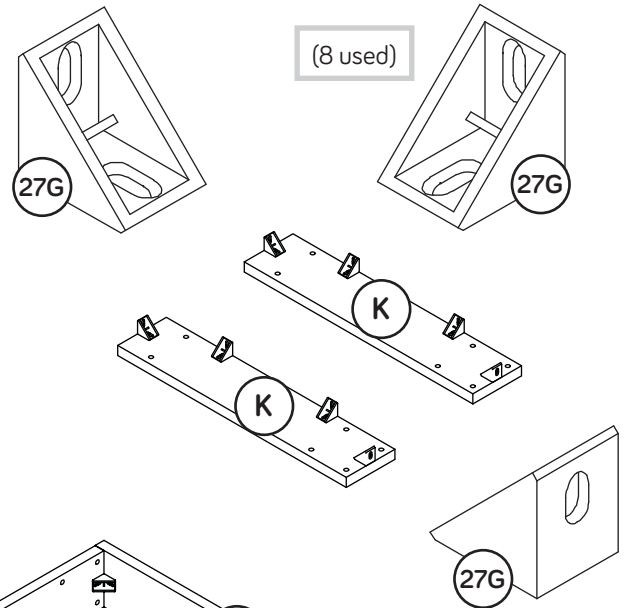
Step 17

- Fasten eight ANGLE BRACKETS (27G) to the BRACES (K). Use eight BLACK 9/16" LARGE HEAD SCREWS (1S).
- NOTE:** Be sure the edges of the ANGLE BRACKETS are even with the edges of the BRACES.
- Fasten the BRACES (K) to the OUTER ENDS (A), UPRIGHTS (D and E), and BOTTOMS (G). Use eight BLACK 9/16" LARGE HEAD SCREWS (1S).



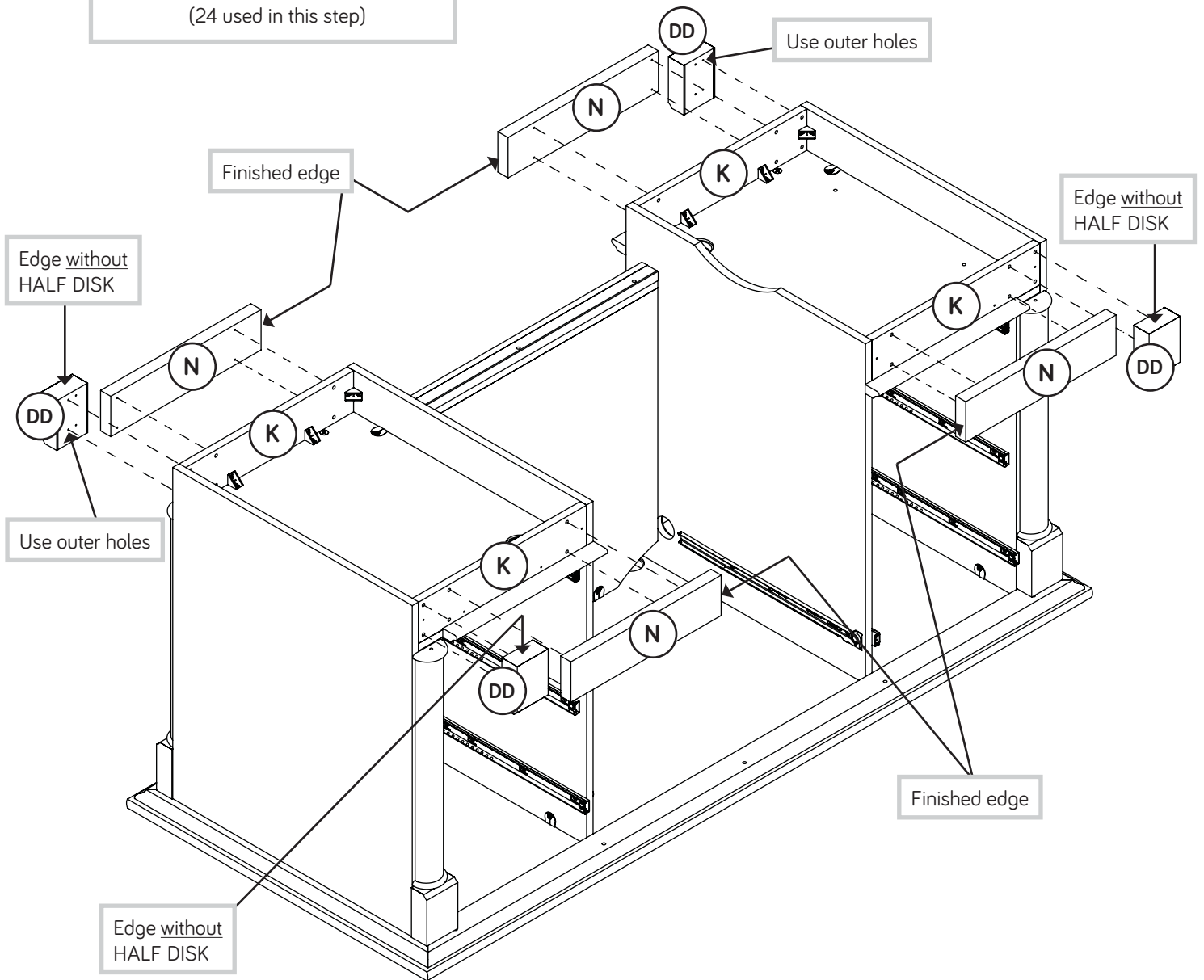
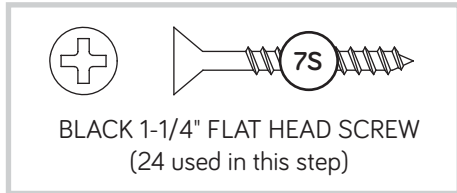
Step 18

- Fasten eight ANGLE BRACKETS (27G) to the BRACES (K). Use eight BLACK 9/16" LARGE HEAD SCREWS (1S).
- NOTE:** Be sure the edges of the ANGLE BRACKETS are even with the edges of the BRACES.
- Fasten the BRACES (K) to the OUTER ENDS (A), UPRIGHTS (D and E), and BOTTOMS (G). Use eight BLACK 9/16" LARGE HEAD SCREWS (1S).



Step 19

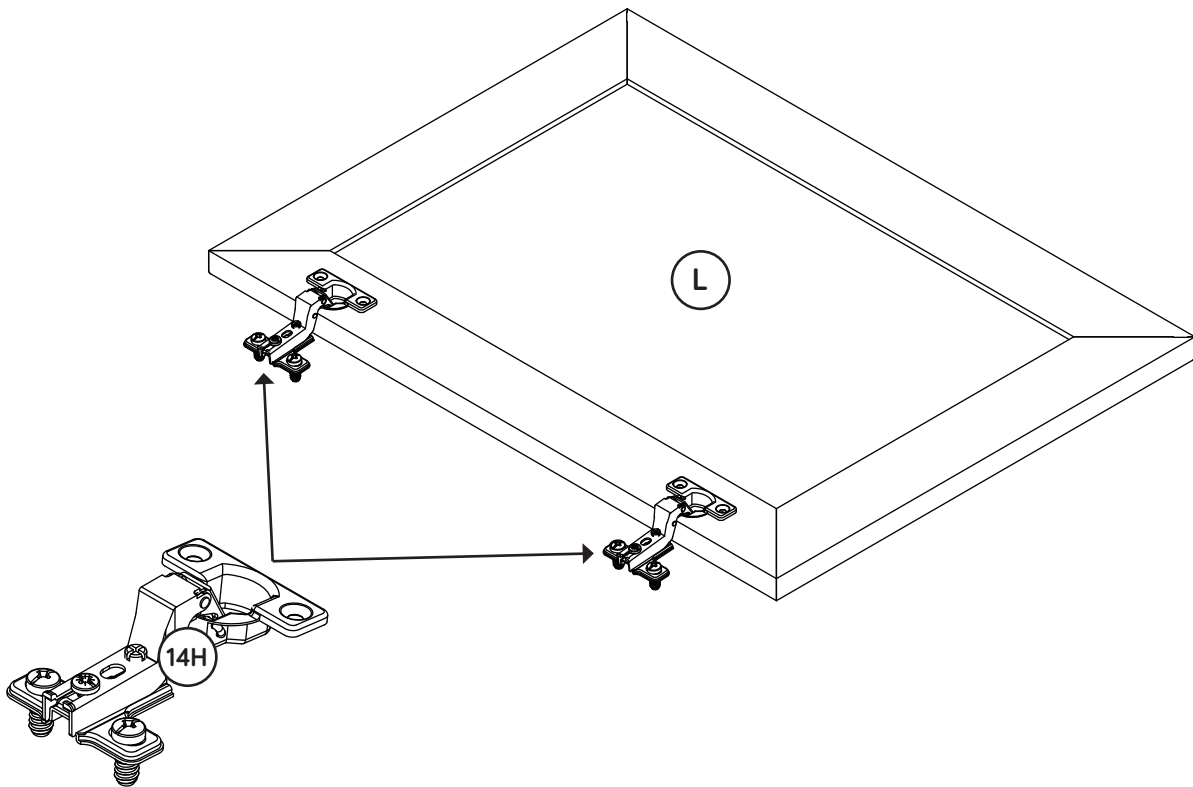
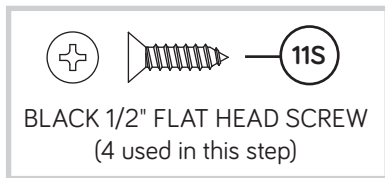
- Fasten the SKIRTS (N) and PLINTHS (DD) to the BRACES (K).
Use twenty-four BLACK 1-1/4" FLAT HEAD SCREWS (7S).



Step 20



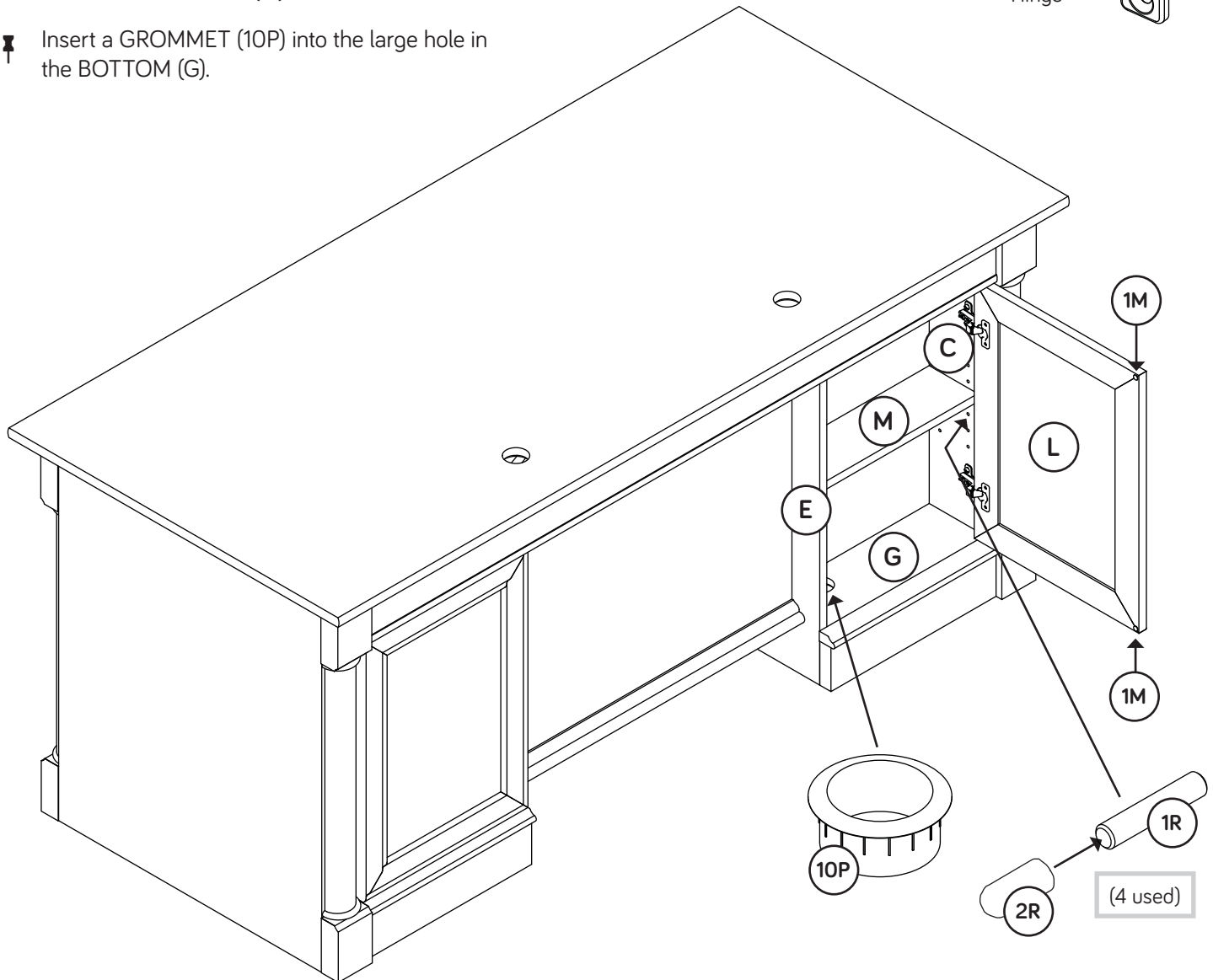
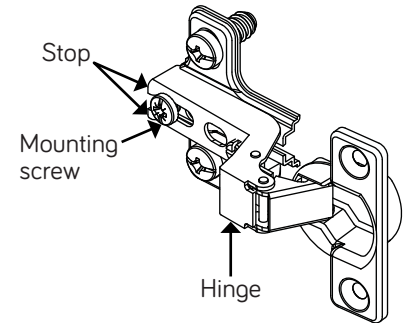
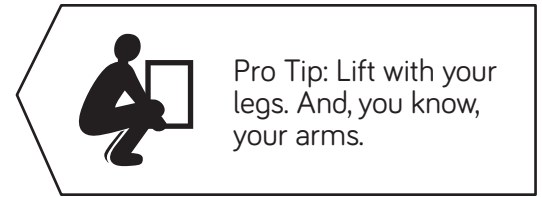
- Fasten the HINGES (14H) to the DOOR (L). Use four BLACK 1/2" FLAT HEAD SCREWS (11S).



Step 21



- ✦ Carefully stand your unit upright.
- ✦ Before fastening the DOOR (L) to your unit, be sure the mounting screw is against the stops as shown in the right diagram. If it isn't, loosen the mounting screw to slide it against the stops. Then tighten the mounting screw.
- ✦ Fasten the DOOR (L) to the LEFT END (C). Use the screws in the HINGES. See the next step for door adjustments.
- ✦ Peel a FELT DISC from the FELT DISC CARD (1M) and stick it on the DOOR where it comes in contact with the LEFT UPRIGHT (E).
- ✦ Push the RUBBER SLEEVES (2R) over the remaining METAL PINS (1R). Insert the METAL PINS into the hole locations of your choice in the LEFT END (C) and LEFT UPRIGHT (E). Set the ADJUSTABLE SHELF (M) onto the METAL PINS.
- ✦ Insert a GROMMET (10P) into the large hole in the BOTTOM (G).



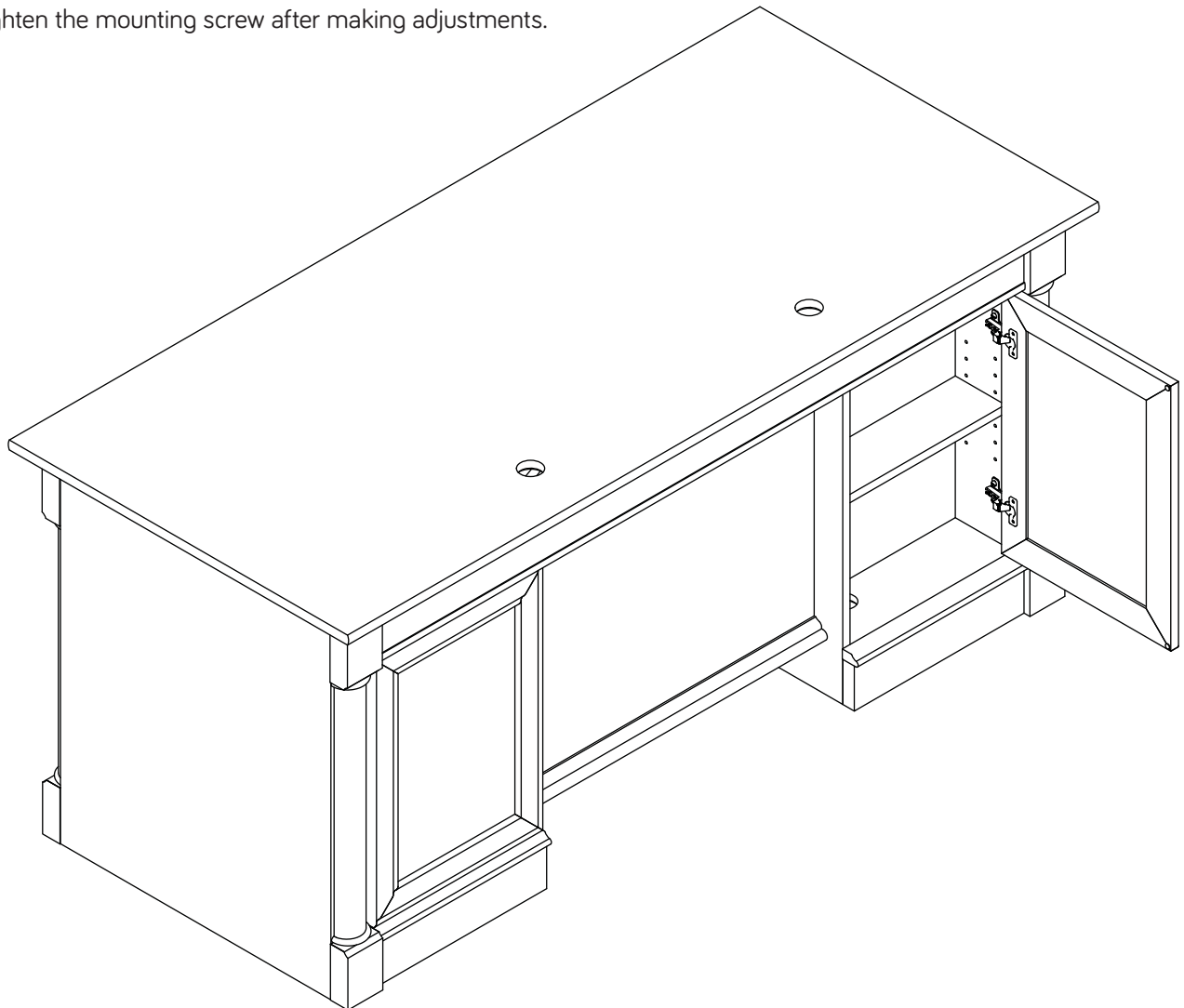
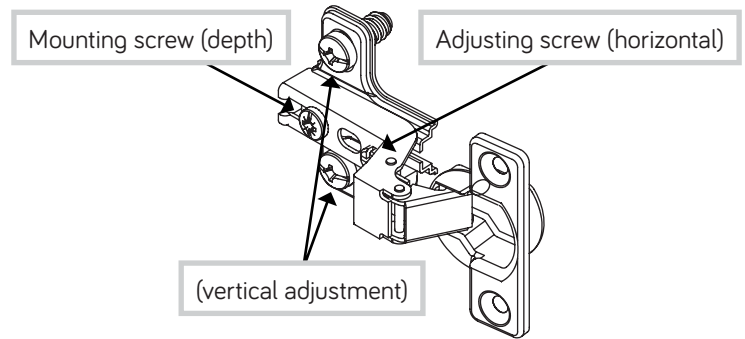
Step 22



- Refer to the enlarged diagram to identify the parts on the HINGES.
- The DOOR may need some adjustments. Follow the text below to make needed adjustments.

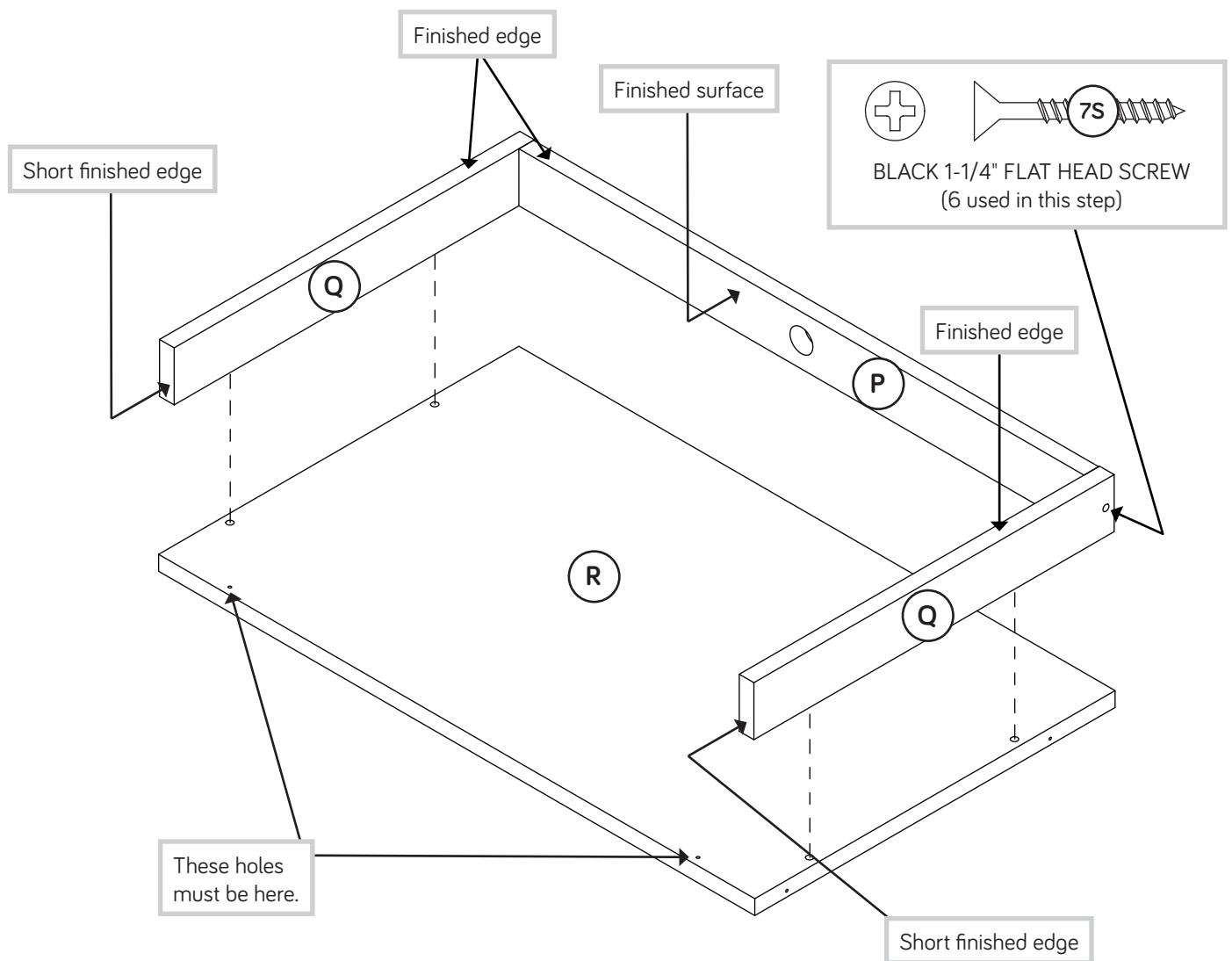
DOOR ADJUSTMENTS:

- To adjust the DOOR from side to side (horizontal), loosen the mounting screw several turns, then turn the adjusting screw in or out. Tighten the mounting screw after making adjustments.
- To adjust the DOOR up and down (vertical), loosen both vertical adjustment screws. Move the DOOR up or down to the desired location. Tighten the screws after making adjustments.
- To adjust the DOOR in or out (depth), loosen the mounting screw one turn and move the DOOR in or out, as needed. Tighten the mounting screw after making adjustments.



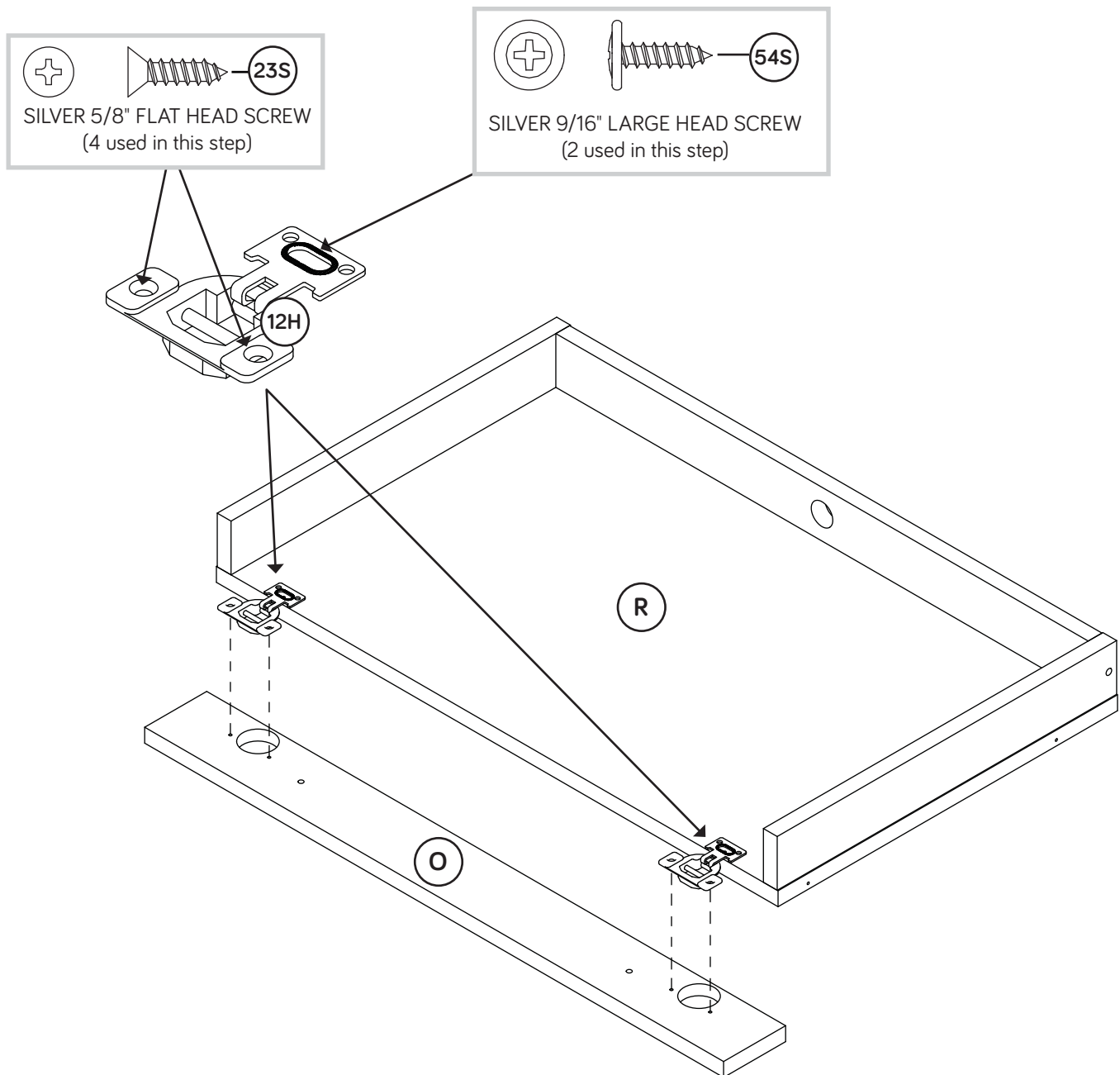
Step 23

- Fasten the KEYBOARD SIDES (Q) to the KEYBOARD SHELF (R).
Use four BLACK 1-1/4" FLAT HEAD SCREWS (7S).
- Fasten the KEYBOARD SIDES (Q) to the KEYBOARD BACK (P).
Use two BLACK 1-1/4" FLAT HEAD SCREWS (7S).



Step 24

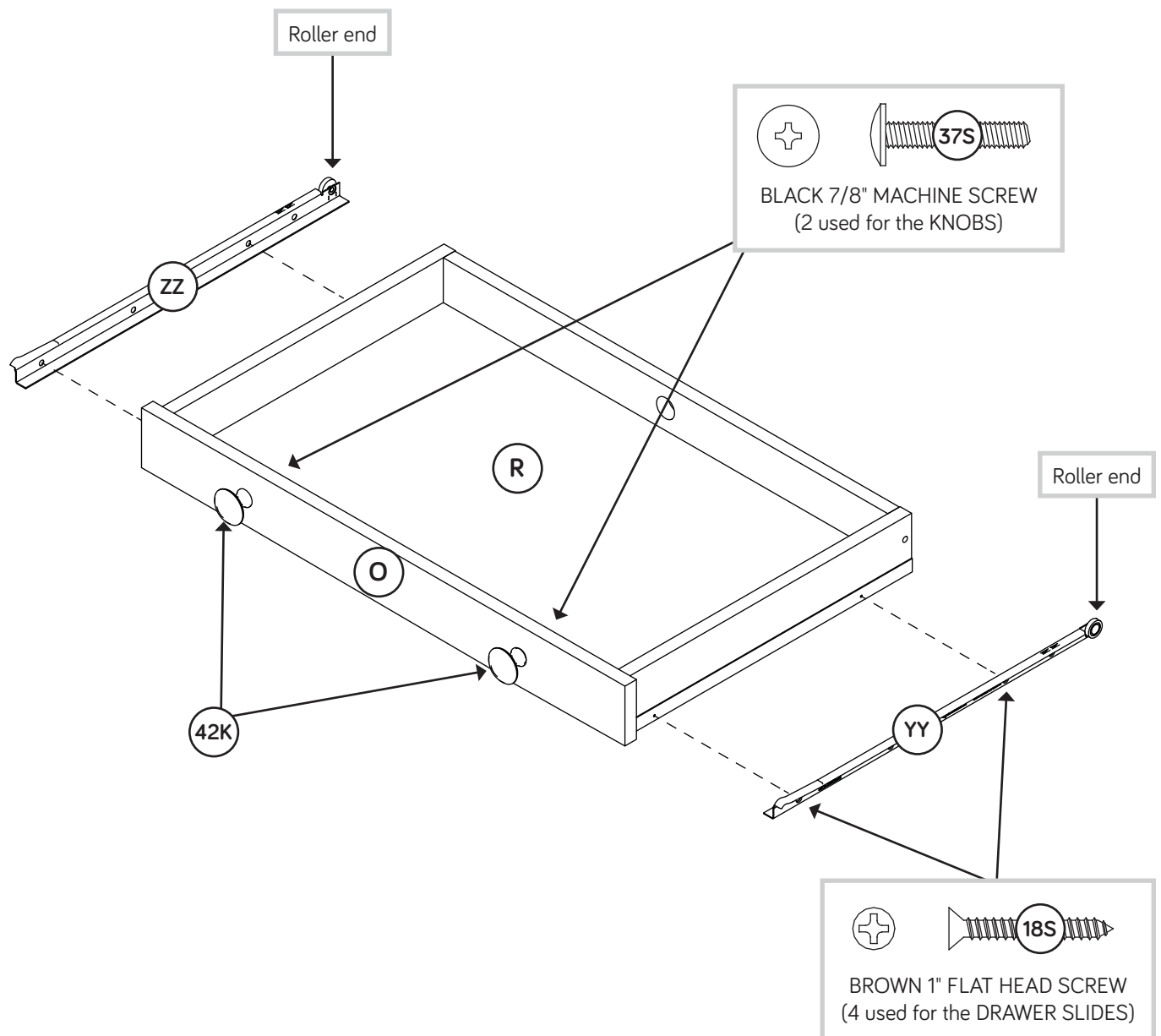
- Fasten the KEYBOARD HINGES (12H) to the KEYBOARD FRONT (O).
Use four SILVER 5/8" FLAT HEAD SCREWS (23S).
- Fasten the KEYBOARD HINGES (12H) to the KEYBOARD SHELF (R).
Use two SILVER 9/16" LARGE HEAD SCREWS (54S).



Step 25



- Fasten the DRAWER SLIDES (YY and ZZ) to the KEYBOARD SHELF (R). Use four BROWN 1" FLAT HEAD SCREWS (18S).
- NOTE:** The DRAWER SLIDES are marked "DRAWER RIGHT" and "DRAWER LEFT" for easy identification.
- Fasten two KNOBS (42K) to the KEYBOARD FRONT (O). Use two BLACK 7/8" MACHINE SCREWS (37S).



Step 26

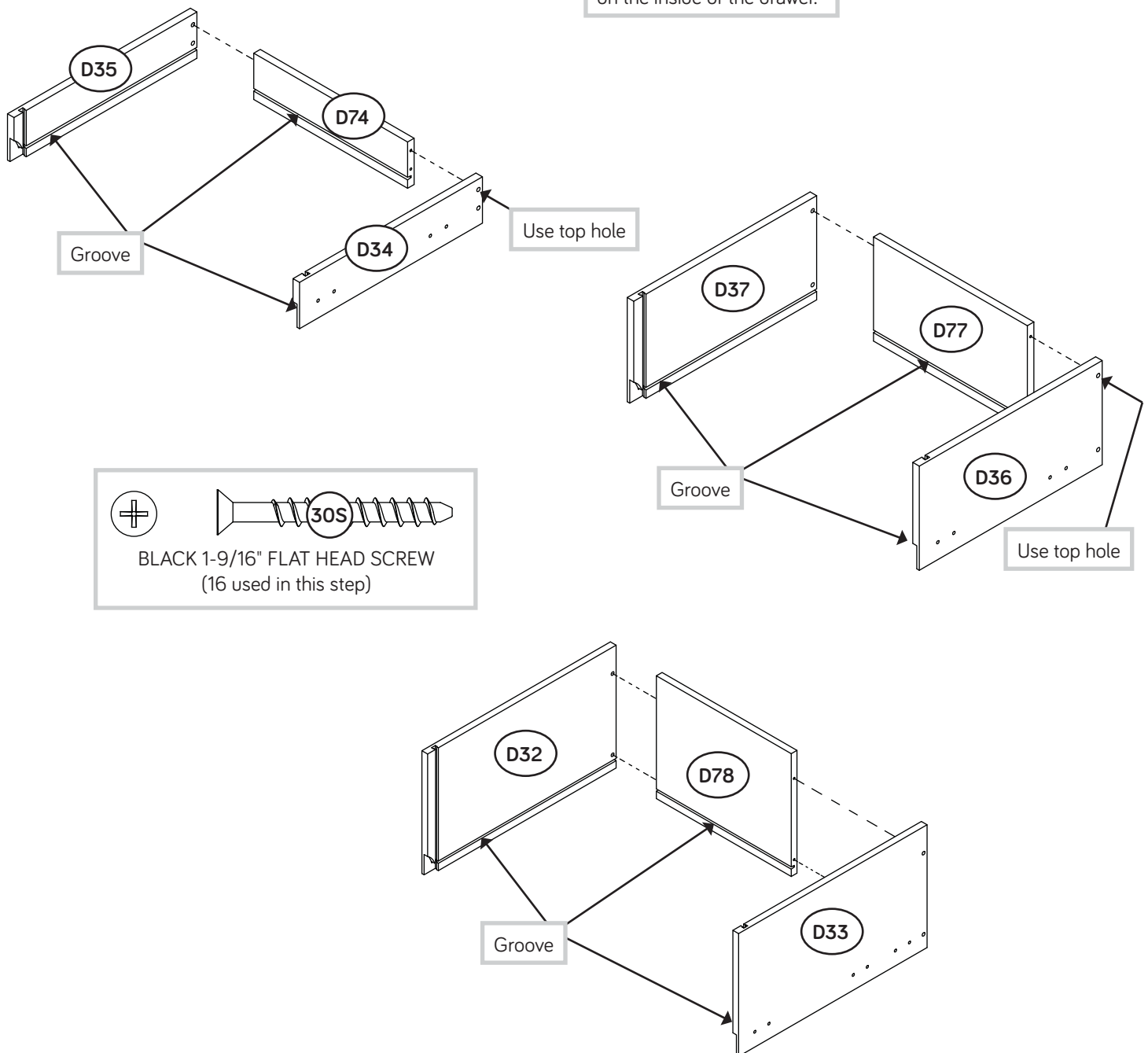


Fasten the DRAWER SIDES (D33, D32, D36, D37, D34, and D35) to the DRAWER BACKS (D78, D77, and D74). Use eight BLACK 1-9/16" FLAT HEAD SCREWS (30S).

NOTE: The small drawer and drawer will only use one SCREW on each side. Be sure to use the top hole.

Repeat this step for the other drawers.

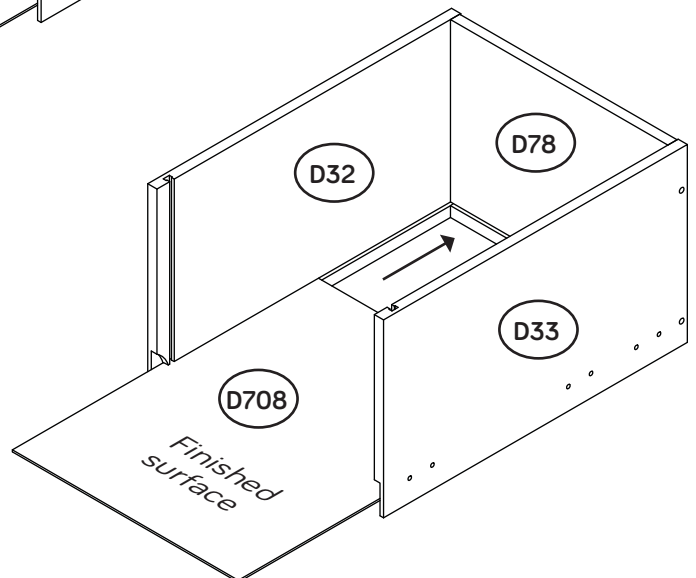
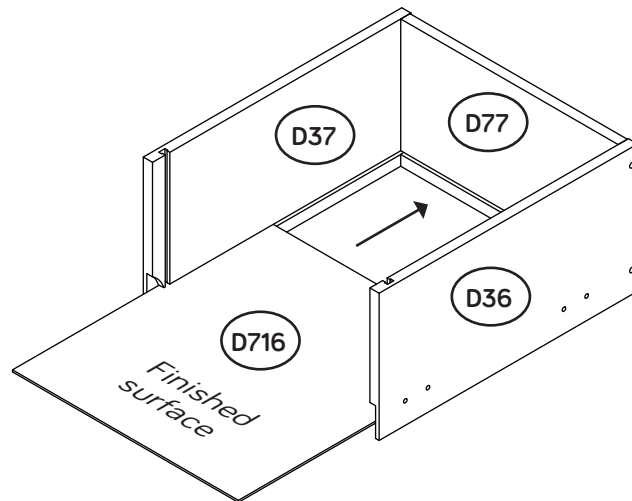
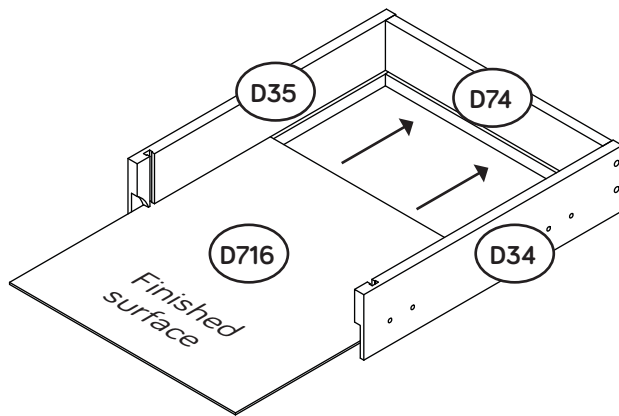
Be sure the grooves in each part line up with each other on the inside of the drawer.



Step 27



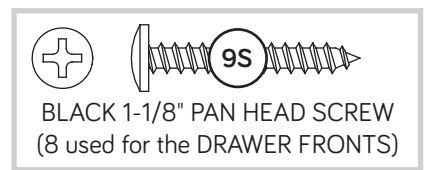
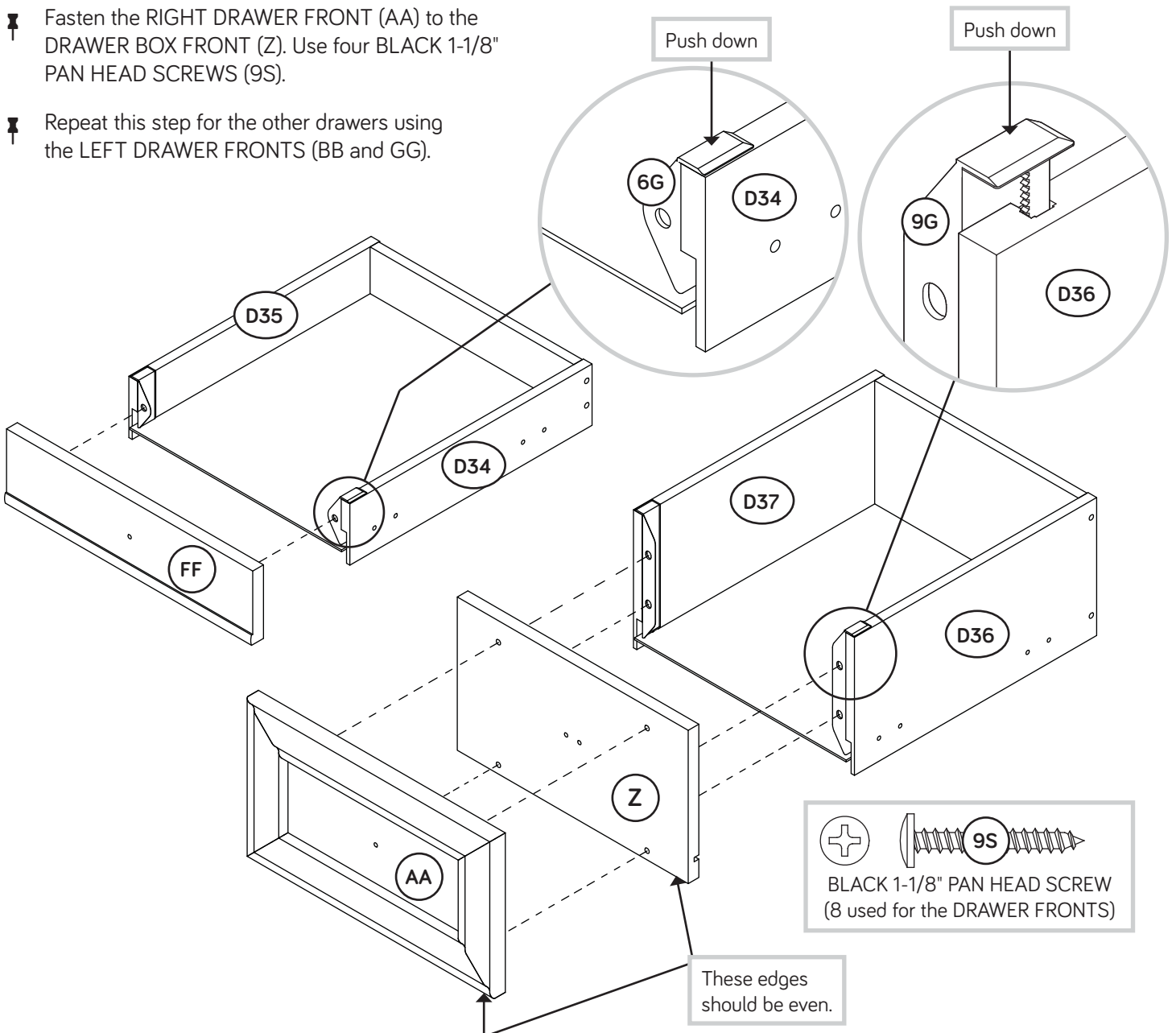
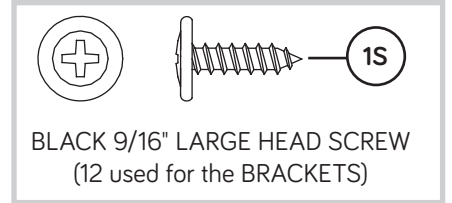
- Slide the DRAWER BOTTOMS (D708 and D716) into the grooves in the DRAWER SIDES (D33, D32, D34, D35, D36, and D37) and DRAWER BACKS (D78, D77, and D74).
- Repeat this step for the other drawers.



Step 28



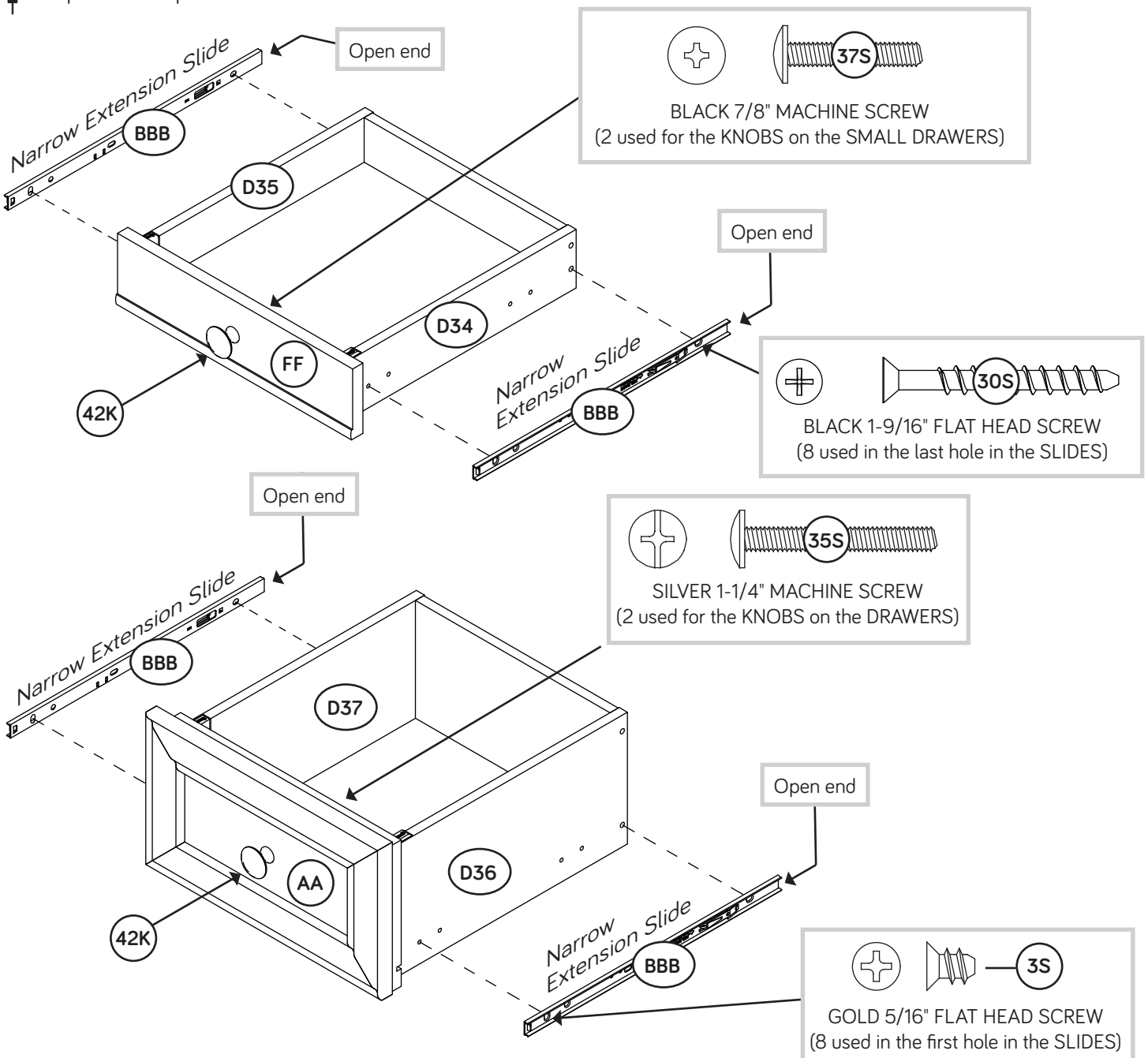
- ✚ Pull the DRAWER FRONT BRACKETS (6G and 9G) apart and slide them into the grooves in the DRAWER SIDES (D34, D35, D36, and D37).
- ✚ **NOTE:** The DRAWER FRONT BRACKETS are marked "RH" and "LH" for easy identification.
- ✚ Fasten the SMALL RIGHT DRAWER FRONT (FF) to the SMALL DRAWER FRONT BRACKETS (6G). Use two BLACK 9/16" LARGE HEAD SCREWS (1S).
- ✚ Fasten the DRAWER BOX FRONT (Z) to the DRAWER FRONT BRACKETS (9G). Use four BLACK 9/16" LARGE HEAD SCREWS (1S).
- ✚ Fasten the RIGHT DRAWER FRONT (AA) to the DRAWER BOX FRONT (Z). Use four BLACK 1-1/8" PAN HEAD SCREWS (9S).
- ✚ Repeat this step for the other drawers using the LEFT DRAWER FRONTS (BB and GG).



Step 29



- Fasten the NARROW EXTENSION SLIDES (BBB) to the SMALL DRAWER SIDES (D34 and D35) and DRAWER SIDES (D36 and D37). Use four GOLD 5/16" FLAT HEAD SCREWS (3S) through the first hole and use four BLACK 1-9/16" FLAT HEAD SCREWS (30S) through the last hole.
- Fasten the KNOB (42K) to the SMALL RIGHT DRAWER FRONT (FF). Use a BLACK 7/8" MACHINE SCREW (37S).
- Fasten the KNOB (42K) to the RIGHT DRAWER FRONT (AA). Use a SILVER 1-1/4" MACHINE SCREW (35S) through the DRAWER BOX FRONT, through the RIGHT DRAWER FRONT, and into the KNOB.
- Repeat this step for the other drawer and small drawer.



Step 30



✚ Pull the LARGE DRAWER FRONT BRACKETS (10G) apart and slide them into the grooves in the LARGE DRAWER SIDES (D33 and D32).

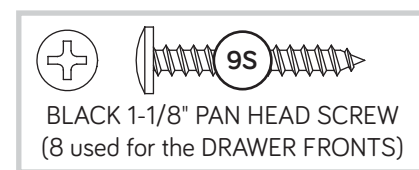
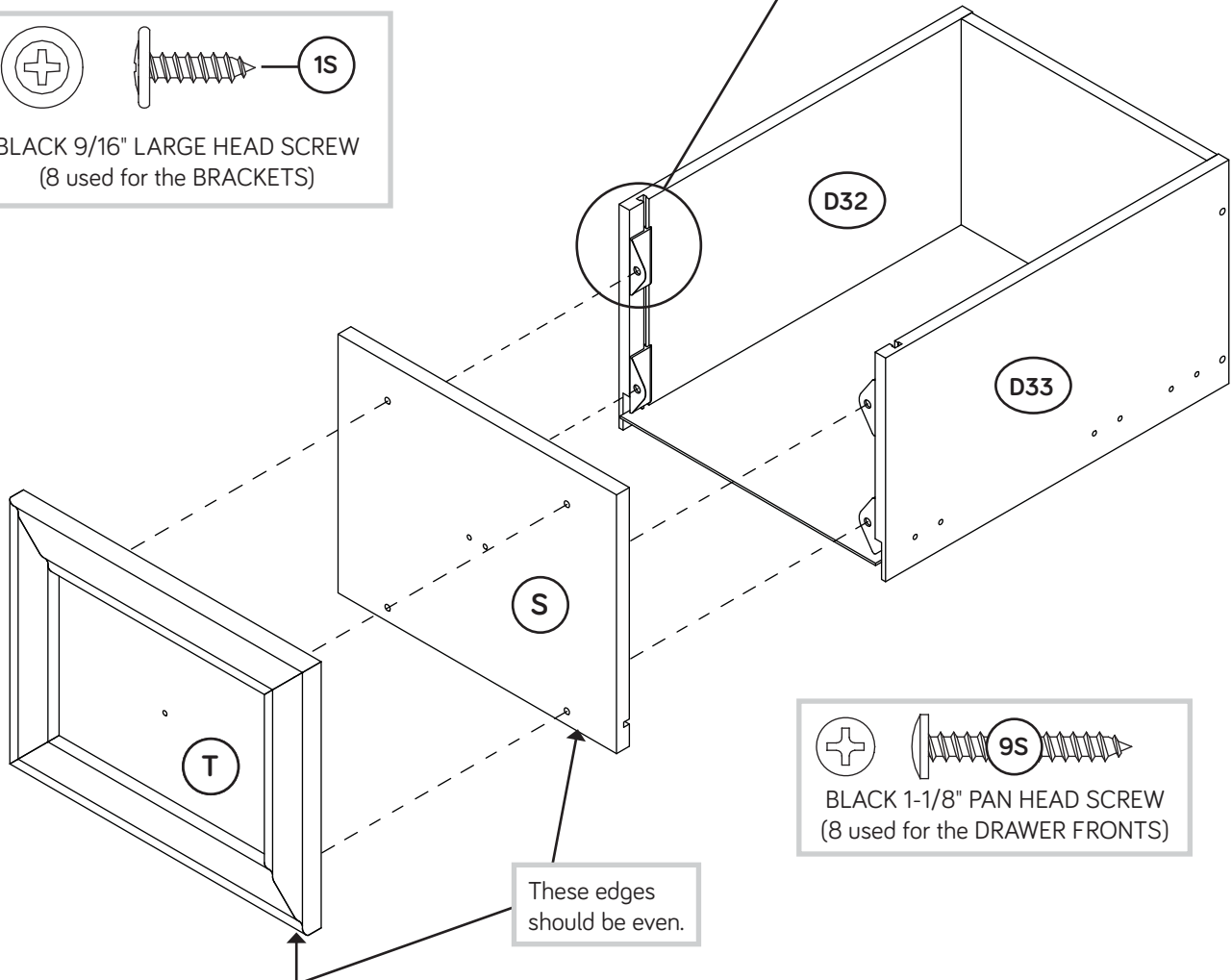
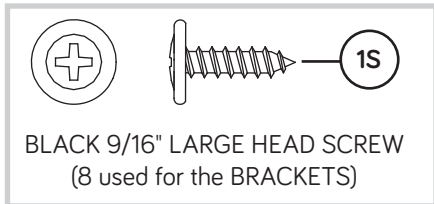
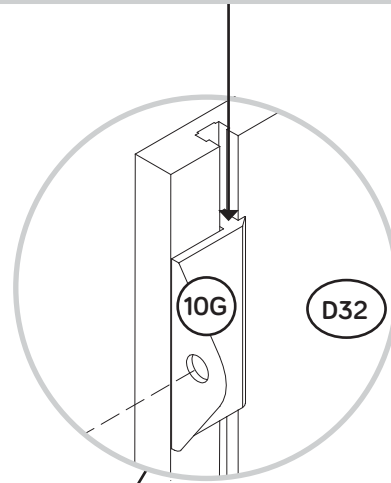
✚ **NOTE:** The DRAWER FRONT BRACKETS are marked "RH" and "LH" for easy identification.

✚ Fasten the LARGE DRAWER BOX FRONT (S) to the DRAWER FRONT BRACKETS (10G). Use four BLACK 9/16" LARGE HEAD SCREWS (1S).

✚ Fasten the LARGE RIGHT DRAWER FRONT (T) to the LARGE DRAWER BOX FRONT (S). Use four BLACK 1-1/8" PAN HEAD SCREWS (9S).

✚ Repeat this step for the other large drawer using the LARGE LEFT DRAWER FRONT (U).

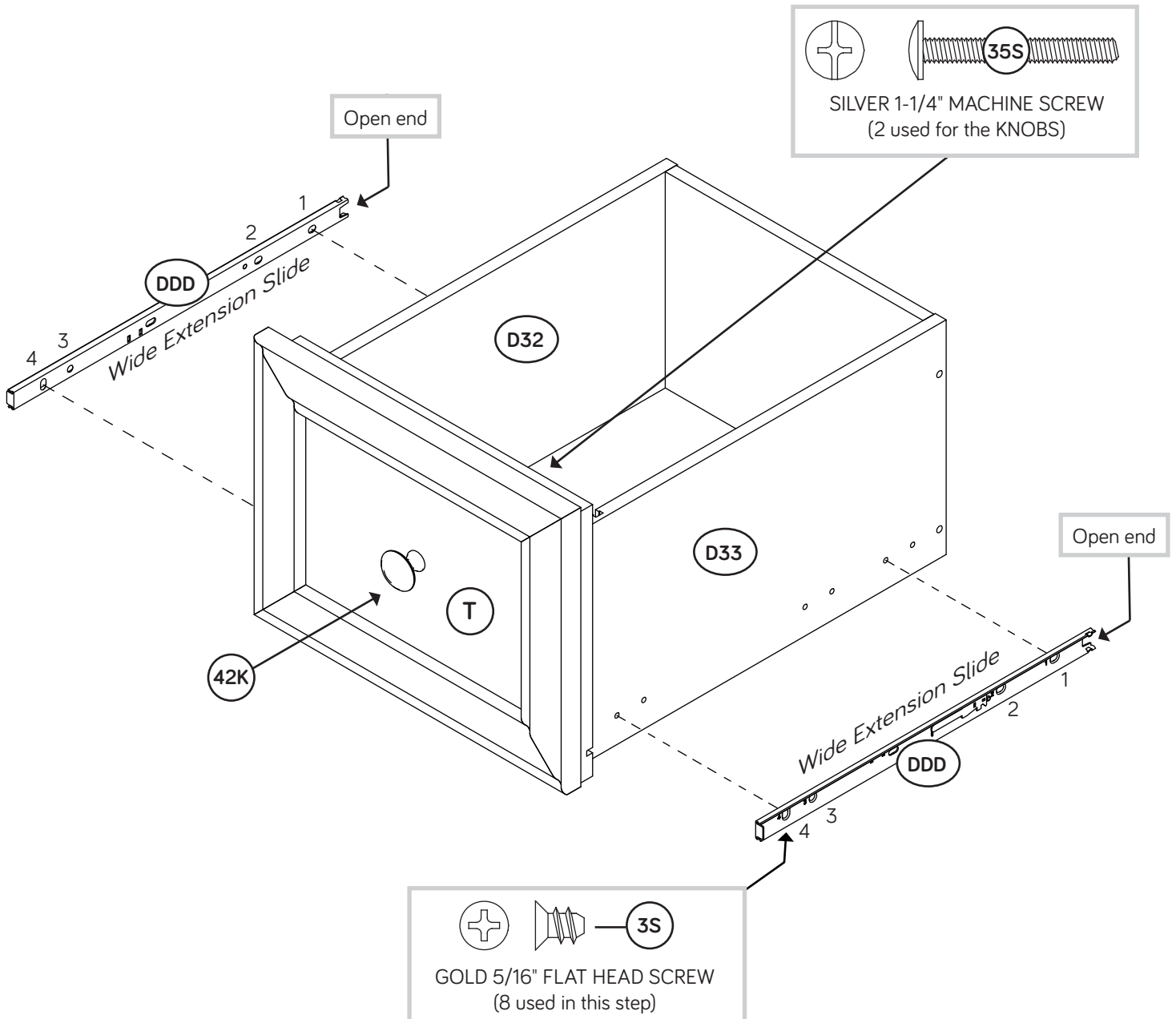
Tap down with your screwdriver and hammer.



Step 31



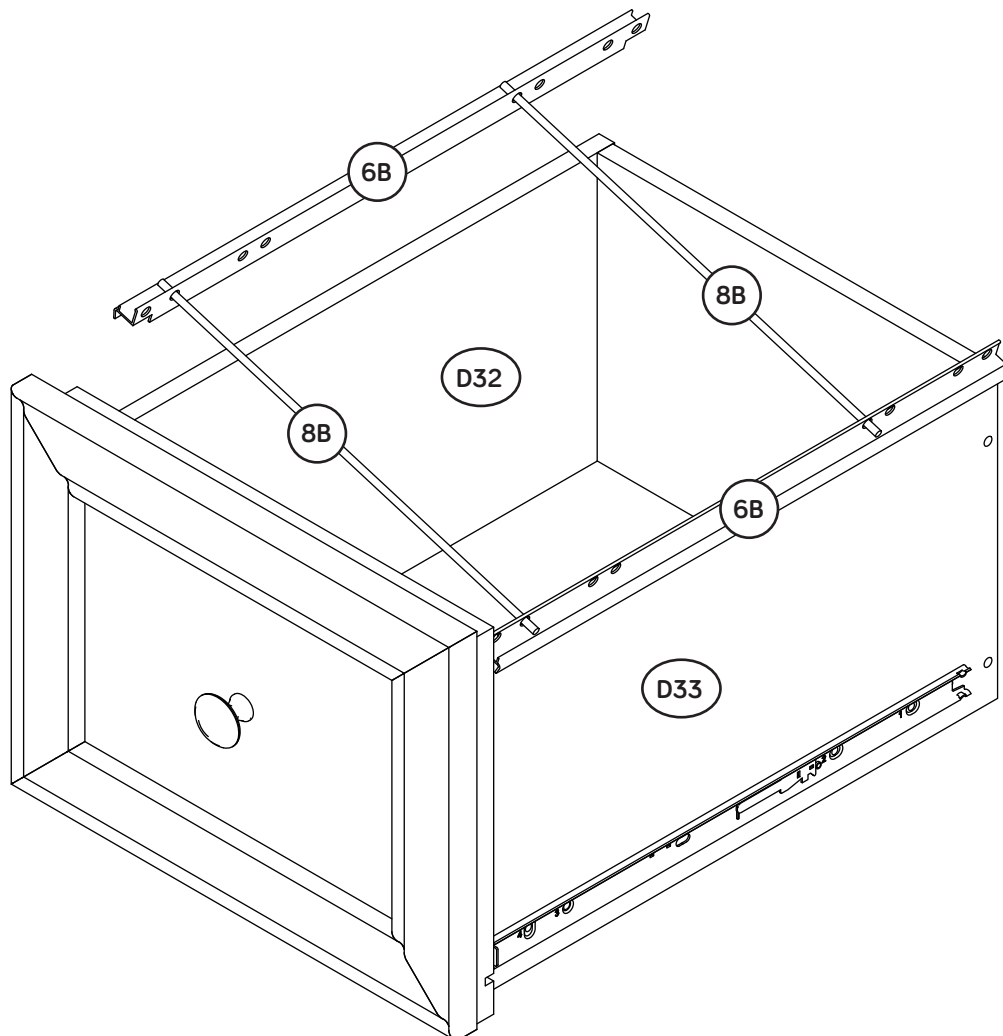
- Fasten the WIDE EXTENSION SLIDES (DDD) to the LARGE DRAWER SIDES (D33 and D32). Use four GOLD 5/16" FLAT HEAD SCREWS (3S) through holes #1 and #4.
- Fasten the KNOB (42K) to the LARGE RIGHT DRAWER FRONT (T). Use a SILVER 1-1/4" MACHINE SCREW (35S) through the LARGE DRAWER BOX FRONT, through the LARGE RIGHT DRAWER FRONT, and into the KNOB.
- Repeat this step for the other large drawer.



Step 32

- ✚ Push a FILE GLIDE (6B) onto the LARGE RIGHT DRAWER SIDE (D33).
- ✚ Slide the FILE RODS (8B) into the FILE GLIDE (6B) on the LARGE RIGHT DRAWER SIDE.
- ✚ Slide another FILE GLIDE (6B) onto the other end of the FILE RODS (8B), then press this FILE GLIDE over the LARGE LEFT DRAWER SIDE (D32).
- ✚ Repeat this step for the other large drawer.

Insert the FILE RODS into the holes of your choice in the FILE GLIDES, depending on your file sizes.



Utilisez les instructions d'assemblage en français avec les schémas étape par étape du manuel d'instruction en anglais. Chaque étape en français correspond à la même étape en anglais. La pièce devant être attachée à l'élément est représentée en gris sur les schémas de chaque étape pour plus de précision. Comparez la "Liste de pièces" ci-dessous avec la "PART IDENTIFICATION" du manuel en anglais pour vous familiariser avec les pièces avant l'assemblage.

REMARQUE : CE MANUEL D'INSTRUCTIONS CONTIENT **D'IMPORTANTES** INFORMATIONS RELATIVES À LA SÉCURITÉ. À LIRE ET CONSERVER POUR TOUTE RÉFÉRENCE FUTURE.

NOUS SOMMES LA POUR VOUS AIDER!

Nous faisons de notre mieux pour nous assurer que votre meuble arrive dans d'excellentes conditions. Nos représentants du service Clientèle sont aimables et prêts à vous aider au cas où une pièce aurait été endommagée ou manquerait (ou si vous aviez besoin d'aide pour l'assemblage). NE RAMENEZ PAS LE MEUBLE AU MAGASIN. Au Canada, composez ce numéro d'appel gratuit:

1-800-523-3987

**Du lundi au vendredi, de 9 heures du matin à
5:30 heures du soir (horaire Côte Est)
(sauf jours fériés)**

Si une pièce a besoin d'être remplacée, la pièce de remplacement sera envoyée dans les 48 heures. (Sauf week-ends et jours fériés)

A l'usage exclusif du Canada Noter la date d'achat de cet élément et conserver le livret pour future référence. Pour contacter Sauder en ce qui concerne cet élément, faire référence au numéro de lot et numéro de modèle en appelant notre numéro sans frais.

Lot n° : _____

Date de l'achat: _____

LISTE DE PIÈCES			LISTE DE PIÈCES		
REFERENCE	DESCRIPTION	QUANTITÉ	REFERENCE	DESCRIPTION	QUANTITÉ
A	EXTRÉMITÉ EXTERNE	2	D708	FOND DE GRAND TIROIR.....	2
B	EXTRÉMITÉ DROITE	1	Z	DEVANT DE CAISSON DE TIROIR.....	2
C	EXTRÉMITÉ GAUCHE.....	1	AA	DEVANT DE TIROIR DROIT.....	1
D	MONTANT DROIT.....	1	BB	DEVANT GAUCHE DE TIROIR	1
E	MONTANT GAUCHE	1	D77	ARRIÈRE DE TIROIR.....	2
F	DESSUS.....	1	DD	PLINTHE.....	8
G	DESSOUS.....	2	D37	CÔTÉ GAUCHE DE TIROIR.....	2
H	VOILE DE FOND.....	1	FF	DEVANT DROIT DE PETIT TIROIR.....	1
I	ARRIÈRE	1	GG	DEVANT GAUCHE DE PETIT TIROIR	1
J	ARRIÈRE DE SOCLE	1	D74	ARRIÈRE DE PETIT TIROIR.....	2
K	ENTRETOISE.....	4	D34	CÔTÉ DROIT DE PETIT TIROIR.....	2
L	PORTE.....	1	D35	CÔTÉ GAUCHE DE PETIT TIROIR.....	2
M	TABLETTE RÉGLABLE	1	D716	FOND DE TIROIR.....	4
N	PLINTHE.....	4	LL	MOULURE ARRIÈRE DU DESSUS.....	1
O	DEVANT DE TABLETTE DE CLAVIER.....	1	MM	MOULURE ARRIÈRE SUPÉRIEURE	1
P	ARRIÈRE DE TABLETTE DE CLAVIER.....	1	NN	MOULURE LATÉRALE.....	2
Q	CÔTÉ DE TABLETTE DE CLAVIER.....	2	OO	MOULURE INFÉRIEURE.....	1
R	TABLETTE DE CLAVIER.....	1	PP	MOULURE SUPÉRIEURE.....	1
S	DEVANT DE CAISSON DU GRAND TIROIR.....	2	M35	MOULURE.....	4
T	DEVANT DROIT DE GRAND TIROIR.....	1	RR	MOULURE GAUCHE DU DESSOUS.....	2
U	DEVANT DE GRAND TIROIR GAUCHE.....	1	D36	CÔTÉ DROIT DE TIROIR.....	2
D78	ARRIÈRE DE GRAND TIROIR.....	2	TT	MOULURE DROITE DU DESSOUS.....	2
D33	CÔTÉ DROIT DE GRAND TIROIR.....	2	UU	MOULURE AVANT DU DESSUS.....	1
D32	CÔTÉ GAUCHE DE GRAND TIROIR.....	2	VV	DEMI-DISQUE.....	8

LISTE DE PIÈCES

REFERENCE	DESCRIPTION	QUANTITÉ
WW	GLISSIÈRE DROITE D'ÉLÉMENT	1
XX	GLISSIÈRE GAUCHE D'ÉLÉMENT	1
ZZ	COULISSE GAUCHE DE TIROIR.....	1
YY	COULISSE DROITE DE TIROIR.....	1
	(ENSEMBLE DE GLISSIÈRE ILLUSTRÉ À PART)	
AAA	GLISSIÈRE D'EXTENSION.....	8
BBB	COULISSE D'EXTENSION.....	8
	(ENSEMBLE DE GLISSIÈRE ILLUSTRÉ À PART)	
CCC	GLISSIÈRE D'EXTENSION LARGE.....	4
DDD	COULISSE D'EXTENSION LARGE.....	4
6B	ARMATURE POUR DOSSIERS	4
8B	TIGE DE DOSSIER.....	4
1F	EXCENTRIQUE ESCAMOTABLE.....	8
2F	CHEVILLE D'EXCENTRIQUE	8
7F	FIXATION TWIST-LOCK®	25
17F	CONNECTEUR DE MOULURE.....	4
6G	CONSOLE DE DEVANT DE PETIT TIROIR.....	2
9G	CONSOLE DE DEVANT DE TIROIR.....	2
10G	CONSOLE DE DEVANT DE GRAND TIROIR.....	4
19G	CONSOLE EN MÉTAL	2
27G	CONSOLE À ÉQUERRE	40
12H	CHARNIÈRE DE TABLETTE DE CLAVIER.....	2
14H	CHARNIÈRE.....	2
42K	BOUTON	8
1M	FICHE DE TAMPONS EN FEUTRE.....	1
1P	COUVERCLE DE PASSE-CÂBLES	2
9P	CLIP POUR CORDONS.....	1
10P	PASSE-CÂBLES.....	3
1R	GOUPILLE EN MÉTAL	8
2R	MANCHON EN CAOUTCHOUC.....	4

LISTE DE PIÈCES

REFERENCE	DESCRIPTION	QUANTITÉ
1S	VIS NOIRE TÊTE LARGE 14 mm.....	106
2S	VIS NOIRE TÊTE PLATE 48 mm.....	8
3S	VIS DORÉE TÊTE PLATE 8 mm.....	48
7S	VIS NOIRE TÊTE PLATE 32 mm.....	46
9S	VIS NOIRE TÊTE GOUTTE DE SUIF 28 mm.....	16
11S	VIS NOIRE TÊTE PLATE 13 mm.....	4
18S	VIS MARRON TÊTE PLATE 25 mm.....	12
23S	VIS ARGENTÉE TÊTE PLATE 16 mm.....	4
30S	VIS NOIRE TÊTE PLATE 40 mm.....	24
35S	VIS ARGENTÉE À MÉTAUX 32 mm.....	4
37S	VIS NOIRE À MÉTAUX 22 mm.....	4
54S	VIS ARGENTÉE TÊTE LARGE 14 mm.....	2
100S	VIS NOIRE TÊTE PLATE 70 mm.....	3

ÉTAPE 1

Ne pas serrer les FIXATIONS TWIST-LOCK® à cette étape.

Assembler l'élément sur un sol à moquette ou sur le carton vide pour éviter d'endommager l'élément ou le sol.

Pour commencer l'assemblage, enfoncer une FIXATION TWIST-LOCK® SAUDER (7F) dans les gros trous des EXTRÉMITÉS EXTERNES (A).

Répéter cette étape pour les EXTRÉMITÉS (B et C), les MONTANTS (D et E), les DESSOUS (G), le VOILE DE FOND (H) et la MOULURE ARRIÈRE SUPÉRIEURE (MM).

ÉTAPE 2

Ne pas serrer les EXCENTRIQUES ESCAMOTABLES dans cette étape.

Enfoncer huit EXCENTRIQUES ESCAMOTABLES (1F) dans les DESSOUS (G). Ensuite, insérer l'extrémité en métal de la CHEVILLE D'EXCENTRIQUE (2F) dans chaque EXCENTRIQUE ESCAMOTABLE.

ÉTAPE 3

REMARQUE : Avant de commencer cette étape, séparer les JEUX D'EXTENSION (AAA et BBB) des JEUX D'EXTENSION LARGES (CCC et DDD). Ne pas confondre ces JEUX une fois qu'ils sont séparés.

Séparer les COULISSES D'EXTENSION (BBB) des GLISSIÈRES D'EXTENSION (AAA) comme l'indique le schéma du haut. Faire attention car les pièces sont graissées.

Fixer les GLISSIÈRES D'EXTENSION (AAA) aux EXTRÉMITÉS (B et C) et aux MONTANTS (D et E). Utiliser seize VIS DORÉES TÊTE PLATE 8 mm (3S).

REMARQUE : Pour chaque GLISSIÈRE D'EXTENSION, faire tourner une VIS dans le trou indiqué dans le schéma agrandi. Ensuite, enfiler la cartouche interne de la GLISSIÈRE D'EXTENSION vers l'intérieur pour trouver l'autre trou qui est aligné sur le trou dans l'EXTRÉMITÉ et le MONTANT. Faire tourner une VIS dans ce trou.

ÉTAPE 4

Séparer les COULISSES D'EXTENSION LARGE (DDD) des GLISSIÈRES D'EXTENSION (CCC) comme l'indique le schéma du haut. Faire attention car les pièces sont graissées.

Fixer les GLISSIÈRES D'EXTENSION LARGE (CCC) aux EXTRÉMITÉS (B et C) et aux MONTANTS (D et E). Utiliser douze VIS DORÉES TÊTE PLATE 8 mm (3S).

ÉTAPE 4 (SUITE)

REMARQUE : Pour chaque GLISSIÈRE D'EXTENSION, faire tourner une VIS dans le trou indiqué dans le schéma agrandi. Ensuite, enfiler la cartouche interne de la GLISSIÈRE D'EXTENSION vers l'intérieur pour trouver les autres trous qui sont alignés sur les trous dans les EXTRÉMITÉS et les MONTANTS. Faire tourner une VIS dans ce trou.

Fixer quatre CONSOLES À ÉQUERRE (27G) à l'EXTRÉMITÉ DROITE (B) et au MONTANT DROIT (D). Utiliser quatre VIS NOIRES TÊTE LARGE 14 mm (1S).

REMARQUE : S'assurer que les chants des CONSOLES À ÉQUERRE sont à fleur des chants d'EXTRÉMITÉ et MONTANT.

ÉTAPE 5

Fixer les GLISSIÈRES D'ÉLÉMENT (WW et XX) sur l'autre surface des MONTANTS (D et E). Utiliser quatre VIS DORÉES TÊTE PLATE 8 mm (3S).

REMARQUE : Les GLISSIÈRES D'ÉLÉMENT ont une inscription "CABINET RIGHT" (droite) et "CABINET LEFT" (gauche) pour faciliter leur identification.

ÉTAPE 6

Enfoncer quatre CONNECTEURS DE MOULURE (17F) dans les crans des MOULURES DE DESSUS (LL et UU) et les MOULURES LATÉRALES (NN).

ÉTAPE 7

Fixer les MOULURES DE DESSUS (LL et UU) et les MOULURES LATÉRALES (NN) au DESSUS (F). Utiliser seize VIS NOIRES TÊTE PLATE 32 mm (7S).

ÉTAPE 8

Utilisation de la FIXATION TWIST-LOCK® SAUDER

1. Insérer l'extrémité fileté de la FIXATION dans le trou de la pièce attenante.

REMARQUE : L'extrémité fileté de la FIXATION doit rester complètement insérée dans le trou de la pièce attenante lorsque l'on bloque la FIXATION.

2. Bien serrer la FIXATION à l'aide d'un tournevis Phillips.

Fixer les CONSOLES EN MÉTAL (19G) sur la MOULURE ARRIÈRE SUPÉRIEURE (MM). Utiliser deux VIS NOIRES TÊTE LARGE 14 mm (1S).

Fixer la MOULURE ARRIÈRE SUPÉRIEURE (MM) sur la MOULURE ARRIÈRE DU DESSUS (LL) sur le DESSUS (F). Serrer trois FIXATIONS TWIST-LOCK®.

ÉTAPE 9

Fixer les DEMI-DISQUES (VV) aux PLINTHES (DD). Utiliser huit VIS MARRON TÊTE PLATE 25 mm (18S).

Fixer vingt CONSOLES À ÉQUERRE (27G) aux EXTRÉMITÉS EXTERNES (A). Utiliser vingt VIS NOIRES TÊTE LARGE 14 mm (1S).

REMARQUE : S'assurer que les chants des CONSOLES À ÉQUERRE sont à fleur des chants des EXTRÉMITÉS EXTERNES.

ÉTAPE 10

Fixer les EXTRÉMITÉS EXTERNES (A) sur les MOULURES LATÉRALES (NN) sur le DESSUS (F). Serrer quatre FIXATIONS TWIST-LOCK®.

ÉTAPE 11

Fixer les PLINTHES (DD) et les MOULURES (M35) aux EXTRÉMITÉS EXTERNES (A). Utiliser vingt VIS NOIRES TÊTE LARGE 14 mm (1S).

ÉTAPE 12

Fixer les EXTRÉMITÉS (B et C) au DESSUS (F). Serrer quatre FIXATIONS TWIST-LOCK®.

ÉTAPE 13

Fixer les DESSOUS (G) aux EXTRÉMITÉS EXTERNES (A). Serrer quatre FIXATIONS TWIST-LOCK®.

Fixer les DESSOUS (G) aux EXTRÉMITÉS (B et C). Utiliser quatre VIS NOIRES TÊTE PLATE 48 mm (2S).

Insérer quatre GOUPILLES EN MÉTAL (1R) dans l'ARRIÈRE DE SOCLE (J).

Insérer les GOUPILLES EN MÉTAL (1R) dans une extrémité de l'ARRIÈRE DE SOCLE (J) dans les trous de l'EXTRÉMITÉ GAUCHE (C).

ÉTAPE 14

Fixer les MONTANTS (D et E) au DESSUS (F) et aux DESSOUS (G). Serrer huit FIXATIONS TWIST-LOCK®.

REMARQUE : S'assurer que les GOUPILLES EN MÉTAL de l'ARRIÈRE DE SOCLE (J) s'insèrent dans les trous du MONTANT GAUCHE (E).

Fixer la MOULURE ARRIÈRE SUPÉRIEURE (MM) sur les MONTANTS (D et E). Utiliser les VIS TÊTE LARGE 14 mm NOIRES (1S) à travers les CONSOLES EN MÉTAL sur la MOULURE ARRIÈRE SUPÉRIEURE et dans les MONTANTS.

ÉTAPE 15

Fixer le VOILE DE FOND (H) au DESSUS (F). Serrer deux FIXATIONS TWIST-LOCK®.

Fixer le VOILE DE FOND (H) aux MONTANTS (D et E). Utiliser quatre VIS NOIRES TÊTE PLATE 48 mm (2S).

Fixer les MOULURES (OO et PP) au VOILE DE FOND. Utiliser trois VIS TÊTE PLATE 70 mm NOIRES (100S) à travers la MOULURE INFÉRIEURE, la MOULURE SUPÉRIEURE et dans le VOILE DE FOND.

Insérer le CLIP DE CORDON (9P) dans le trou dans le DESSUS (F).

REMARQUE : Le CLIP POUR CORDONS est utilisé pour gérer les cordons.

ÉTAPE 16

REMARQUE : Il faut peut-être l'aide d'une autre personne pour maintenir l'ARRIÈRE en place pendant que l'on fixe l'unité.

Fixer l'ARRIÈRE (I) à l'EXTRÉMITÉ DROITE (B) et au MONTANT DROIT (D). Utiliser quatre VIS NOIRES TÊTE LARGE 14 mm (1S) à travers les CONSOLES À ÉQUERRE situées sur les EXTRÉMITÉS et MONTANT.

Fixer les MOULURES DE DESSOUS (RR et TT) aux DESSOUS (G). Serrer huit EXCENTRIQUES ESCAMOTABLES.

Attention: Risque des dégâts ou blessures. Les Excentriques Escamotables doivent être serrés à bloc. Les Excentriques Escamotables que ne sont pas serrées à bloc peuvent desserrer et les pièces peuvent séparer. Pour serrer à bloc, faire tourner l'excentrique escamotable de 210 degrés.

ÉTAPE 17

Fixer huit CONSOLES À ÉQUERRE (27G) aux ENTRETOISES (K). Utiliser huit VIS NOIRES TÊTE LARGE 14 mm (1S).

REMARQUE : S'assurer que les chants des CONSOLES À ÉQUERRE sont à fleur des chants des ENTRETOISES.

Fixer les ENTRETOISES (K) aux EXTRÉMITÉS EXTERNES (A), MONTANTS (D et E) et DESSOUS (G). Utiliser huit VIS NOIRES TÊTE LARGE 14 mm (1S).

ÉTAPE 18

Fixer huit CONSOLES À ÉQUERRE (27G) aux ENTRETOISES (K). Utiliser huit VIS NOIRES TÊTE LARGE 14 mm (1S).

REMARQUE : S'assurer que les chants des CONSOLES À ÉQUERRE sont à fleur des chants des ENTRETOISES.

Fixer les ENTRETOISES (K) aux EXTRÉMITÉS EXTERNES (A), MONTANTS (D et E) et DESSOUS (G). Utiliser huit VIS NOIRES TÊTE LARGE 14 mm (1S).

ÉTAPE 19

Fixer les PLINTHES (N) et PLINTHES (DD) aux ENTRETOISES (K). Utiliser vingt-quatre VIS NOIRES TÊTE PLATE 32 mm (7S).

ÉTAPE 20

Fixer les CHARNIÈRES (14H) à la PORTE (L). Utiliser quatre VIS NOIRES TÊTE PLATE 13 mm (11S).

ÉTAPE 21

Relever, avec précaution, l'élément dans sa position verticale.

Avant de fixer la PORTE à l'unité, s'assurer que la vis de montage se trouve contre les butées comme l'indique le schéma de droite. Si ce n'est pas le cas, desserrer la vis de montage pour la faire glisser contre les butées. Serrer ensuite la vis de montage. La porte peut être ajustée à l'étape suivante.

Fixer la PORTE (L) à l'EXTRÉMITÉ GAUCHE (C). Utiliser les vis fournies avec les CHARNIÈRES. Voir l'étape suivante pour réglages de la porte.

Séparer un TAMPON EN FEUTRE de la FICHE AVEC TAMPONS EN FEUTRE (1M) et le coller sur la PORTE aux endroits où celle-ci entre en contact avec le MONTANT GAUCHE (E).

Enfoncer les MANCHONS EN CAOUTCHOUC (2R) sur les GOUPILLES EN MÉTAL (1R) restantes. Insérer les GOUPILLES EN MÉTAL dans les trous choisis de l'EXTRÉMITÉ GAUCHE (C) et du MONTANT GAUCHE (E). Poser la TABLETTE RÉGLABLE (M) sur les GOUPILLES EN MÉTAL.

Insérer le PASSE-CÂBLES (10P) dans le gros trou du DESSOUS (G).

ÉTAPE 22

Consulter le schéma agrandi pour identifier les pièces des CHARNIÈRES.

Il faut peut-être ajuster la PORTE. Suivre les indications ci-dessous pour ajuster.

RÉGLAGES DES PORTES :

Pour ajuster la PORTE latéralement (horizontalement), desserrer la vis de montage quelques tours et tourner la vis de réglage vers l'intérieur ou vers l'extérieur. Serrer la vis de montage après avoir ajusté.

Pour ajuster la PORTE de haut en bas (verticalement), desserrer les deux vis de réglage. Déplacer la PORTE verticalement à l'emplacement désiré. Serrer les vis après avoir ajusté.

Pour ajuster la PORTE vers l'intérieur ou vers l'extérieur (profondeur), desserrer la vis de montage un tour et déplacer la PORTE vers l'intérieur ou vers l'extérieur. Serrer la vis de après avoir ajusté.

ÉTAPE 23

Fixer les CÔTÉS DE TABLETTE DE CLAVIER (Q) à la TABLETTE DE CLAVIER (R). Utiliser quatre VIS NOIRES TÊTE PLATE 32 mm (7S).

Fixer les CÔTÉS DE TABLETTE DE CLAVIER (Q) à l'ARRIÈRE DE TABLETTE DE CLAVIER (P). Utiliser deux VIS NOIRES TÊTE PLATE 32 mm (7S).

ÉTAPE 24

Fixer les CHARNIÈRES DE TABLETTE DE CLAVIER (12H) au DEVANT DE TABLETTE DE CLAVIER (O). Utiliser quatre VIS ARGENTÉES TÊTE PLATE 16 mm (23S).

Fixer les CHARNIÈRES DE TABLETTE DE CLAVIER (12H) à la TABLETTE DE CLAVIER (R). Utiliser deux VIS ARGENTÉES TÊTE LARGE 14 mm (54S).

ÉTAPE 25

Fixer les COULISSES DE TIROIR (YY et ZZ) à la TABLETTE DE CLAVIER (R). Utiliser quatre VIS MARRON TÊTE PLATE 25 mm (18S).

REMARQUE : Les COULISSES DE TIROIR ont une inscription "DRAWER RIGHT" (droite) et une inscription "DRAWER LEFT" (gauche) pour faciliter leur identification.

Fixer deux BOUTONS (42K) au DEVANT DE TABLETTE DE TIROIR (O). Utiliser deux VIS NOIRE À MÉTAUX 22 mm (37S).

ÉTAPE 26

Fixer les CÔTÉS DE TIROIR (D33, D32, D34, D35, D36 et D37) aux ARRIÈRES DE TIROIR (D78, D77 et D74). Utiliser huit VIS NOIRES TÊTE PLATE 40 mm (30S).

REMARQUE : Le petit tiroir et le tiroir n'utiliseront qu'une VIS de chaque côté. S'assurer d'utiliser le trou supérieur.

Répéter cette étape pour les autres tiroirs.

ÉTAPE 27

Enfiler les FONDS DE TIROIR (D708 et D716) dans les rainures des CÔTÉS DE TIROIR (D33, D32, D34, D35, D36 et D37) et les ARRIÈRES DE TIROIR (D78, D77 et D74).

Répéter cette étape pour les autres tiroirs.

ÉTAPE 28

Séparer les CONSOLES DE DEVANT DE TIROIR (6G et 9G) et les enfiler dans les rainures des CÔTÉS DE TIROIR (D34, D35, D36 et D37).

REMARQUE : Les CONSOLES DE DEVANT DE TIROIR ont l'inscription "RH" (Droite) et l'inscription "LH" (Gauche) pour faciliter leur identification.

Fixer le DEVANT DROIT DE PETIT TIROIR (FF) aux CONSOLES DE DEVANT DE PETIT TIROIR (6G). Utiliser deux VIS NOIRES TÊTE LARGE 14 mm (1S).

Fixer le DEVANT DE CAISSON DE TIROIR (Z) aux CONSOLES DE DEVANT DE TIROIR (9G). Utiliser quatre VIS NOIRES TÊTE LARGE 14 mm (1S).

Fixer le DEVANT DROIT DE TIROIR (AA) au DEVANT DE CAISSON DE TIROIR (Z). Utiliser quatre VIS NOIRES TÊTE GOUTTE DE SUIF 28 mm (9S).

Répéter cette étape pour les autres tiroirs en utilisant les DEVANTS GAUCHES DE TIROIR (BB et GG).

ÉTAPE 29

Fixer les COULISSES D'EXTENSION (BBB) aux CÔTÉS DE PETIT TIROIR (D34 et D35) et aux CÔTÉS DE TIROIR (D36 et D37). Utiliser quatre VIS TÊTE PLATE 8 mm DORÉES (3S) à travers le premier trou et utiliser quatre VIS TÊTE PLATE 40 mm NOIRES (30S) à travers le dernier trou.

Fixer le BOUTON (42K) au DEVANT DROIT DE PETIT TIROIR (FF). Utiliser une VIS NOIRE À MÉTAUX 22 mm (37S).

Fixer le BOUTON (42K) au DEVANT DROIT DE TIROIR (AA). Utiliser une VIS ARGENTÉE À MÉTAUX 32 mm (35S) à travers le DEVANT DE CAISSON DE TIROIR, à travers le DEVANT DROIT DE TIROIR et dans le BOUTON.

Répéter cette étape pour l'autre tiroir et le petit tiroir.

ÉTAPE 30

Séparer les CONSOLES DE DEVANT DE GRAND TIROIR (10G) et les enfiler dans les rainures des CÔTÉS DE GRAND TIROIR (D33 et D32).

REMARQUE : Les CONSOLES DE DEVANT DE TIROIR ont l'inscription "RH" (Droite) et l'inscription "LH" (Gauche) pour faciliter leur identification.

Fixer le DEVANT DE CAISSON DU GRAND TIROIR (S) aux CONSOLES DE DEVANT DE TIROIR (10G). Utiliser quatre VIS NOIRES TÊTE LARGE 14 mm (1S).

Fixer le DEVANT DROIT DE GRAND TIROIR (T) au DEVANT DE CAISSON DU GRAND TIROIR (S). Utiliser quatre VIS NOIRES TÊTE GOUTTE DE SUIF 28 mm (9S).

Répéter cette étape pour l'autre grand tiroir en utilisant le DEVANT GAUCHE DE GRAND TIROIR (U).

ÉTAPE 31

Fixer les COULISSES D'EXTENSION LARGE (DDD) aux CÔTÉS DE GRAND TIROIR (D33 et D32). Utiliser quatre VIS DORÉES TÊTE PLATE 8 mm (3S) à travers les trous n° 1 et n° 4.

Fixer le BOUTON (42K) au DEVANT DROIT DE GRAND TIROIR (T). Utiliser une VIS ARGENTÉE À MÉTAUX 32 mm (35S) à travers le DEVANT DE CAISSON DE GRAND TIROIR, à travers le DEVANT DROIT DE GRAND TIROIR et dans le BOUTON.

Répéter cette étape pour l'autre grand tiroir.

ÉTAPE 32

Enfoncer une ARMATURE POUR DOSSIERS (6B) sur le CÔTÉ DROIT DE GRAND TIROIR (D33).

Enfiler les GUIDES POUR DOSSIERS (8B) dans l'ARMATURE POUR DOSSIERS (6B) située sur le CÔTÉ DROIT DE GRAND TIROIR.

Enfiler une autre ARMATURE POUR DOSSIERS (6B) sur l'autre extrémité des GUIDES POUR DOSSIERS (8B) et appuyer cette ARMATURE POUR DOSSIERS sur le CÔTÉ GAUCHE DE GRAND TIROIR (X).

Répéter cette étape pour l'autre grand tiroir.

ÉTAPE 33

Pour insérer les tiroirs dans l'élément, aligner les COULISSES D'EXTENSION du tiroir sur les GLISSIÈRES D'EXTENSION de l'élément et enfoncer le tiroir dans l'élément jusqu'à ce que le tiroir soit complètement inséré. Le tiroir offrira une certaine résistance jusqu'à ce qu'il soit complètement inséré dans l'élément, il glissera ensuite sans difficulté.

Pour insérer la TABLETTE DE CLAVIER (R) dans l'élément, abaisser le devant de la TABLETTE et faire passer les roulettes situées sur la TABLETTE derrière les roulettes situées sur l'élément. Relever le devant de la TABLETTE et l'enfiler dans l'élément.

Insérer les PASSE-CÂBLES (10P) et COUVERCLES DE PASSE-CÂBLES (1P) dans les gros trous du DESSUS (F).

REMARQUE : Prière de lire les informations importantes sur la sécurité figurant sur les pages arrière du manuel d'instructions.

Ceci complète l'assemblage. Nettoyer à l'aide d'une encaustique pour meubles ou d'un chiffon humide. Essuyer.

Use estas instrucciones de ensamblaje en español junto con las figuras paso-a-paso provistas en el folleto inglés. Cada paso en español corresponde al mismo paso en inglés. Se destacan las figuras de cada paso con una tonalidad oscura para mostrar precisamente cual parte se debe montar a la unidad. Compare la "Lista de Part" abajo con la "Part Identification" en el folleto en inglés para familiarizarse con Las partes de ensamblaje.

NOTA: ESTE FOLLETO DE INSTRUCCIONES CONTIENE INFORMACIÓN IMPORTANTE SOBRE LA SEGURIDAD. POR FAVOR LEA Y GUÁRDELO PARA REFERENCIA EN EL FUTURO.

ESTAMOS AQUI PARA AYUDAR!

Tratamos de asegurar que su mueble llega en condición excelente. Nuestros representantes de Servicio al Cliente son amables y listos para ayudarle con servicio rápido y eficiente si una parte está defectuosa o ausente (o si necesita ayuda con el ensamblaje). **NO DEVUELVA LA UNIDAD A LA TIENDA.** Llame este número sin cargo:

1-800-523-3987

Lunes a viernes, 9:00 a.m. - 5:30 p.m.

**Hora oficial del Este
(excepto días festivos)**

Si requiere un repuesto de una parte, será enviado dentro de 48 horas (excepto los fines de semana y días festivos)

A l'usage exclusif du Canada Noter la date d'achat de cet élément et conserver le livret pour future référence. Pour contacter Sauder en ce qui concerne cet élément, faire référence au numéro de lot et numéro de modèle en appelant notre numéro sans frais.

Lot n° : _____

Date de l'achat: _____

LISTA DE PARTES			LISTA DE PARTES		
ITEM	DESCRIPCIÓN	CANTIDAD	ITEM	DESCRIPCIÓN	CANTIDAD
A	EXTREMO EXTERIOR.....	2	AA	CARA DERECHA DE CAJÓN.....	1
B	EXTREMO DERECHO.....	1	BB	CARA IZQUIERDA DE CAJÓN.....	1
C	EXTREMO IZQUIERDO.....	1	D77	DORSO DE CAJÓN.....	2
D	PARAL DERECHO.....	1	DD	BASE.....	8
E	PARAL IZQUIERDO.....	1	D37	LADO IZQUIERDO DE CAJÓN.....	2
F	PANEL SUPERIOR.....	1	FF	CARA DERECHA DE CAJÓN PEQUEÑO.....	1
G	FONDO.....	2	GG	CARA IZQUIERDA DE CAJÓN PEQUEÑO.....	1
H	VELO DE FONDO.....	1	D74	DORSO DE CAJÓN PEQUEÑO.....	2
I	DORSO.....	1	D34	LADO DERECHO DE CAJÓN PEQUEÑO.....	2
J	DORSO DEL PEDESTAL.....	1	D35	LADO IZQUIERDO DE CAJÓN PEQUEÑO.....	2
K	RIOSTRA.....	4	D716	FONDO DE CAJÓN.....	4
L	PUERTA.....	1	LL	MOLDURA POSTERIOR DE PANEL SUPERIOR.....	1
M	ESTANTE AJUSTABLE.....	1	MM	MOLDURA POSTERIOR SUPERIOR.....	1
N	FALDÓN.....	4	NN	MOLDURA LATERAL.....	2
O	CARA DE ESTANTE DE TECLADO.....	1	OO	MOLDURA INFERIOR.....	1
P	DORSO DE ESTANTE DE TECLADO.....	1	PP	MOLDURA SUPERIOR.....	1
Q	LADO DE ESTANTE DE TECLADO.....	2	M35	MOLDURA.....	4
R	ESTANTE DE TECLADO.....	1	RR	MOLDURA IZQUIERDA DE FONDO.....	2
S	FRENTE DE CAJÓN GRANDE.....	2	D36	LADO DERECHO DE CAJÓN.....	2
T	CARA DERECHA DE CAJÓN GRANDE.....	1	TT	MOLDURA DERECHA DE FONDO.....	2
U	CARA IZQUIERDA DE CAJÓN GRANDE.....	1	UU	MOLDURA DELANTERA DE PANEL SUPERIOR.....	1
D78	DORSO DE CAJÓN GRANDE.....	2	VV	MEDIO CÍRCULO.....	8
D33	LADO DERECHO DE CAJÓN GRANDE.....	2			
D32	LADO IZQUIERDO DE CAJÓN GRANDE.....	2			
D708	FONDO DE CAJÓN GRANDE.....	2			
Z	FRENTE DE CAJÓN.....	2			

LISTA DE PARTES			LISTA DE PARTES		
ITEM	DESCRIPCIÓN	CANTIDAD	ITEM	DESCRIPCIÓN	CANTIDAD
WW	RIEL DERECHO DE GABINETE.....	1	1S	TORNILLO NEGRO DE	
XX	RIEL IZQUIERDO DE GABINETE.....	1		CABEZA GRANDE de 14 mm.....	106
ZZ	CORREDERA IZQUIERDA DE CAJÓN.....	1	2S	TORNILLO NEGRO DE	
YY	CORREDERA DERECHA DE CAJÓN.....	1		CABEZA PERDIDA de 48 mm.....	8
	(JUEGO DE EXTENSIÓN SE MUESTRA POR SEPARADO)		3S	TORNILLO DORADO DE	
AAA	RIEL DE EXTENSIÓN.....	8		CABEZA PERDIDA de 8 mm.....	48
BBB	CORREDERA DE EXTENSIÓN.....	8	7S	TORNILLO NEGRO DE	
	(JUEGO DE EXTENSIÓN SE MUESTRA POR SEPARADO)			CABEZA PERDIDA de 32 mm.....	46
CCC	RIEL DE EXTENSIÓN ANCHO.....	4	9S	TORNILLO NEGRO DE	
DDD	CORREDERA DE EXTENSIÓN ANCHA.....	4		CABEZA REDONDA de 28 mm.....	16
6B	CORRIMIENTO DE ARCHIVERO.....	4	11S	TORNILLO NEGRO DE	
8B	VARILLA DE ARCHIVERO.....	4		CABEZA PERDIDA de 13 mm.....	4
1F	EXCÉNTRICO ESCONDIDO.....	8	18S	TORNILLO MARRÓN DE	
2F	PASADOR DE EXCÉNTRICO.....	8		CABEZA PERDIDA de 25 mm.....	12
7F	SUJETADOR TWIST-LOCK®.....	25	23S	TORNILLO PLATEADO DE	
17F	CONECTOR DE MOLDURA.....	4		CABEZA PERDIDA de 16 mm.....	4
6G	MÉNSULA DE CARA		30S	TORNILLO NEGRO DE	
	DE CAJÓN PEQUEÑO.....	2		CABEZA PERDIDA de 40 mm.....	24
9G	MÉNSULA DE CARA DE CAJÓN.....	2	35S	TORNILLO PLATEADO	
10G	MÉNSULA DE CARA			PARA METAL de 32 mm.....	4
	DE CAJÓN GRANDE.....	4	37S	TORNILLO NEGRO PARA METAL	
19G	SOPORTE DE METAL.....	2		de 22 mm.....	4
27G	SOPORTE ANGULAR.....	40	54S	TORNILLO PLATEADO DE	
12H	BISAGRA DE ESTANTE DE TECLADO.....	2		CABEZA GRANDE de 14 mm.....	2
14H	BISAGRA.....	2	100S	TORNILLO NEGRO DE CABEZA	
42K	POMO.....	8		PERDIDA de 70 mm.....	3
1M	TARJETA CON TOPES DE FIELTRO.....	1			
1P	CUBIERTA DE OJAL.....	2			
9P	GRAPA DEL CABLE.....	1			
10P	OJAL.....	3			
1R	ESPIGA DE METAL.....	8			
2R	MANGUITO DE GOMA.....	4			

PASO 1

No apriete los SUJETADORES TWIST-LOCK® en este paso.

Ensamble la unidad sobre un piso alfombrado o sobre el cartón vacío para evitar rayar la unidad o el piso.

Para comenzar el ensamblaje, empuje un SUJETADOR TWIST-LOCK® SAUDER (7F) dentro de los agujeros grandes de los EXTREMOS EXTERIORES (A).

Repita este paso para los EXTREMOS (B y C), los PARALES (D y E), los FONDOS (G), el VELO DE FONDO (H) y la MOLDURA POSTERIOR SUPERIOR (MM).

PASO 2

No apriete los EXCÉNTRICOS ESCONDIDOS en este paso.

Empuje ocho EXCÉNTRICOS ESCONDIDOS (1F) dentro de los FONDOS (G). A continuación, inserte el extremo de metal de un PASADOR DE EXCÉNTRICO (2F) dentro de cada EXCÉNTRICO ESCONDIDO.

PASO 3

NOTA: Antes de comenzar este paso, separe los JUEGOS DE EXTENSIÓN (AAA y BBB) de los JUEGOS DE EXTENSIÓN ANCHOS (CCC y DDD). No mezcle estos JUEGOS una vez que estén separados.

Separe las CORREDERAS DE EXTENSIÓN (BBB) de los RIELES DE EXTENSIÓN (AAA) como se muestra en el diagrama superior. Prepárese, las piezas son grasientas.

Fije los RIELES DE EXTENSIÓN (AAA) a los EXTREMOS (B y C) y a los PARALES (D y E). Utilice dieciséis TORNILLOS DORADOS DE CABEZA PERDIDA de 8 mm (3S).

NOTA: Para cada RIEL DE EXTENSIÓN, atornille un TORNILLO dentro del agujero indicado en el diagrama ampliado. A continuación deslice el cartucho interno del RIEL DE EXTENSIÓN hacia el interior para encontrar el otro agujero que se alinea con el agujero del EXTREMO y PARAL. Atornille un TORNILLO dentro de este agujero.

PASO 4

Separe las CORREDERAS DE EXTENSIÓN ANCHAS (DDD) de los RIELES DE EXTENSIÓN (CCC) como se muestra en el diagrama superior. Prepárese, las piezas son grasientas.

Fije los RIELES DE EXTENSIÓN ANCHOS (CCC) a los EXTREMOS (B y C) y a los PARALES (D y E). Utilice doce TORNILLOS DORADOS DE CABEZA PERDIDA de 8 mm (3S).

NOTA: Para cada RIEL DE EXTENSIÓN, atornille un TORNILLO dentro del agujero indicado en el diagrama ampliado. A continuación, deslice el cartucho interno del RIEL

PASO 4 (CONTINUACIÓN)

NOTA: DE EXTENSIÓN hacia el interior para encontrar los otros agujeros que se alinean con los agujeros de los EXTREMOS y PARALES. Atornille un TORNILLO dentro de este agujero.

Fije cuatro SOPORTES ANGULARES (27G) al EXTREMO DERECHO (B) y al PARAL DERECHO (D). Utilice cuatro TORNILLOS NEGROS DE CABEZA GRANDE de 14 mm (1S).

NOTA: Asegúrese que los bordes de los SOPORTES ANGULARES estén nivelados con los bordes del EXTREMO y del PARAL.

PASO 5

Fije los RIELES DE GABINETE (WW y XX) a la otra superficie de los PARALES (D y E). Utilice cuatro TORNILLOS DORADOS DE CABEZA PERDIDA de 8 mm (3S).

NOTA: Los RIELES DE GABINETE tienen la inscripción "CABINET RIGHT" (derecho) y la inscripción "CABINET LEFT" (izquierdo) para identificarlos fácilmente.

PASO 6

Ligeramente clave cuatro CONECTORES DE MOLDURA (17F) dentro de las muescas de las MOLDURAS DE PANEL SUPERIOR (LL y UU) y de las MOLDURAS LATERALES (NN).

PASO 7

Fije las MOLDURAS DE PANEL SUPERIOR (LL y UU) y las MOLDURAS LATERALES (NN) al PANEL SUPERIOR (F). Utilice dieciséis TORNILLOS NEGROS DE CABEZA PERDIDA de 32 mm (7S).

PASO 8

Cómo utilizar el SUJETADOR TWIST-LOCK® SAUDER

1. Inserte el extremo con cabilla del SUJETADOR dentro del agujero de la parte adjunta.

NOTA: El extremo con cabilla del SUJETADOR debe quedarse completamente insertado en el agujero de la parte adjunta cuando se enclava el SUJETADOR.

2. Apriete el SUJETADOR lo más apretado posible con un destornillador Phillips (cruz).

Fije los SOPORTES DE METAL (19G) a la MOLDURA POSTERIOR SUPERIOR (MM). Utilice dos TORNILLOS NEGROS DE CABEZA GRANDE de 14 mm (1S).

Fije la MOLDURA POSTERIOR SUPERIOR (MM) a la MOLDURA POSTERIOR DE PANEL SUPERIOR (LL) sobre el PANEL SUPERIOR (F). Apriete tres SUJETADORES TWIST-LOCK®.

PASO 9

Fije los MEDIOS CÍRCULOS (VV) a las BASES (DD). Utilice ocho TORNILLOS MARRONES DE CABEZA PERDIDA de 25 mm (18S).

Fije veinte SOPORTES ANGULARES (27G) a los EXTREMOS EXTERIORES (A). Utilice veinte TORNILLOS NEGROS DE CABEZA GRANDE de 14 mm (1S).

NOTA: Asegúrese que los bordes de los SOPORTES ANGULARES estén nivelados con los bordes de los EXTREMOS EXTERIORES.

PASO 10

Fije los EXTREMOS EXTERIORES (A) a las MOLDURAS LATERALES (NN) sobre el PANEL SUPERIOR (F). Apriete cuatro SUJETADORES TWIST-LOCK®.

PASO 11

Fije las BASES (DD) y las MOLDURAS (M35) a los EXTREMOS EXTERIORES (A). Utilice veinte TORNILLOS NEGROS DE CABEZA GRANDE de 14 mm (1S).

PASO 12

Fije los EXTREMOS (B y C) al PANEL SUPERIOR (F). Apriete cuatro SUJETADORES TWIST-LOCK®.

PASO 13

Fije los FONDOS (G) a los EXTREMOS EXTERIORES (A). Apriete cuatro SUJETADORES TWIST-LOCK®.

Fije los FONDOS (G) a los EXTREMOS (B y C). Utilice cuatro TORNILLOS NEGROS DE CABEZA PERDIDA de 48 mm (2S).

Inserte cuatro ESPIGAS DE METAL (1R) en el DORSO DEL PEDESTAL (J).

Inserte las ESPIGAS DE METAL (1R) en uno de los extremos del DORSO DEL PEDESTAL (J) entre los agujeros en el EXTREMO IZQUIERDO (C).

PASO 14

Fije los PARALES (D y E) al PANEL SUPERIOR (F) y a los FONDOS (G). Apriete ocho SUJETADORES TWIST-LOCK®.

NOTA: Asegúrese de que las ESPIGAS DE METAL en el DORSO DEL PEDESTAL (J) se inserten en los agujeros en el PARAL IZQUIERDO (E).

Fije la MOLDURA POSTERIOR SUPERIOR (MM) a los PARALES (D y E). Introduzca cuatro TORNILLOS NEGROS DE CABEZA GRANDE de 14 mm (1S) por entre los SOPORTES DE METAL en la MOLDURA POSTERIOR SUPERIOR y por entre los PARALES.

PASO 15

Fije el VELO DE FONDO (H) al PANEL SUPERIOR (F). Apriete dos SUJETADORES TWIST-LOCK®.

Fije el VELO DE FONDO (H) a los PARALES (D y E). Utilice cuatro TORNILLOS NEGROS DE CABEZA PERDIDA de 48 mm (2S).

Fije las MOLDURAS (OO y PP) al VELO DE FONDO. Introduzca tres TORNILLOS NEGROS DE CABEZA PERDIDA de 70 mm (100S) a través de la MOLDURA INFERIOR, de la MOLDURA SUPERIOR y por entre el VELO DE FONDO.

Empuje la GRAPA DEL CABLE (9P) dentro del agujero en el PANEL SUPERIOR (F).

NOTA: La GRAPA DE CABLE se utiliza para dirigir sus cables.

PASO 16

NOTA: Es posible que necesite de la ayuda de alguien para sostener el DORSO en su lugar mientras lo ajusta a su unidad.

Fije el DORSO (I) al EXTREMO DERECHO (B) y al PARAL DERECHO (D). Utilice cuatro TORNILLOS NEGROS DE CABEZA GRANDE de 14 mm (1S) a través de los SOPORTES ANGULARES del EXTREMO y PARAL.

Fije las MOLDURAS DE FONDO (RR y TT) a los FONDOS (G). Apriete ocho EXCÉNTRICOS ESCONDIDOS.

Precaución: Riesgo de daños o heridas. Los Excéntricos Escondidos deben apretarse completamente. Los Excéntricos Escondidos que no se aprieten completamente se aflojarán y las partes pueden separarse. Para apretar completamente, atornille el excéntrico escondido 210 grados.

PASO 17

Fije ocho SOPORTES ANGULARES (27G) a las RIOSTRAS (K). Utilice ocho TORNILLOS NEGROS DE CABEZA GRANDE de 14 mm (1S).

NOTA: Asegúrese que los bordes de los SOPORTES ANGULARES estén nivelados con los bordes de las RIOSTRAS.

Fije las RIOSTRAS (K) a los EXTREMOS EXTERIORES (A), a los PARALES (D y E) y a los FONDOS (G). Utilice ocho TORNILLOS NEGROS DE CABEZA GRANDE de 14 mm (1S).

PASO 18

Fije ocho SOPORTES ANGULARES (27G) a las RIOSTRAS (K). Utilice ocho TORNILLOS NEGROS DE CABEZA GRANDE de 14 mm (1S).

NOTA: Asegúrese que los bordes de los SOPORTES ANGULARES estén nivelados con los bordes de las RIOSTRAS.

Fije las BASES (K) a los EXTREMOS EXTERIORES (A), a los PARALES (D y E) y a los FONDOS (G). Utilice ocho TORNILLOS NEGROS DE CABEZA GRANDE de 14 mm (1S).

PASO 19

Fije los FALDONES (N) y las BASES (DD) a las RIOSTRAS (K). Utilice veinticuatro TORNILLOS NEGROS DE CABEZA PERDIDA de 32 mm (7S).

PASO 20

Fije las BISAGRAS (14H) a la PUERTA (L). Utilice cuatro TORNILLOS NEGROS DE CABEZA PERDIDA de 13 mm (11S).

PASO 21

Cuidadosamente ponga la unidad en posición vertical.

Antes de ajustar la PUERTA en su unidad, asegúrese de que el tornillo de montaje esté contra los topes, tal como se muestra en el diagrama de la derecha. Si no lo está, afloje el tornillo de montaje para que se deslice contra los topes. Luego apriete el tornillo de montaje. Los ajustes de la puerta se harán en el siguiente paso.

Fije la PUERTA (L) al EXTREMO IZQUIERDO (C). Utilice los tornillos provistos de las BISAGRAS. Consulte el próximo paso para ajustar las puertas.

Separe un TOPE DE FIELTRO de la TARJETA CON TOPES DE FIELTRO (1M) y aplique este tope sobre la PUERTA por donde hace contacto con el PARAL IZQUIERDO (E).

Empuje los MANGUITOS DE GOMA (2R) sobre las ESPIGAS DE METAL (1R) que quedan. Inserte las ESPIGAS DE METAL dentro de los agujeros al nivel preferido del EXTREMO IZQUIERDO (C) y del PARAL IZQUIERDO (E). Coloque el ESTANTE AJUSTABLE (M) sobre las ESPIGAS DE METAL.

Inserte el OJAL (10P) dentro del agujero grande del FONDO (G).

PASO 22

Consulte el diagrama ampliado para identificar las piezas de las BISAGRAS.

La PUERTA puede requerir ajustes. Siga el texto abajo para hacer los ajustes necesarios.

AJUSTE DE LA PUERTA:

Para ajustar la PUERTA de un lado al otro (horizontalmente), afloje el tornillo de montaje varias vueltas y gire el tornillo de ajuste hacia el interior o hacia el exterior. Apriete el tornillo de montaje después de hacer los ajustes.

Para ajustar la PUERTA hacia arriba o hacia abajo (vertical), afloje los dos tornillos de ajuste. Mueva la PUERTA hacia arriba o hacia abajo a la ubicación deseada. Apriete los tornillos después de hacer los ajustes.

Para ajustar la PUERTA hacia atrás o hacia adelante (profundidad), afloje el tornillo de montaje una vuelta y mueva la PUERTA hacia el interior o hacia el exterior según sea necesario. Apriete el tornillo de montaje después de hacer los ajustes.

PASO 23

Fije los LADOS DE ESTANTE DE TECLADO (Q) al ESTANTE DE TECLADO (R). Utilice cuatro TORNILLOS NEGROS DE CABEZA PERDIDA de 32 mm (7S).

Fije los LADOS DE ESTANTE DE TECLADO (Q) al DORSO DE ESTANTE DE TECLADO (P). Utilice dos TORNILLOS NEGROS DE CABEZA PERDIDA de 32 mm (7S).

PASO 24

Fije las BISAGRAS DE ESTANTE DE TECLADO (12H) a la CARA DE ESTANTE DE TECLADO (O). Utilice cuatro TORNILLOS PLATEADOS DE CABEZA PERDIDA de 16 mm (23S).

Fije las BISAGRAS DE ESTANTE DE TECLADO (12H) al ESTANTE DE TECLADO (R). Utilice dos TORNILLOS PLATEADOS DE CABEZA GRANDE de 14 mm (54S).

PASO 25

Fije las CORREDERAS DE CAJÓN (YY y ZZ) al ESTANTE DE TECLADO (R). Utilice cuatro TORNILLOS MARRONES DE CABEZA PERDIDA de 25 mm (18S).

NOTA: Las CORREDERAS DE CAJÓN tienen una inscripción "DRAWER RIGHT" (derecha) y una inscripción "DRAWER LEFT" (izquierda) para identificarlas fácilmente.

Fije dos POMOS (42K) a la CARA DE ESTANTE DE TECLADO (O). Utilice dos TORNILLO NEGRO PARA METAL de 22 mm (37S).

PASO 26

Fije los LADOS DE CAJÓN (D33, D32, D34, D35, D36 y D37) a los DORSOS DE CAJÓN (D78, D77 y D74). Utilice ocho TORNILLOS NEGROS DE CABEZA PERDIDA de 40 mm (30S).

NOTA: El cajón pequeño y el cajón sólo llevarán un TORNILLO en cada lado. Asegúrese de usar el agujero superior.

Repita este paso para los otros cajones.

PASO 27

Deslice los FONDOS DE CAJÓN (D708 y D716) dentro de las ranuras de los LADOS DE CAJÓN (D33, D32, D34, D35, D36 y D37) y de los DORSOS DE CAJÓN (D78, D77 y D74).

Repita este paso para los otros cajones.

PASO 28

Separe las MÉNSULAS DE CARA DE CAJÓN (6G e 9G) y deslícelas dentro de las ranuras de los LADOS DE CAJÓN (D34, D35, D36 y D37).

NOTA: Las MÉNSULAS DE CARA DE CAJÓN tienen una inscripción "RH" (derecha) y una inscripción "LH" (izquierda) para identificarlas fácilmente.

Fije la CARA DERECHA DE CAJÓN PEQUEÑO (FF) a las MÉNSULAS DE CARA DE CAJÓN PEQUEÑO (6G). Utilice dos TORNILLOS NEGROS DE CABEZA GRANDE de 14 mm (1S).

Fije el FRENTE DE CAJÓN (Z) a las MÉNSULAS DE CARA DE CAJÓN (9G). Utilice cuatro TORNILLOS NEGROS DE CABEZA GRANDE de 14 mm (1S).

Fije la CARA DERECHA DE CAJÓN (AA) al FRENTE DE CAJÓN (Z). Utilice cuatro TORNILLOS NEGROS DE CABEZA REDONDA de 28 mm (9S).

Repita este paso para los otros cajones utilizando las CARAS IZQUIERDAS DE CAJÓN (BB y GG).

PASO 29

Fije las CORREDERAS DE EXTENSIÓN (BBB) a los LADOS DE CAJÓN PEQUEÑO (D34 y D35) y a los LADOS DE CAJÓN (D36 y D37). Introduzca cuatro TORNILLOS DORADOS DE CABEZA PERDIDA de 8 mm (3S) a través del primer agujero e introduzca cuatro TORNILLOS NEGROS DE CABEZA PERDIDA de 40 mm (30S) a través del último agujero.

Fije el POMO (42K) a la CARA DERECHA DE CAJÓN PEQUEÑO (FF). Utilice dos TORNILLO NEGRO PARA METAL de 22 mm (37S).

Fije el POMO (42K) a la CARA DERECHA DE CAJÓN (AA). Pase un TORNILLO PLATEADO PARA METAL de 32 mm (35S) a través del FRENTE DE CAJÓN, a través de la CARA DERECHA DE CAJÓN y dentro del POMO.

Repita este paso para el otro cajón y el cajón pequeño.

PASO 30

Separe las MÉNSULAS DE CARA DE CAJÓN GRANDE (10G) y deslícelas dentro de las ranuras de los LADOS DE CAJÓN GRANDE (D33 y D32).

NOTA: Las MÉNSULAS DE CARA DE CAJÓN tienen una inscripción "RH" (derecha) y una inscripción "LH" (izquierda) para identificarlas fácilmente.

Fije el FRENTE DE CAJÓN GRANDE (S) a las MÉNSULAS DE CARA DE CAJÓN (10G). Utilice cuatro TORNILLOS NEGROS DE CABEZA GRANDE de 14 mm (1S).

Fije la CARA DERECHA DE CAJÓN GRANDE (T) al FRENTE DE CAJÓN GRANDE (S). Utilice cuatro TORNILLOS NEGROS DE CABEZA REDONDA de 28 mm (9S).

Repita este paso para el otro cajón grande utilizando la CARA IZQUIERDA DE CAJÓN GRANDE (U).

PASO 31

Fije las CORREDERAS DE EXTENSIÓN LARGAS (DDD) a los LADOS DE CAJÓN GRANDE (D33 y D32). Utilice cuatro tornillos DORADOS DE CABEZA PERDIDA de 8 mm (3S) a través de los agujeros No. 1 y No. 4.

Fije el POMO (42K) a la CARA DERECHA DE CAJÓN GRANDE (T). Pase un TORNILLO PLATEADO PARA METAL de 32 mm (35S) a través del FRENTE DE CAJÓN GRANDE, a través de la CARA DERECHA DE CAJÓN GRANDE y dentro del POMO.

Repita este paso para el otro cajón grande.

PASO 32

Empuje un CORRIMIENTO DE ARCHIVERO (6B) sobre el LADO DERECHO DE CAJÓN GRANDE (D33).

Deslice las VARILLAS DE ARCHIVERO (8B) dentro del CORRIMIENTO DE ARCHIVERO (6B) sujeta al LADO DERECHO DE CAJÓN GRANDE.

Deslice otro CORRIMIENTO DE ARCHIVERO (6B) sobre el otro extremo de las VARILLAS DE ARCHIVERO (8B) y presione este CORRIMIENTO DE ARCHIVERO sobre el LADO IZQUIERDO DE CAJÓN GRANDE (X).

Repita este paso para el otro cajón grande.

PASO 33

Para insertar los cajones dentro de la unidad, alinee las CORREDERAS DE EXTENSIÓN sujetadas al cajón con los RIELES DE EXTENSIÓN sujetados a la unidad y empuje el cajón dentro de la unidad hasta que el cajón está completamente insertado. El cajón mueve con dificultad hasta que se inserte completamente dentro de la unidad, después deslizará fácilmente hacia dentro y hacia fuera.

Para insertar el ESTANTE DE TECLADO (R) dentro de la unidad, incline la parte delantera del ESTANTE hacia abajo y deje que los rodillos del ESTANTE caigan detrás de los rodillos de la unidad. Levante la parte delantera del ESTANTE y deslícelo dentro de la unidad.

Inserte los OJALES (10P) y las CUBIERTAS DE OJAL (1P) dentro de los agujeros grandes del PANEL SUPERIOR (F).

NOTA: Por favor, lea las páginas de atrás del folleto de instrucciones en cuanto a importante información de seguridad.

Esto completa el ensamblaje. Limpie con su pulimento para muebles preferido o un paño húmedo. Seque con un paño.

⚠ WARNING

Please use your furniture correctly and safely. Improper use can cause safety hazards, or damage to your furniture or household items. **Carefully read the following chart.**

Look out for:	What can happen:	How to avoid the problem:
<ul style="list-style-type: none"> Overloaded shelves and drawers. Improper loading can cause the product to be top-heavy. 	<ul style="list-style-type: none"> Risk of injury. Top-heavy furniture can tip over. Overloaded shelves and drawers can break. 	<ul style="list-style-type: none"> Never exceed the weight limits shown in the instructions. Work from bottom to top when loading shelves and drawers. Place the heavier items on the lower shelves or in lower drawers.
<ul style="list-style-type: none"> Improperly moving furniture that is not designed and equipped with casters. 	<ul style="list-style-type: none"> Furniture can tip over or break if improperly moved. Physical injury. Furniture can be very heavy. Breakage of tops - particularly with double pedestal furniture (drawers at both ends). 	<ul style="list-style-type: none"> Unload shelves and drawers from top to bottom before moving the unit. Do not push furniture, especially on a carpeted floor. Have a friend help you lift the item and set it in place. Provide support to the center section of the top when lifting the furniture.
<ul style="list-style-type: none"> Placing TVs on furniture items that are not designed to support a television is hazardous. 	<ul style="list-style-type: none"> Risk of injury or death. TVs can be very heavy. Plus the weight and location of the picture tube tends to make TVs unbalanced and prone to tipping forward. 	<ul style="list-style-type: none"> This product is not designed to support a television.

⚠ AVERTISSEMENT

Prière d'utiliser le mobilier à bon escient et avec prudence. Une mauvaise utilisation peut être à l'origine de risques d'accident ou peut endommager le mobilier et les articles ménagers. **Lire attentivement le tableau suivant.**

À surveiller :	Danger éventuel :	Solution :
<ul style="list-style-type: none"> Tablettes et tiroirs surchargés. En cas de chargement inadéquat l'élément peut être lourd du haut. 	<ul style="list-style-type: none"> Risque de blessure. Du mobilier mal équilibré risque de se renverser. Tablettes et tiroirs surchargés risquent de casser. 	<ul style="list-style-type: none"> Ne jamais excéder les limites de poids indiquées dans les instructions. Pour charger les tablettes et tiroirs, commencer par remplir celui du bas pour finir par celui du haut. Placer les articles plus lourds sur les tablettes inférieures ou dans les tiroirs inférieurs.
<ul style="list-style-type: none"> Déplacement inadéquat d'un mobilier qui n'est pas conçu pour avoir des roulettes et n'en est pas équipé.. 	<ul style="list-style-type: none"> Le mobilier risque de se renverser ou de casser en cas de déplacement inadéquat. Blessure physique. Le mobilier peut être très lourd. Défaillance des dessus surtout avec les éléments de double piédestaux (tiroirs en chaque extrémité). 	<ul style="list-style-type: none"> Décharger les tablettes et tiroirs en commençant par celui du haut avant de déplacer l'élément. Ne pas pousser le meuble, surtout sur la moquette. Se faire aider par une autre personne pour soulever l'élément et le mettre en place. Supporter la section centrale du dessus lorsque l'on soulève le meuble.
<ul style="list-style-type: none"> Il est dangereux de placer des téléviseurs sur des meubles que ne sont pas prévus à cet effet. 	<ul style="list-style-type: none"> Risque de blessures graves, voire mortelles. Les téléviseurs peuvent être particulièrement lourds. De plus, le poids et l'emplacement du tube image ont tendance à rendre les téléviseurs instables et enclins à tomber vers l'avant. 	<ul style="list-style-type: none"> Ce produit n'est pas destiné à supporter un téléviseur.

⚠️ ADVERTENCIA

Por favor use el mobiliario correcta y seguramente. El mal uso puede causar riesgos de seguridad o daño a las unidades o artículos domésticos. **Cuidadosamente lea la tabla a continuación.**

Esté alerta de:	Puede ocurrir:	Evitar el problema:
<ul style="list-style-type: none">• Estantes y cajones sobrecargados• Cargar el producto de manera inadecuada puede causar la inestabilidad.	<ul style="list-style-type: none">• Riesgo de lesiones.• El mobiliario inestable puede volcarse.• Estantes y cajones sobrecargados pueden romperse.	<ul style="list-style-type: none">• Nunca exceder los límites de peso indicados en las instrucciones.• Cargue los estantes y cajones a partir de la base y trabaje hacia arriba. Coloque los artículos más pesados sobre los estantes inferiores o en los cajones inferiores.
<ul style="list-style-type: none">• Mover incorrectamente el mobiliario que no está diseñado y provisto con ruedecitas.	<ul style="list-style-type: none">• La inclinación o rotura del mobiliario es posible si se mueve de manera inadecuada.• Lesión física. El mobiliario puede ser muy pesado.• Rotura de las superficies especialmente las unidades con dos pedestales (con cajones en cada extremo).	<ul style="list-style-type: none">• Descargue los estantes y cajones desde arriba hacia abajo antes de mover la unidad.• No empuje la unidad, especialmente sobre un piso alfombrado. Pide la ayuda de otra persona para levantar la unidad y colocarla en lugar• Soporte la sección central del panel superior cuando levanta el mueble.
<ul style="list-style-type: none">• Es peligroso colocar los televisores sobre unidades de mobiliario que no están diseñadas para soportar un televisor.	<ul style="list-style-type: none">• Riesgo de lesiones o muerte. Los televisores pueden ser muy pesados. Además, el peso y la ubicación del tubo de imagen tienden a causar la inestabilidad de televisores y propensa a volcarse hacia adelante.	<ul style="list-style-type: none">• Este producto no está diseñado para soportar un televisor.

5-YEAR LIMITED WARRANTY

1. Sauder Woodworking Co. (Sauder®) provides limited warranty coverage to the original purchaser of this product for a period of five years from the date of purchase against defects in materials or workmanship of Sauder furniture components. As used in this Warranty, "defect" means imperfections in components which substantially impair the utility of the product. This Warranty gives you specific legal rights, and you may also have other rights which vary from state to state.

2. There is no warranty coverage for defects or conditions that result from the failure to follow product assembly instructions, information or warnings, misuse or abuse, intentional damage, fire, flood, alteration or modification of the product, or use of the product in a manner inconsistent with its intended use, nor any condition resulting from incorrect or inadequate maintenance, cleaning, or care. There is also no warranty coverage for rented products or any products purchased "used" or "as is", at a distress or going-out-of business sale, or from a liquidator.

3. As the exclusive remedy under this Warranty, Sauder will (at its sole option) repair or replace any defective furniture component. Sauder may require independent confirmation of the claimed defect and proof of purchase. Replacement parts will be warranted for only the remaining period of the original Warranty. SAUDER SHALL HAVE NO LIABILITY FOR ANY INCIDENTAL OR CONSEQUENTIAL DAMAGES OF ANY KIND and all such damages are EXCLUDED FROM THIS WARRANTY, such as loss of use, disassembly, transportation, labor or damage to property on or near the product. Some states do not allow the exclusion or limitation of incidental or consequential damages, so the above limitation or exclusion may not apply to you.

GARANTIE LIMITÉE DE 5 ANS

1. Sauder Woodworking Co. (Sauder®) offre une couverture de garantie limitée à l'acheteur initial du présent produit pendant une période de cinq ans à compter de la date d'achat contre tout défaut de matériaux ou de fabrication des composantes de mobilier Sauder. Le mot « défaut », tel qu'il est utilisé sous les termes de la présente garantie, comprend les imperfections des pièces qui empêchent substantiellement l'utilisation du produit. La présente garantie vous donne des droits légaux spécifiques et il est possible que vous ayez des droits supplémentaires variant d'État en État ou de province en province.

2. La présente garantie ne saurait couvrir les défauts ou conditions qui surviendraient à la suite du non respect des instructions, informations ou mises en garde de montage, d'une mauvaise utilisation ou d'un abus, d'un dommage intentionnel, d'un incendie, d'une inondation, d'une altération ou modification du produit, d'une utilisation du produit allant à l'encontre de son usage prévu, ni aucune condition résultant d'une maintenance, d'un nettoyage ou d'un entretien inappropriés ou inadéquats. De plus, il n'existe aucune garantie pour les produits loués ou tous les produits achetés « d'occasion » ou « en l'état », dans le cadre d'une vente aux enchères ou de solde pour cessation de commerce, ou auprès d'un liquidateur.

3. En tant que recours exclusif en vertu de la présente garantie, Sauder réparera ou remplacera (sur sa seule décision) toute composante de mobilier défectueuse. Sauder peut exiger une confirmation indépendante du défaut revendiqué ainsi qu'une preuve d'achat. Les pièces de rechange seront garanties uniquement pendant la période restante de la garantie originale. SAUDER NE SERA EN AUCUN CAS RESPONSABLE DE TOUT DOMMAGE ACCESSOIRE OU CONSÉCUTIF DE TOUTE SORTE et lesdits dommages sont EXCLUS DE LA PRÉSENTE GARANTIE, à savoir perte d'utilisation, démontage, transport, main d'œuvre ou dommages matériels sur ou à proximité du produit. Certains États ou provinces ne permettant pas l'exclusion ou la limite aux responsabilités pour dommages accidentels ou consécutifs, la limite ou l'exclusion ci-dessus peut ne pas être applicable.

GARANTÍA LIMITADA DE 5 AÑOS

1. Sauder Woodworking Co. (Sauder®) provee cobertura de garantía limitada al comprador original de este producto por un período de cinco años, a partir de la fecha de compra, contra defectos en los materiales o de mano de obra en los componentes de muebles Sauder. Como es utilizado en esta Garantía, "defecto" significa imperfecciones en los componentes que de manera fundamental afecta la utilidad del producto. Esta Garantía le permite a usted ciertos derechos legales, y usted también podría poseer otros derechos adicionales, los cuales varían de estado a estado.

2. No hay cobertura de garantía para defectos o estados que resulten del incumplimiento en seguir las instrucciones, la información o las advertencias sobre el ensamblaje del producto; del uso incorrecto o maltrato, del daño intencional, incendio, inundación, cambio o modificación del producto; o de la utilización del producto de manera contradictoria con el uso para el cual fue fabricado, ni por ningún estado que resulte del mantenimiento, limpieza o cuidado incorrecto o inadecuado. Tampoco no hay cobertura de garantía para los productos rentados o para cualesquiera productos comprados "de uso" o "como está", en una venta de bienes embargados o en una venta por salirse del negocio, o comprados a un liquidador.

3. Como un recurso exclusivo bajo esta Garantía, Sauder (sólo a su opción) reparará o reemplazará cualquier componente defectuoso de mueble. Sauder puede requerir una confirmación independiente de un defecto reclamado y una prueba de compra. Las piezas de repuesto serán garantizadas solamente por el período de tiempo que queda de la Garantía original. SAUDER NO TENDRÁ RESPONSABILIDAD por NINGÚN DAÑO INCIDENTAL O CONSECUENTE DE NINGÚN TIPO y todos dichos daños SE EXCLUYEN DE ESTA GARANTÍA, tales como pérdida de uso, desensamblaje, transportación, trabajo o daño a la propiedad en o cerca del producto. Algunos estados no permiten la exclusión o limitación de daños incidentales o consecuentes, en tales instancias la limitación o exclusión antes mencionada podría no ser aplicable a usted.

4. This Warranty applies only to warranted defects that first arise and are reported to Sauder within the warranty coverage period. The Warranty cannot be transferred to subsequent owners or users of the product, and it shall be immediately void in the event the product is resold, transferred, leased or rented to any third party or person other than the original purchaser.

5. THERE ARE NO OTHER WARRANTIES APPLICABLE TO THIS PRODUCT. Under the laws of certain states, there may be no implied warranties from Sauder and all implied warranties, INCLUDING ANY IMPLIED WARRANTY OF MERCHANTABILITY OR FITNESS FOR A PARTICULAR PURPOSE are disclaimed where allowed by law. TO THE EXTENT ANY IMPLIED WARRANTIES ARE APPLICABLE, ANY IMPLIED WARRANTIES, INCLUDING ANY IMPLIED WARRANTY OF MERCHANTABILITY OR FITNESS FOR A PARTICULAR PURPOSE, ARE LIMITED IN DURATION TO THE DURATION OF THIS EXPRESS WARRANTY or the minimum period allowed by law, whichever is shorter. Some states do not allow limitations on how long an implied Warranty lasts, so the above limitation may not apply to you.

6. For Warranty inquiries or claims, please visit our website www.sauder.com. You can also contact Sauder at 1-800-523-3987. Sauder may require Warranty claims to be submitted in writing to Sauder Woodworking Co., 502 Middle Street, Archbold, OH 43502 USA. Please include your sales receipt or other proof of purchase and a specific description of the product defect.

4. La présente garantie ne s'applique qu'aux défauts garantis qui se produisent pour la première fois et qui sont signalés à Sauder dans les limites de ouverture de la garantie. La garantie ne peut pas être transférée à des propriétaires ou utilisateurs subséquents du produit, et sera immédiatement invalidée dans le cas où le produit est revendu, transféré, loué sous bail ou loué à une tierce partie ou personne autre que l'acheteur original.

5. IL N'EXISTE AUCUNE AUTRE GARANTIE EN VIGUEUR POUR LE PRÉSENT PRODUIT. En vertu des lois de certains États ou provinces, il ne peut y avoir de garanties implicites de la part de Sauder et toutes les garanties implicites, Y COMPRIS TOUTE GARANTIE IMPLICITE DE COMMERCIALITÉ OU D'ADAPTATION À UN USAGE PARTICULIER sont déclinées partout où la loi l'autorise. DANS LA MESURE OÙ TOUTE GARANTIE IMPLICITE EST APPLICABLE, TOUTE GARANTIE IMPLICITE, Y COMPRIS TOUTE GARANTIE DE COMMERCIALITÉ OU D'ADAPTATION À UN USAGE PARTICULIER, EST LIMITÉE À LA DURÉE DE LA PRÉSENTE GARANTIE EXPRESSE ou à la période minimum autorisée par la loi, la période la plus courte étant retenue. Certains États ne permettant pas que des limites soient imposées quant à la durée d'une garantie implicite, la limite ci-dessus peut donc ne pas être applicable.

6. Pour toute question concernant la garantie ou toute demande de réclamation, consultez le site Web www.sauder.com. Il est également possible de contacter Sauder en composant le 1-800-523-3987. Sauder peut exiger de soumettre les demandes de réclamation sous garantie par écrit à Sauder Woodworking Co., 502 Middle Street, Archbold, OH 43502 USA. Veuillez joindre votre ticket de caisse ou toute autre preuve d'achat ainsi qu'une description spécifique du défaut de produit.

4. Esta Garantía sólo es aplicable a defectos garantizados que primeramente surjan y se informen a Sauder dentro del período de cobertura de garantía. La Garantía no puede ser transferida a propietarios o usuarios subsiguientes del producto, y ésta será inmediatamente invalidada en el caso que el producto sea revendido, transferido, arrendado o rentado a cualquier tercero u otra persona que no sea el comprador original.

5. NO HAY OTRA GARANTÍA APLICABLE A ESTE PRODUCTO. Bajo las leyes de ciertos estados, pueden no haber garantías implícitas de Sauder y se hace renuncia de responsabilidad de todas las garantías implícitas donde lo permita la ley, INCLUYENDO CUALQUIER GARANTÍA IMPLICITA DE MERCANTABILIDAD O DE APTITUD PARA UN PROPÓSITO EN PARTICULAR. EN LA MEDIDA CUALQUIER GARANTÍA IMPLICITA ES APLICABLE, CUALESQUIERA GARANTÍAS IMPLICITAS, INCLUYENDO AQUELLA DE MERCANTABILIDAD O DE APTITUD PARA UN PROPÓSITO EN PARTICULAR, SE LIMITAN EN DURACIÓN HASTA LA DURACIÓN DE ESTA GARANTÍA IMPLICITA o hasta el período mínimo permitido por la ley, la que sea más corta. Algunos estados no permiten limitaciones en cuanto a la duración de una garantía implícita, por eso la limitación arriba citada pueda no ser aplicable a usted.

6. Para solicitud de información o reclamación de Garantía, por favor, visite nuestro sitio Web www.sauder.com. Usted también puede contactar a Sauder llamando al 1-800-523-3987. Sauder puede solicitar que las reclamaciones sean presentadas por escrito a Sauder Woodworking Co., 502 Middle Street, Archbold, OH 43502 EE.UU. Por favor incluya su recibo de venta u otra prueba de compra y una descripción detallada del defecto del producto.

Dear Valued Customer:

Thanks so much for choosing Sauder® furniture. I hope the purchase and assembly process was a positive experience and you feel good about the furniture you just built. If you need assistance or want to learn more, please contact our award-winning, Ohio-based customer service team at 800-523-3987 or Sauder.com.

My grandfather, Erie Sauder, founded the company in 1934 and later invented and patented the first commercially successful ready-to-assemble tables. We strive to hold true to his core values of innovation, integrity, servanthood and stewardship.

Sauder products are made with environmentally responsible materials and world-class manufacturing processes. Our 2,000+ dedicated employees in Archbold, Ohio, along with our global manufacturing partners, are committed to providing you furniture with great value, style and quality.

From our family to you. Enjoy!



Kevin J. Sauder
President/CEO

So, how did it go?

Set a world record for speed?
Feeling good about yourself?
Nice. Get social with it on any
of these quality share sites.



And don't forget to rate and
review your piece at Sauder.com
in the product detail page.



Register your new product online

For immediate service, our website is available 24 hours per day, seven days per week, to order replacement parts, access assembly tips, register your product and view Sauder products. www.sauder.com

Customer Services in United States and Canada
Monday through Friday – 9 a.m. to 5:30 p.m. ET
(except holidays) 1-800-523-3987

General Conformity Certificate

1. This certificate applies to the Sauder Woodworking Product identified by this Instruction Book.
2. This certificate applies to compliance of this product with the CPSC Ban on Lead-Containing Paint (16 CFR 1303).
3. This product is manufactured by:
Sauder Woodworking Company
502 Middle St.
Archbold, OH 43502
419-446-2711
4. Date of Manufacture: _____



Made in USA
with U.S. and imported materials