




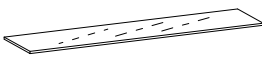



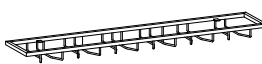

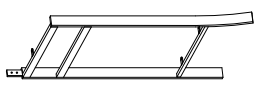
STYLE NO: BE198200TX
 BROWN FINISH
 BAKER'S RACK

SOUTHERN ENTERPRISES INC.

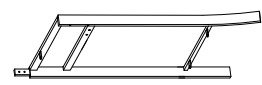
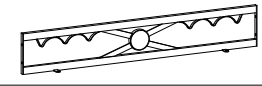



RELAX... If you can follow a few easy, step-by-step directions in order. YOU CAN ASSEMBLE THIS ITEM.

PLEASE FIND HARDWARE IN RED POLY BAG BEFORE DISCARDING PACKING MATERIAL.








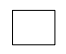
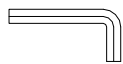
PARTS LIST

NO.	DESCRIPTION		Q'ty
A	Glass		1
B	Glass		1
C	Wood		1
D	Back slice		1
E	Right side piece		1
F	Cup holder		1
G	Frame		1
H	Left leg		1

PARTS LIST

NO.	DESCRIPTION		Q'ty
I	Right leg		1
J	Rail		1
K	Wine holder		1
L	Left side piece		1
M	Wood		1

HARDWARE LIST

NO.	DESCRIPTION			Q'ty
N	Screw	$\phi \frac{1}{4} \times \frac{1}{2}$		16
O	Screw	$\phi \frac{1}{4} \times \frac{3}{8}$		4
P	Screw	$\phi \frac{1}{4} \times \frac{3}{4}$		2
Q	Screw	$\phi \frac{1}{4} \times 1 \frac{1}{8}$		2
R	Flat washer	$\phi \frac{1}{4}$		2
S	Wood screw	$\phi \frac{3}{16} \times \frac{5}{8}$		4
T	Wood screw	$\phi \frac{3}{16} \times \frac{3}{8}$		4
U	Sponge	13x16mm		8
V	Allen wrench	M4		1

ASSEMBLY INSTRUCTIONS

Do not tighten screws & bolts until the entire unit is completely assembled.

FIGURE 1

Connect wine holder (K) and Rail (J) on Left leg (H) and Right leg (I) with Screw (N), fasten all the screws by using Allen wrench (V).

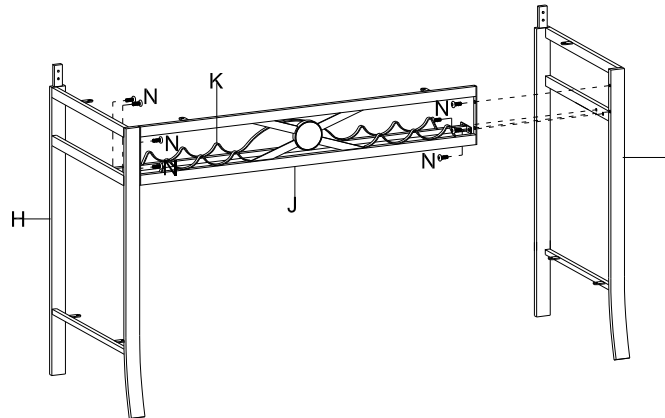


FIGURE 2

Connect Left side piece (L) and Right side piece (E) on Back Slice (D) with screws (P), fasten all the screws by using Allen wrench (V).

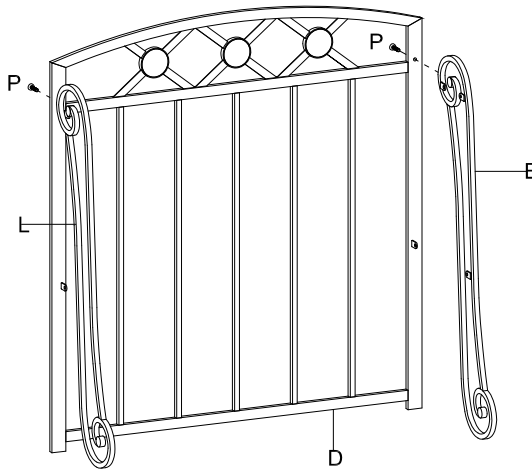


FIGURE 3

Connect Cup holder (F) and Frame (G) on Left Side piece (L) and Right side piece (E), fasten all the screws(N) by using Allen wrench (V).

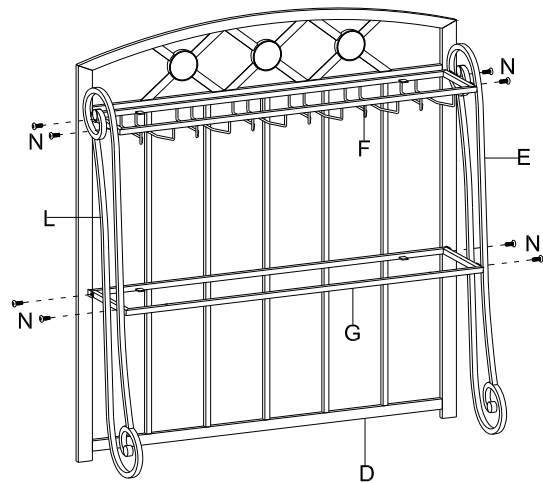


FIGURE 4

Connect Back slice (D) on Left leg (H) and Right leg (I) with screw (O).
fasten all the screws by using Allen wrench (V).

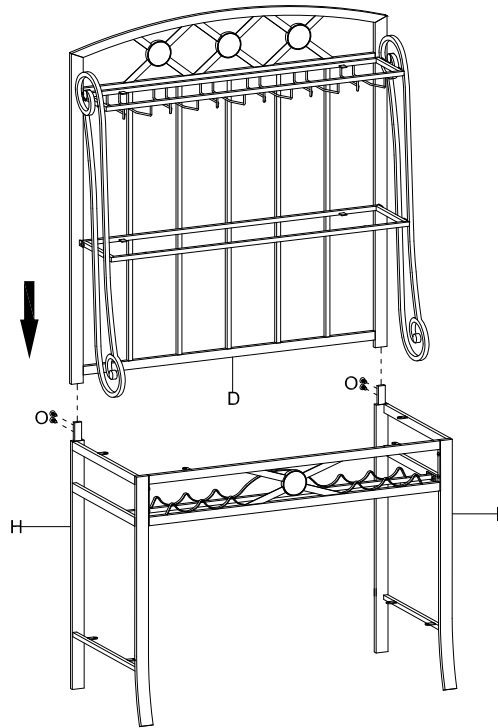
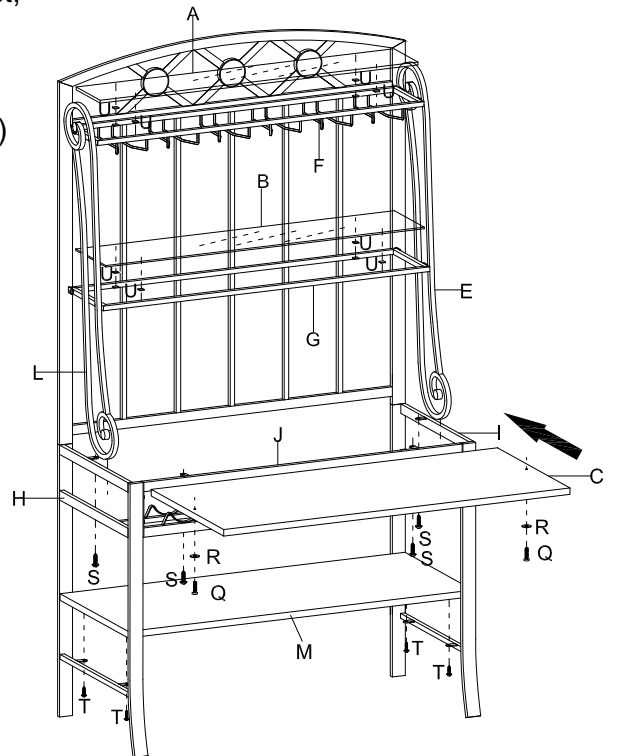
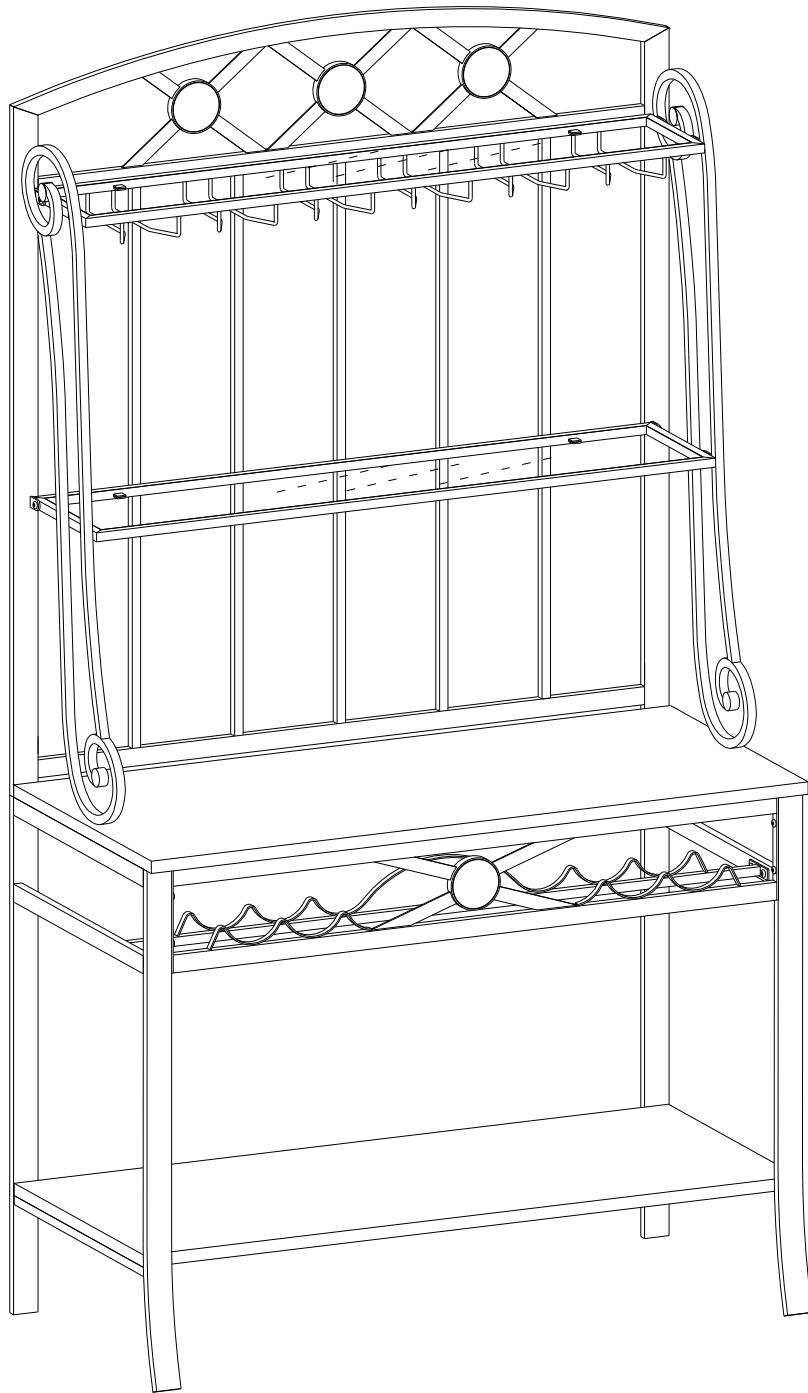


FIGURE 5

Put Wood (C) on Left leg (H) Right leg (I) and Rail (J) first,
Through Flat washer (R) with Screw (Q) lock wood on
Left side piece (L) and Right side piece (E).
Lock Wood (C) on left leg(H), Right leg (I) and Rail (J)
with Screw (S),lock Wood (M) on Left leg (H) Right leg (I)
with Screw (T) .Stick sponge (U) on cup holder (F) and
Frame (G) and put on Glass (A)(B) individually last.





“WE WILL SHIP PARTS IF AVAILABLE” “ THIS IS NOT A WARRANTY”

Please count, identify and compare parts and hardware list to be sure all parts are present. It may help to divide parts and label them to correspond with part list. Extra hardware may be included, if any items are missing, please contact our parts/service department at (800) 633-5096 or in Dallas (972) 869-0111/9am-4pm Mon-Fri Central time. Missing or damaged hardware and/ or parts will be replaced free of charge. WE DO NOT SELL PARTS. WE DO NOT RECOMMEND MODIFYING PRODUCT (S) AND WE ARE NOT RESPONSIBLE FOR ANY DAMAGES DUE TO PRODUCT MODIFICATION (S). If this product has not been purchased from our retail affiliates (within 9 months), we are under on obligation to provide parts or replacement merchandise. Parts will not be available for items arriving fully assembled.

PARTS REPLACEMENT FORM

STYLE NO: BE198200TX

Customer Name

PARTS
LETTER

PART
DESCRIPTION

QUANTITY
NEEDED

Street, City, State, Zip

Phone#



Please indicate Where you purchased this item.
Store/ Website/ catalog

SOUTHERN ENTERPRISES INC.
P.O. Box 59996 Dallas, Texas 75229

Please indicate color / size / style number

_____ / _____ / _____