

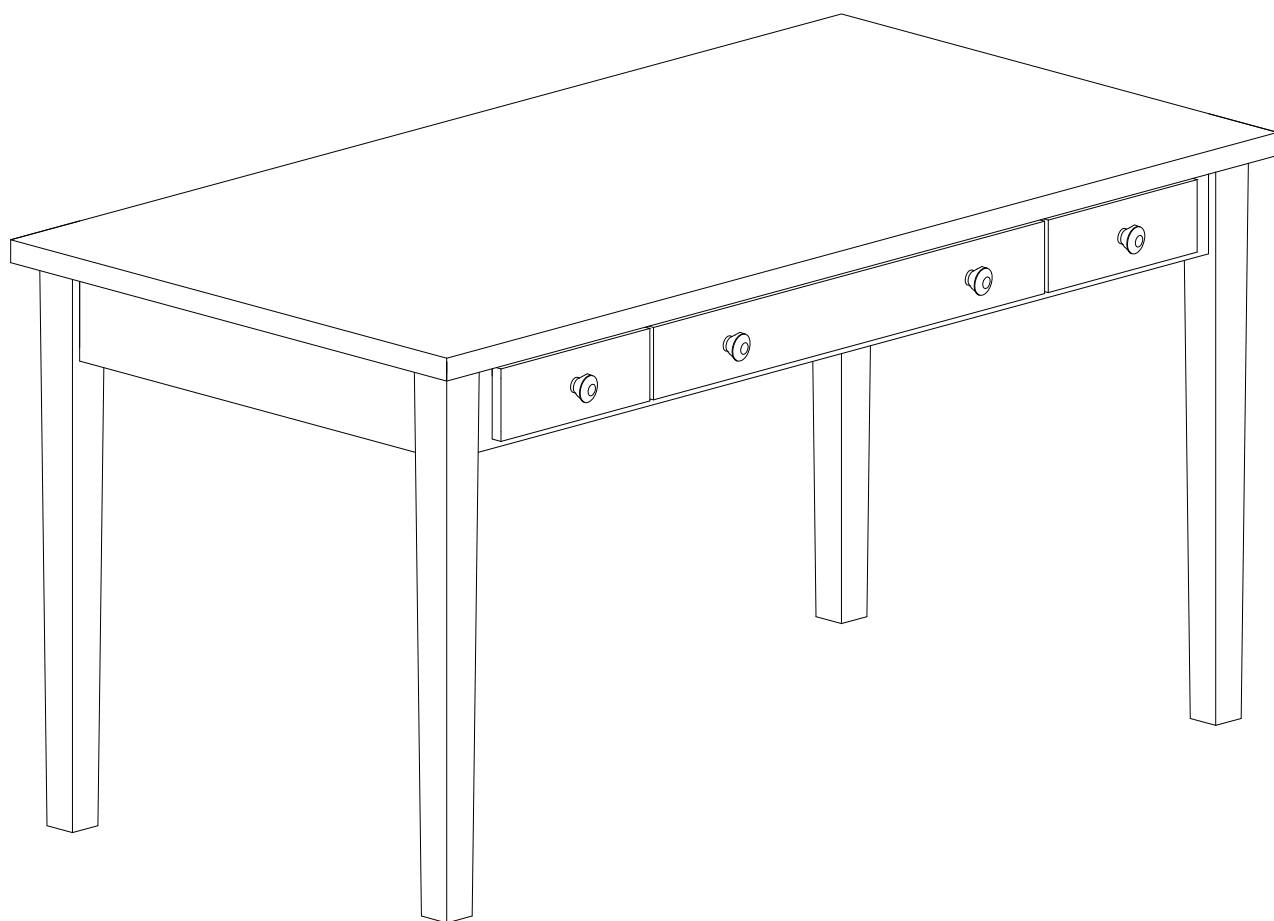
HO8804 - Simple Classic Desk

Assembly Instructions



For assistance with assembly contact:
Southern Enterprises, Inc.
Customer Service 1-800-633-5096

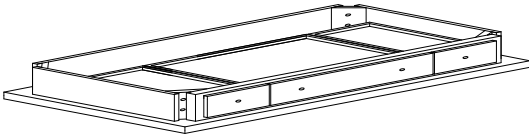
www.seidal.com



Simple Classic Desk Parts List

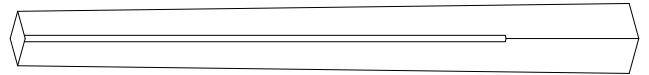
Please review all parts and hardware before disposing of any packaging.
 Call Customer Service if missing hardware. Do not return to store/retailer.
 Screws shown in actual size. Using a screw that is too long will cause damage.
 Before beginning assembly, separate each type of screw. Carefully study
 the screw diagrams below (SHOWN ACTUAL SIZE). You may receive extra
 hardware with your unit.

A Quantity
of 1



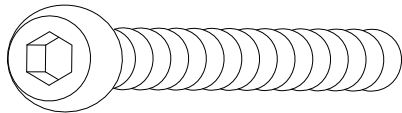
Desk Top

B Quantity
of 4



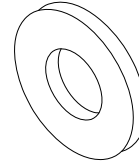
Desk Leg

1 Quantity
of 8



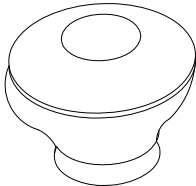
Big Bolt(5/16" * 2")

2 Quantity
of 8



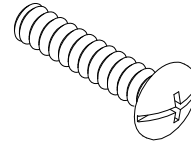
Washer

3 Quantity
of 4



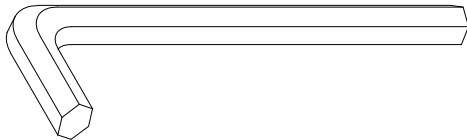
Knob

4 Quantity
of 4



Small Bolt(5/32" * 1")

5 Quantity
of 1

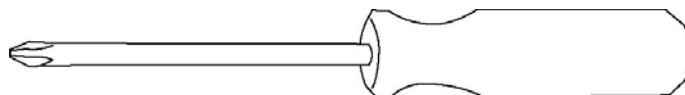


Allen Wrench

Care and Cleaning Instructions:
 Before using, wipe with a clean, dry cloth.
 Periodically apply furniture wax to renew
 the finish . Avoid rubbing or scratching the
 surface with rough or abrasive objects.

For replacement parts or questions, please
 Call Customer Service at 1-800-633-5096
 Do not return product to store, please call
 Manufacturer for assistance, questions or
 Parts.

Assembly Tool Required
No.2 Phillips Screwdriver (Not
Included)



Simple Classic Desk Assembly Instructions

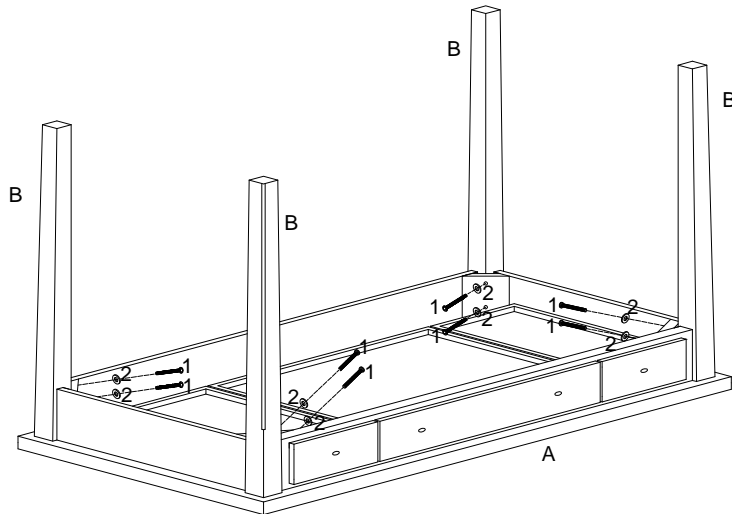


Figure 1

Assembly Instructions:

Wood may scratch easily, Be careful when assembling. Do not scratch.

Step 1 Unpack and lay parts on clean, padded surface like carpet or blanket. Check that you have all parts indicated on the front page.

Step 2 Set the desktop upside down on smooth padded surface.

Step 3 Attach the 4pcs Leg (B) to the Desk Top (A) with 8pcs Big Bolt (1) and 8pcs Washer (2) by using the Allen Wrench (5).

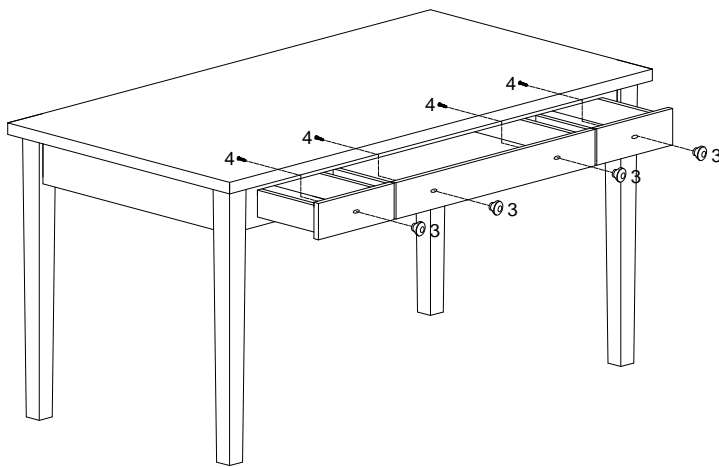


Figure 2

Fix the 4pcs Knobs (3) with 4 pcs Small Bolts (4) as figure shown.



Customer Service 1-800-633-5096

Southern Enterprises, Inc.
2915 Merrell Road
Dallas, Texas 75229

HO8804 - Parts Replacement Form

Customer Information

Name _____

Address _____

City/State/Zip Code _____

Phone Number _____

Please indicate where you purchased this item: Store/Website/Catalog

Please indicate color/size/style number:

Style No	Parts Letter	Parts Description	Quantity Needed
----------	--------------	-------------------	-----------------

Missing or damaged hardware and/or parts will be replaced free of charge. We do not sell parts. Southern Enterprises Inc. will provide replacement parts for only those items purchased within the last 9 months. If this product has not been purchased from our retail affiliates (within 9 months), we are under no obligation to provide parts or replacement merchandise. Parts will not be available for items arriving fully assembled.