

lifetime limited warranty

Your Drive brand product is warranted to be free of defects in materials and workmanship for the lifetime of the original consumer purchaser.

This device was built to exacting standards and carefully inspected prior to shipment. This Lifetime Limited Warranty is an expression of our confidence in the materials and workmanship of our products and our assurance to the consumer of years of dependable service.

In the event of a defect covered by this warranty, we will, at our option, repair or replace the device.

This warranty does not cover device failure due to owner misuse or negligence, or normal wear and tear. The warranty does not extend to non-durable components, such as rubber accessories, casters, and grips, which are subject to normal wear and need periodic replacement.

If you have a question about your Drive device or this warranty, please contact an authorized Drive dealer.



© 2006 Medical Depot, Inc. All rights reserved.
Drive is a trademark of Medical Depot, Inc.
Port Washington N.Y. 11050 USA Made in China

bariatric side walker



EU Authorized Representative
Drive International, LLC
Globe Lane - Stockport
DUKINFIELD SK16 4RE, GB

www.drivemedical.com

drive
MEDICAL DESIGN & MANUFACTURING

opening/folding the walker

1. Grasp the top hand grip of the walker. With other hand, push the pivot lock handle down towards the cross brace.

NOTE: The pivot lock MUST be directly on top of the cross brace.

2. Reverse STEP 1 to close the walker.

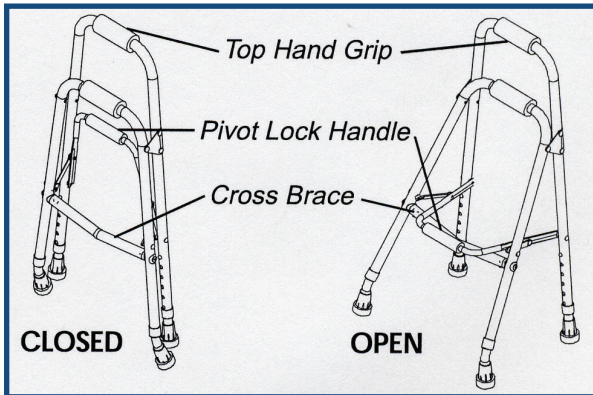


figure 1

WEIGHT CAPACITY 500 LBS

adjusting the leg extensions

1. Adjust leg extensions by depressing the snap button through the appropriate extension and allowing it to snap through the appropriate hole on the walker leg frame.

NOTE: Make certain the snap buttons are fully engaged into the adjustment hole of each leg frame and are at the same height before using.

2. Repeat this procedure for each of the leg extensions.

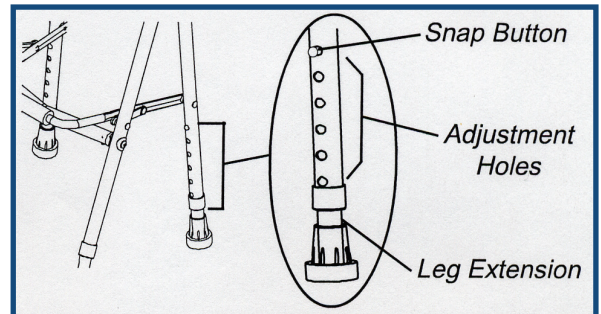


figure 2