



# RAISED PANEL TRUNDLE

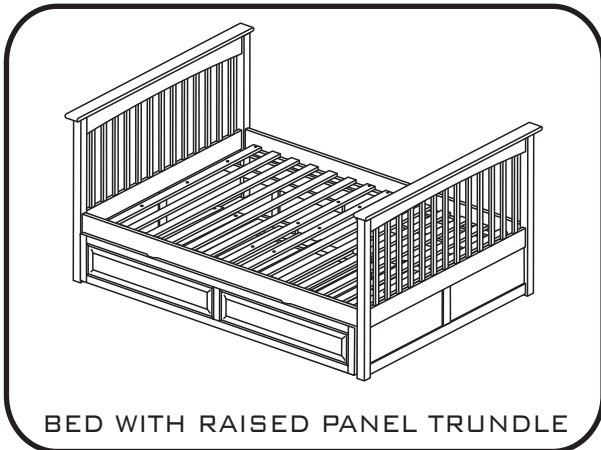
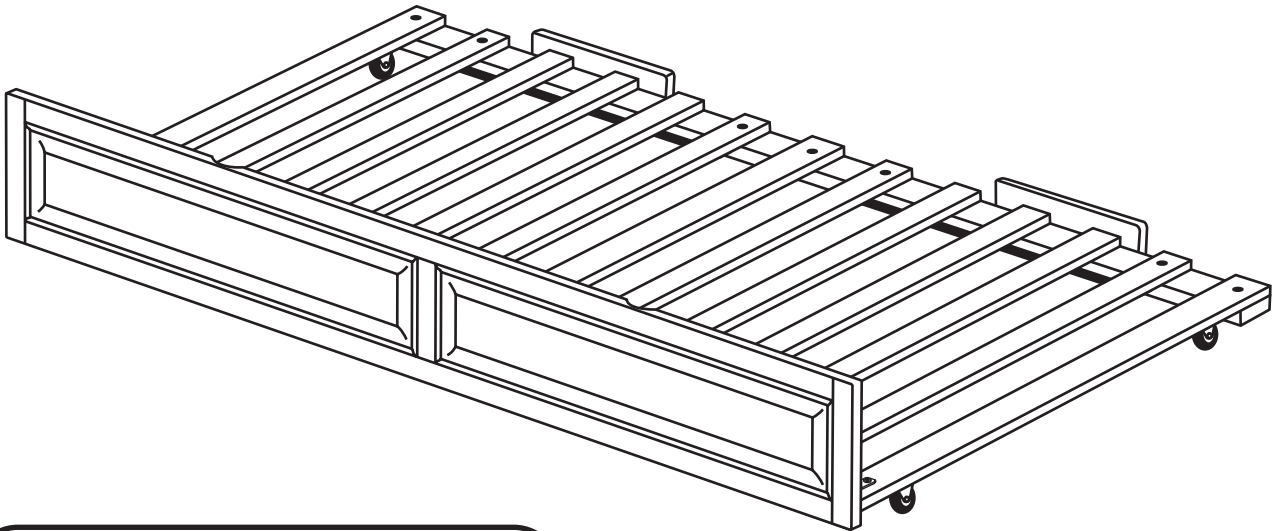
ATLANTIC  
FURNITURE

## ASSEMBLY INSTRUCTIONS

Thank you for choosing our new Raised Panel Trundle.

This practical design offers the utmost in versatility.

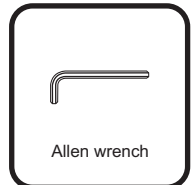
Before assembling your Raised Panel Trundle, please read through these instructions carefully, familiarising yourself with the different parts.



BED WITH RAISED PANEL TRUNDLE

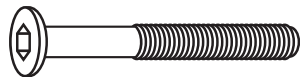


Assembling by Adult

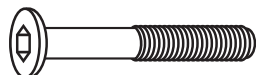


Allen wrench

## HARDWARE



- A** JCB M6 X 2" ( 50mm ) - 4 pcs  
Fix Back Board to Back rail



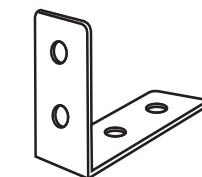
- B** JCB M6 X 1 1/2" ( 40mm ) - 17 pcs  
Fix Side / center cross rail to front / back rail  
Fix End Slat to front / back rail



- C** JCB M6 X 5/8" ( 15mm ) - 6 pcs  
Fix L Bracket to Front Panel



- D** Barrel Nut - 4 pcs  
For JCB M6 X 2" (50mm )



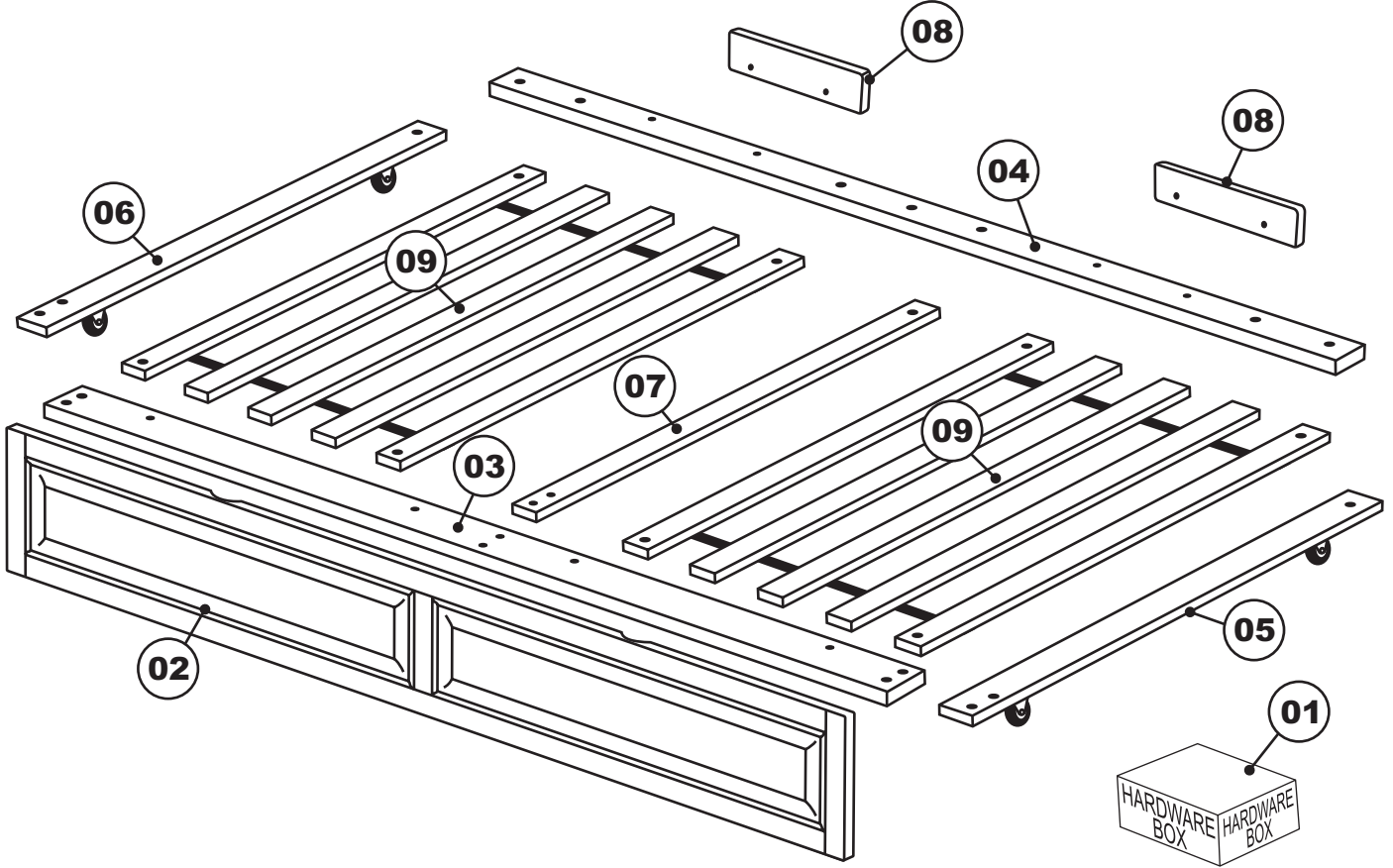
- E** L Bracket - 3 pcs



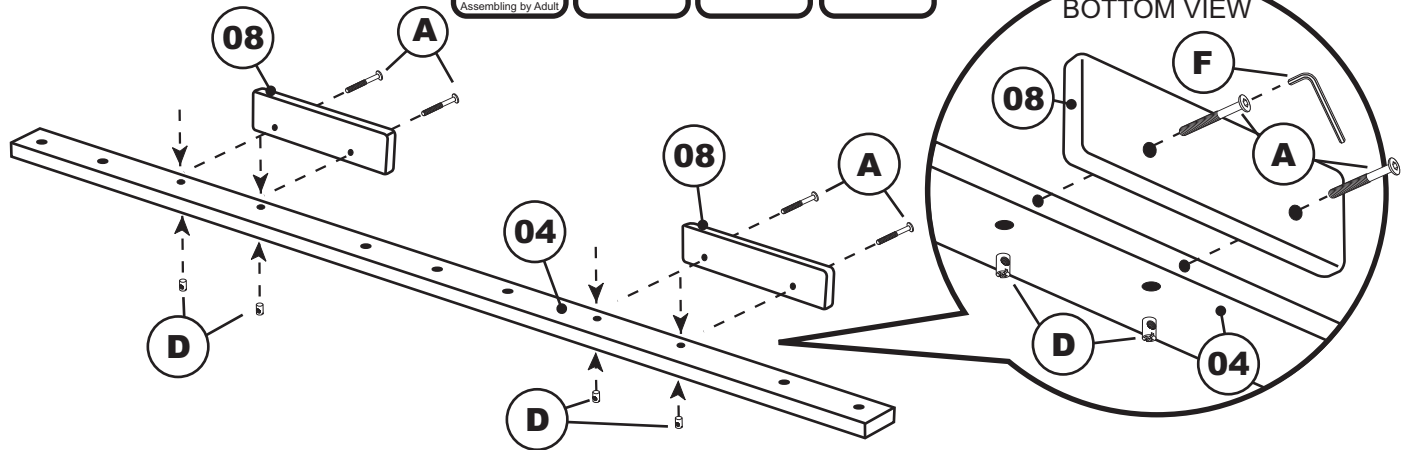
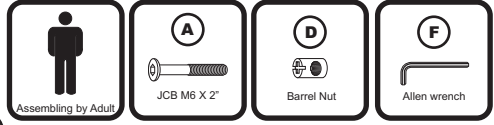
- F** 4mm Allen wrench - 1 pc

# PARTS LIST

01	HARDWARE	1 BOX	05	RIGHT SIDE CROSS RAIL	1 PC
02	FRONT PANEL	1 PC	06	LEFT SIDE CROSS RAIL	1 PC
03	FRONT RAIL	1 PC	07	CENTER CROSS RAIL	1 PC
04	BACK RAIL	1 PC	08	BACK BOARDS	2 PCS
			09	SLATS	2 SETS

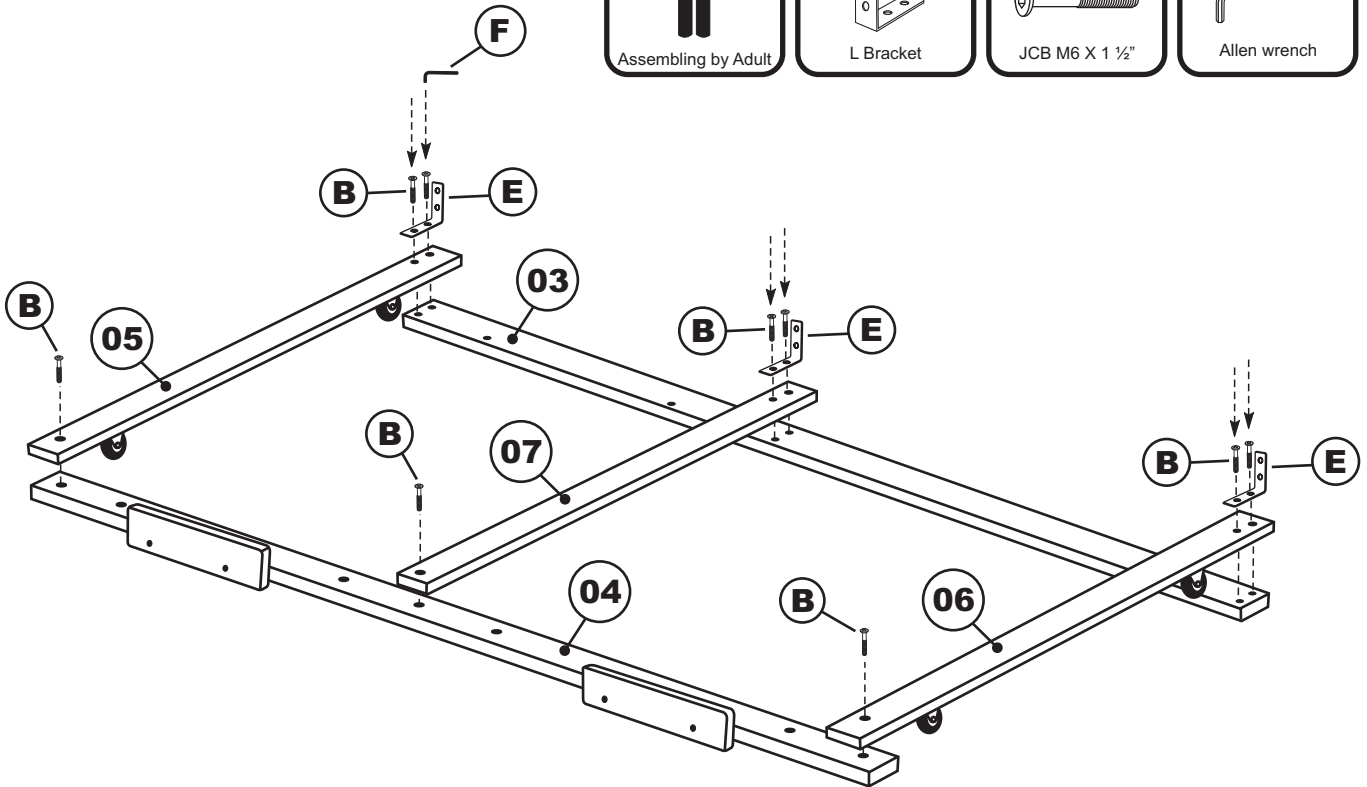
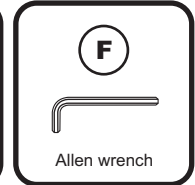
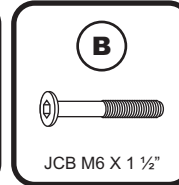
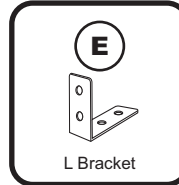


## STEP 1



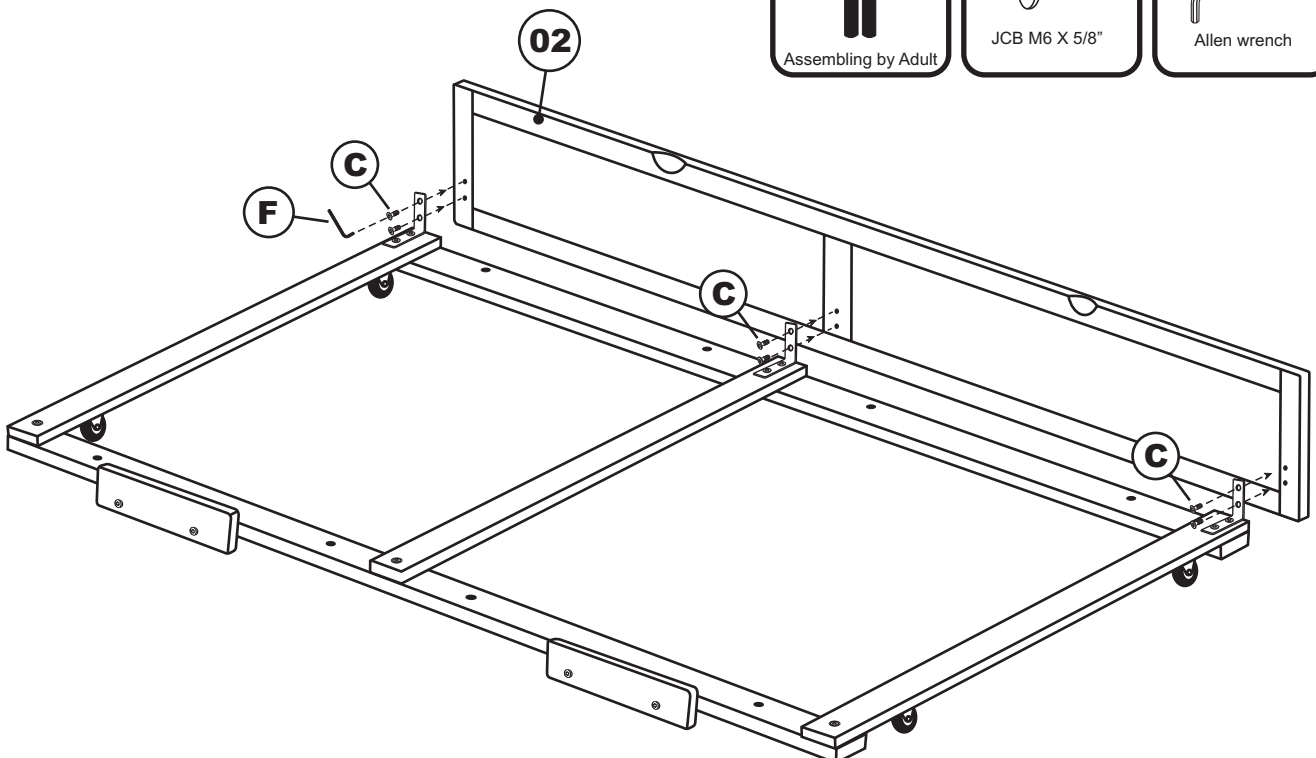
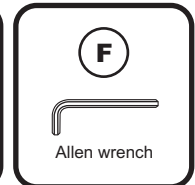
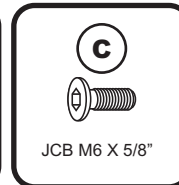
Attach the back boards (08) to the back rail (04), using JCB M6 X 2"(A), and barrel nut (D). Tighten with the Allen wrench (F).

## STEP 2



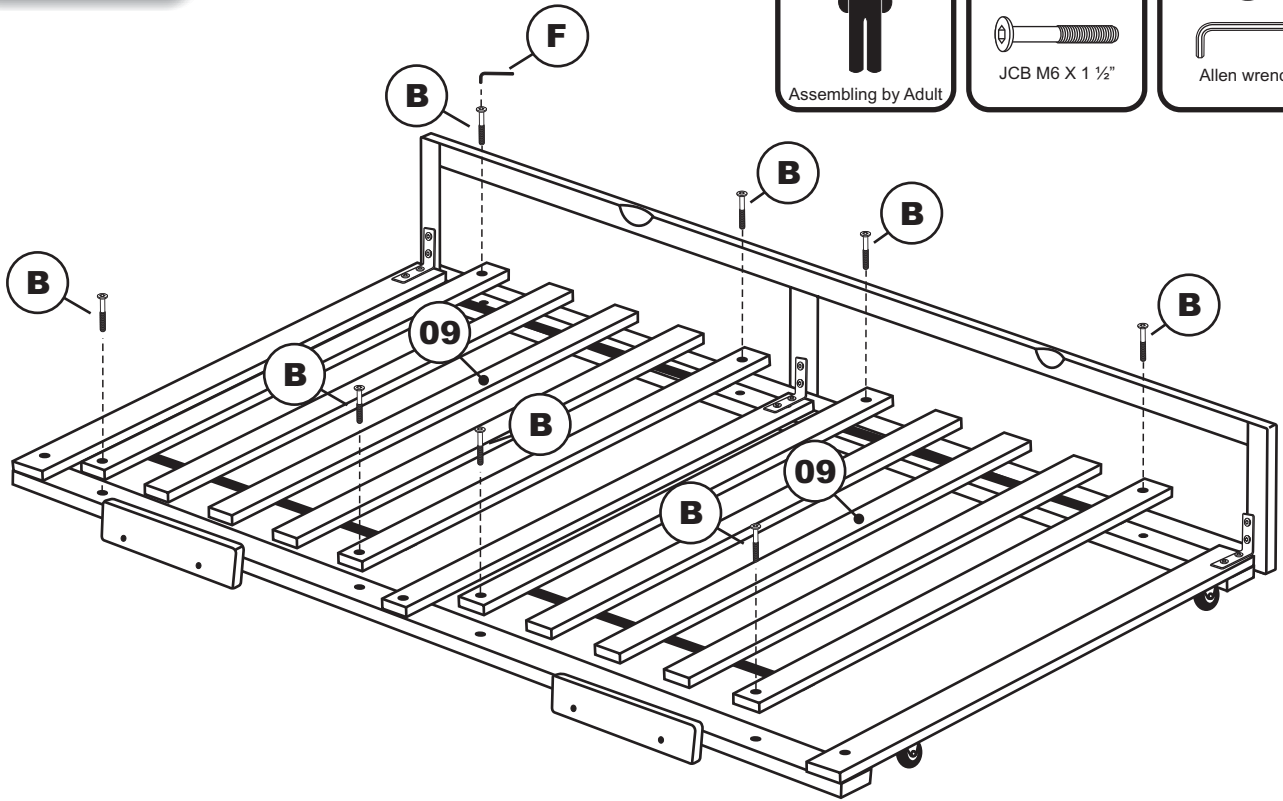
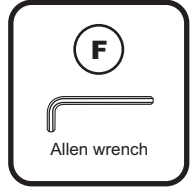
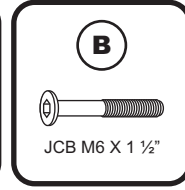
Attach the side/center cross rails (05,06+07) to the front rail (03) and back rail (04), using L bracket (E) and JCB M6 X 1 1/2" (B) as shown. Tighten with the Allen wrench (F).

## STEP 3

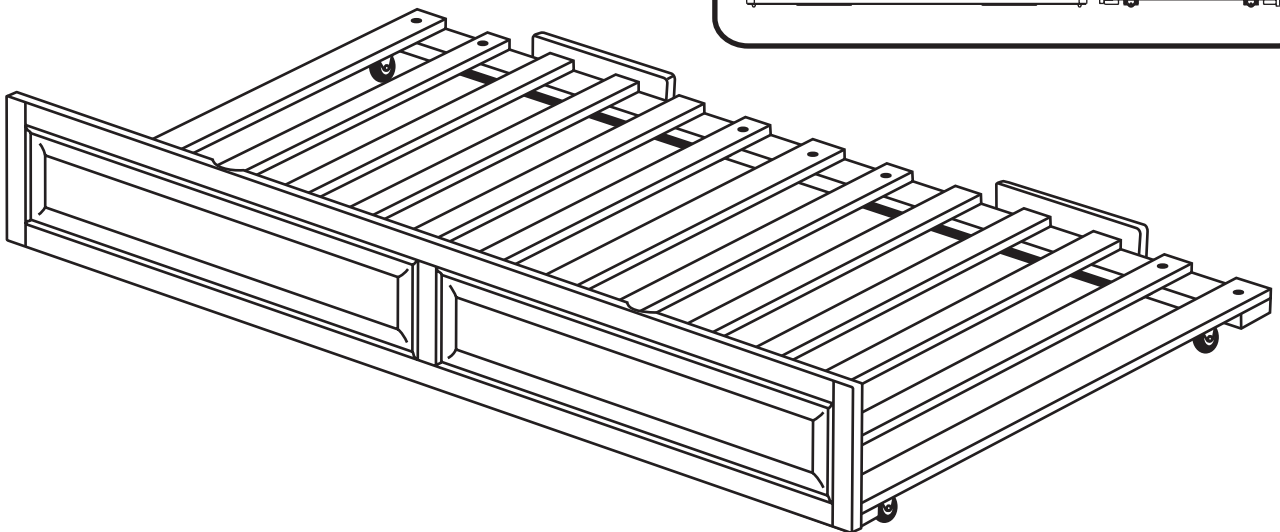
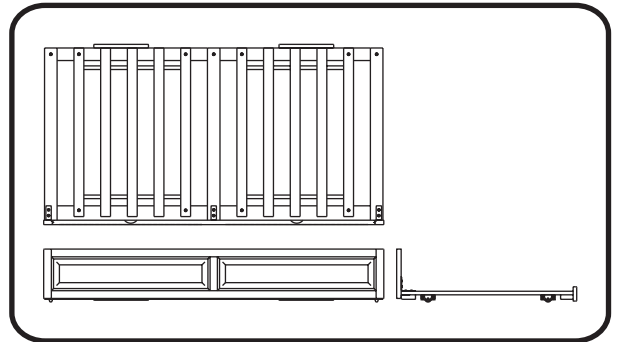


Attach the front panel (02) to assembled front rail as shown, using JCB M6 X 5/8" (C). Tighten with the Allen wrench (F).

## STEP 4



Lay the slats (09) onto the bed, and fix in place. Using JCB M6 X 1 1/2"(B), tighten with the Allen wrench (F)



### Congratulations !

Your Raised Panel Trundle is now ready for use.

We recommend that you recheck that all screws are tightened, and that all parts are secure before use and periodically to ensure safety.