

Size of Mattress and Foundation

The length and width of the upper bunk mattress and foundation are as follows :

<u>Length</u>	<u>Width</u>	<u>Thickness</u>
74" - 75"	37 ½" - 38 ½"	9 ½" max

You must use only this size mattress.

Ensure thickness of mattress and foundation combined does not exceed 9 ½" and that the mattress is at least 5" below upper edge of guardrails.

This Bunk Bed uses a slat kit for mattress foundation.

Replacement Parts

Replacement parts, including additional guardrails, may be obtained from any Atlantic Furniture dealer



SAFETY WARNINGS



- (1) Follow the information on the warnings appearing on the upper bunk end structure and on the carton. Do not remove warning label from bed.
- (2) Always use the recommended size mattress or mattress support, or both, to help prevent the likelihood of entrapment or falls.
- (3) Surface of mattress must be at least 5 in. (127mm) below the upper edge of guardrails.
- (4) Do not allow children under 6 years of age to use the upper bunk.
- (5) Periodically check and ensure that the guardrail, ladder, and other component are in their proper position, free from damage, and that all connectors are tight.
- (6) Do not allow horseplay on or under the bed, and prohibit jumping on the bed.
- (7) Always use ladder for entering or leaving upper bunk.
- (8) Do not use substitute parts. Contact the manufacturer for replacement parts.
- (9) Use of a night light may provide added safety precaution for a child using the upper bunk.
- (10) Always use guardrails on both long sides of the upper bunk. If the bunk bed will be placed next to a wall, the guardrail that runs the full length of the bed must be placed against the wall to prevent entrapment between the bed and the wall.
- (11) The use of water or sleep flotation mattress is prohibited.
- (12) Prohibit more than one person on upper bunk.
- (13) **STRANGULATION HAZARD** : Never attach or hang items to any part of the Bunk Bed that are not designed for use with the bed: for example, but not limited to, hooks, belts and jump ropes.
- (14) Keep these instructions for future reference.



WOODLAND BUNK BED

ATLANTIC
FURNITURE

ASSEMBLY INSTRUCTIONS

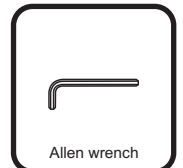
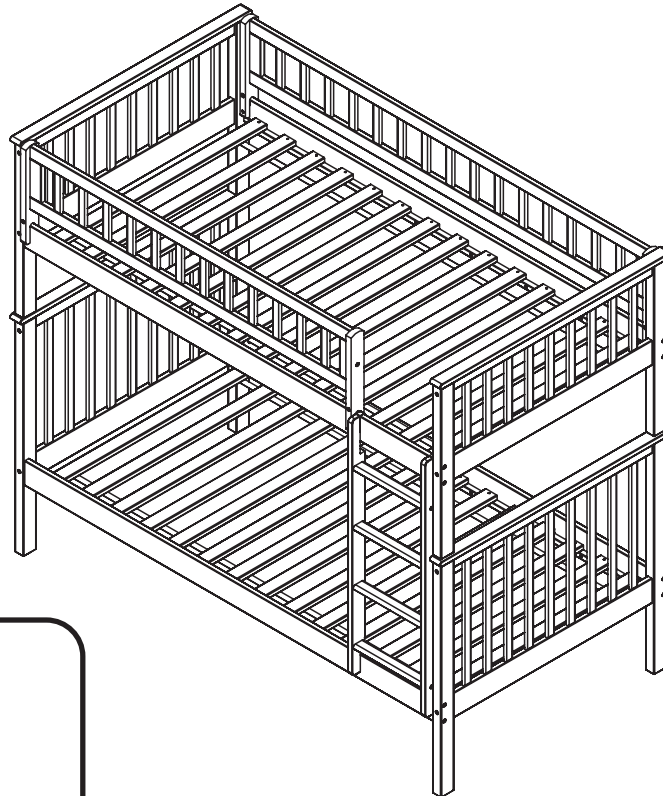
TWIN - TWIN

Thank you for choosing our new bunk bed.

This practical design offers the utmost in versatility.

Before assembling your Woodland bunk bed, please read through these instructions carefully, familiarize yourself with the different parts.

Please note that you will require a Phillips head screwdriver and an Allen wrench.

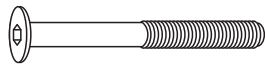


GUARDRAIL CAN BE SET UP AT EITHER END OF THE BUNK BED

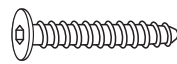
BUNK BED SHOWN WITH LADDER

HARDWARE

NOTE : WE INCLUDE SPARE HARDWARE IN CASE THE ALLEN WRENCH, ALLEN SCREW, JCB, BARREL NUT WOODEN DOWEL OR WOOD SCREW ARE DAMAGED DURING ASSEMBLY.



A JCB M6 X 3 1/8" - 16 pcs
Spare - 2 pcs



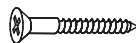
D Allen Screw M6 X 2" - 4 pcs
Spare - 1 pc



G Metal Pins - 4 pcs



B Barrel Nut - 16 pcs
Spare - 2 pcs



E Wood Screw 1" - 4 pcs
Spare - 1 pc

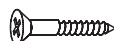
H



Wood Buttons - 4 pcs

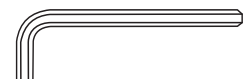


C Wooden Dowel - 8 pcs
Spare - 2 pcs



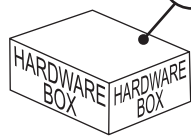
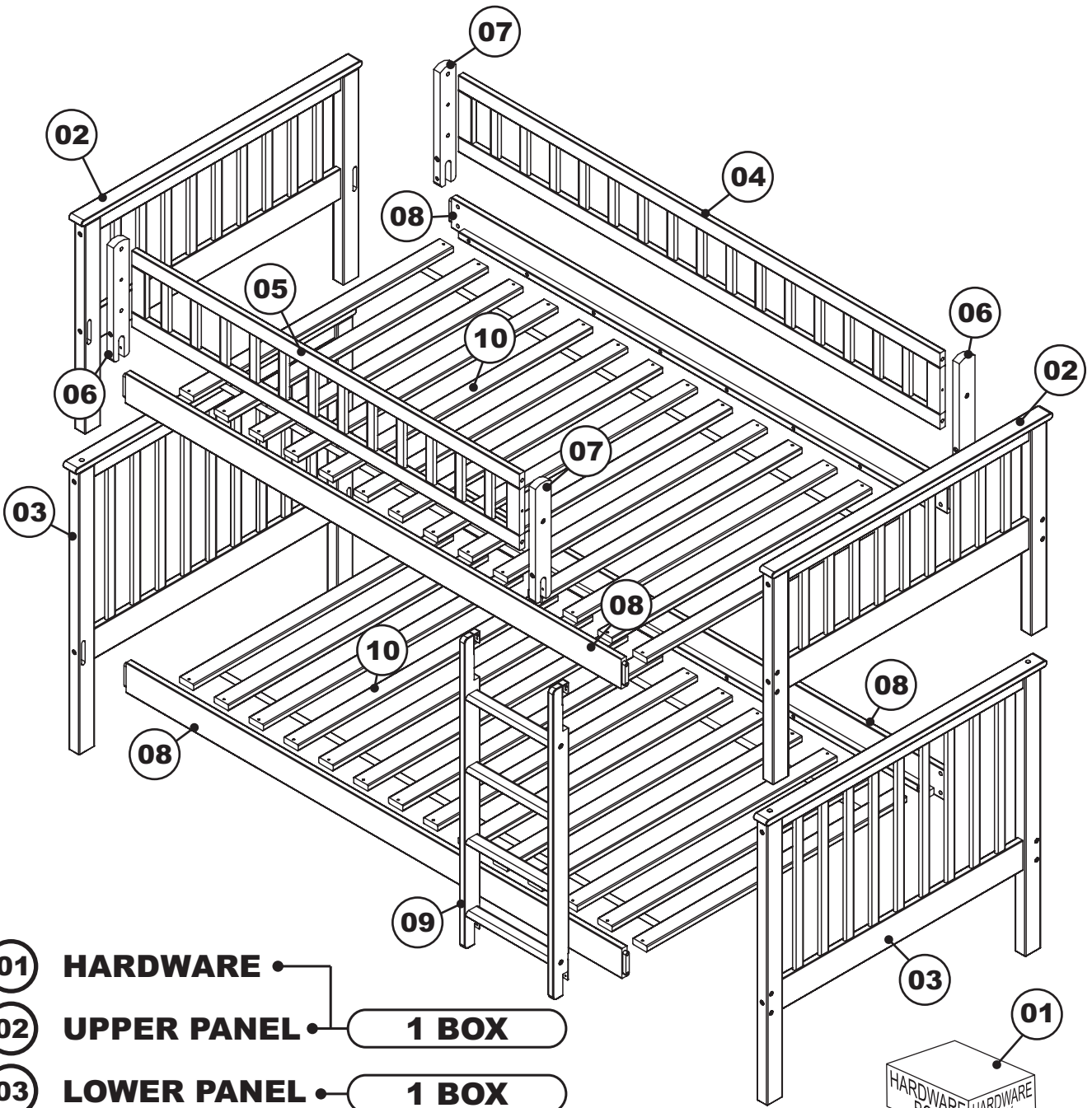
F Wood Screw 5/8" - 4 pcs
Spare - 1 pc

I



Allen wrench - 1 pc
Spare - 1 pc

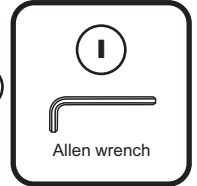
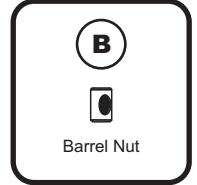
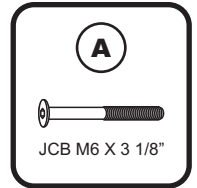
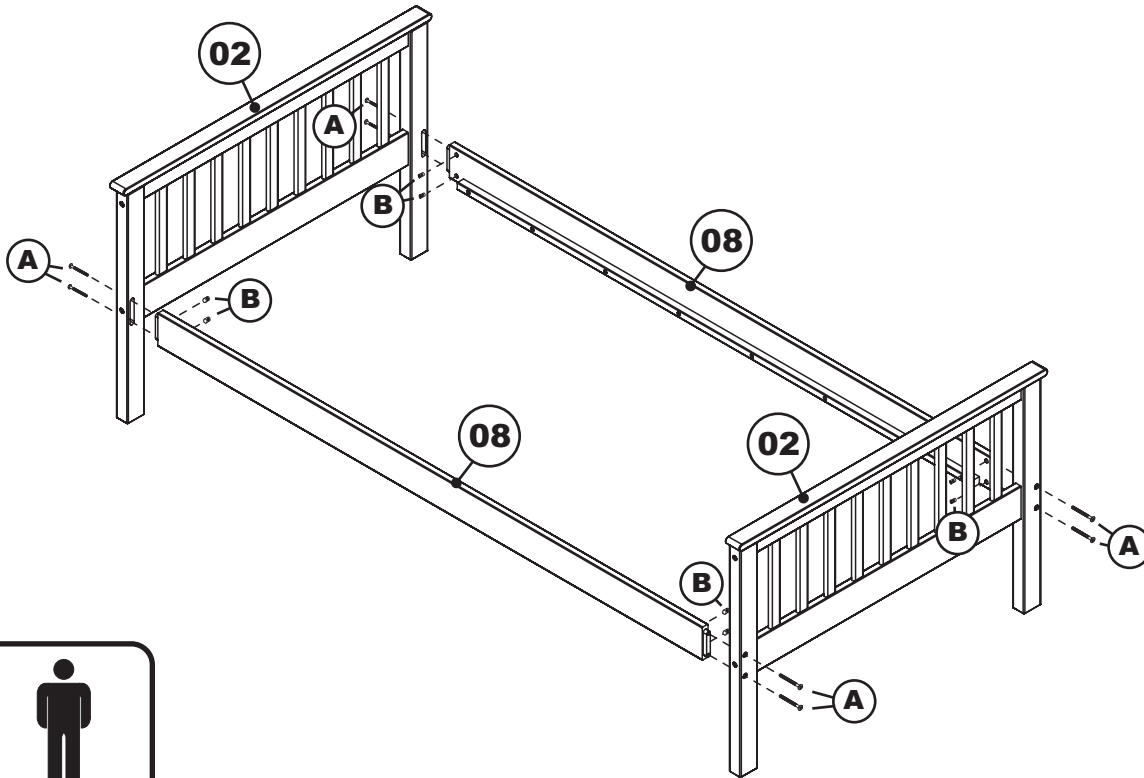
PARTS LIST



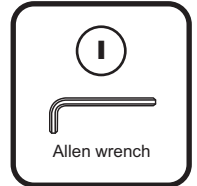
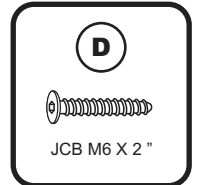
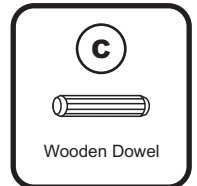
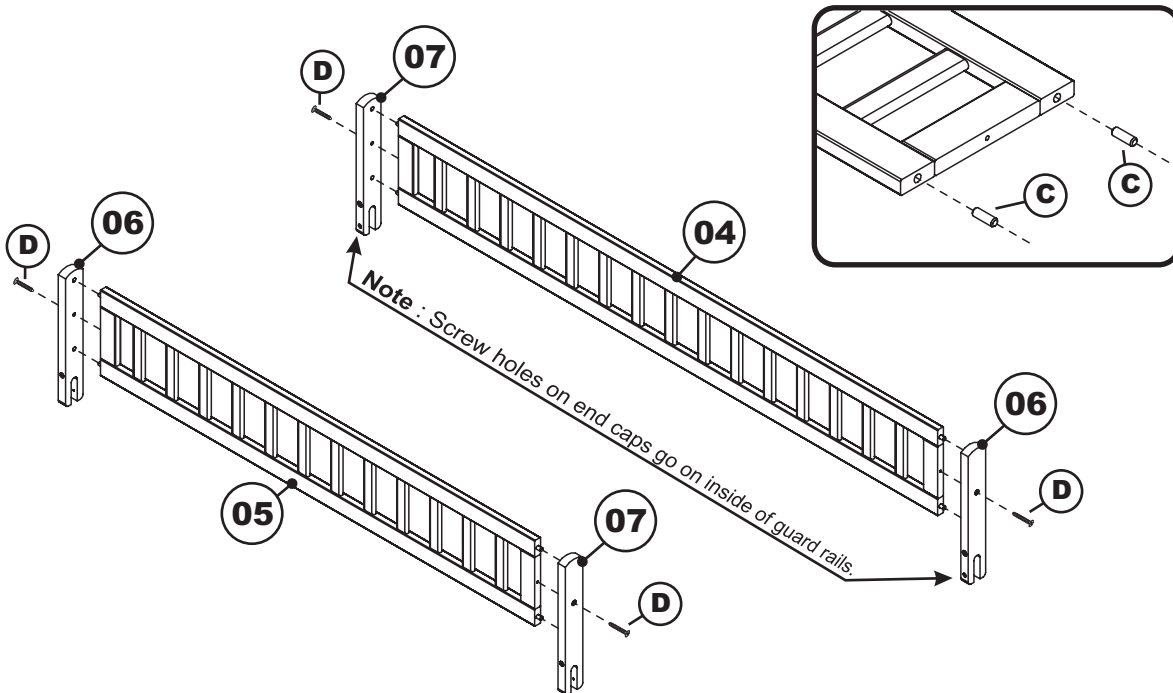
- 01 **HARDWARE** • 1 BOX
- 02 **UPPER PANEL** • 1 BOX
- 03 **LOWER PANEL** • 1 BOX
- 04 **FULL GUARDRAIL** • 1 BOX
- 05 **3/4 GUARDRAIL** • 1 BOX
- 06 **LEFT END CAPS** • 1 BOX
- 07 **RIGHT END CAPS** • 1 BOX
- 08 **LONG RAILS** • 1 BOX
- 09 **CLIP ON LADDER** • 1 BOX
- 10 **TWIN SLAT KIT** • 1 BOX • 2 SET

STEP 1

Attach the long rails (08) to the upper panels (02), using JCB M6 X 3 1/8" (A) and barrel nut (B). Tighten with the Allen wrench (I).

**STEP 2**

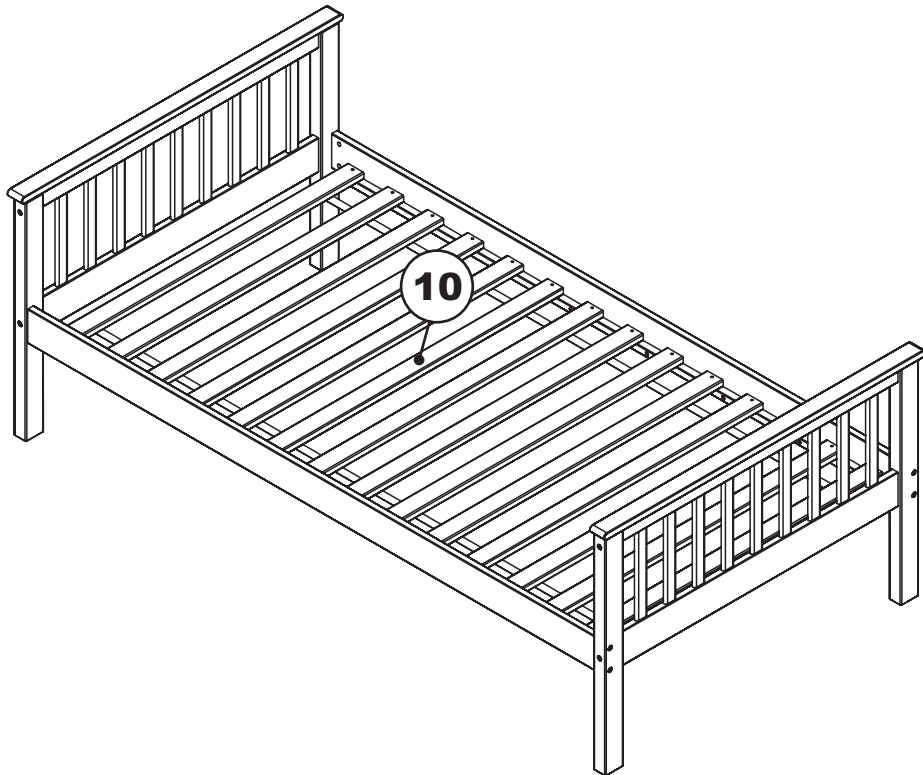
Insert wooden dowel (C) to the locator holes will receive (C) as shown below. Attach the full guard rail (04) to the left, right end caps (06)(07), using Allen screw (D), Tighten with the Allen wrench (I). Repeat for 3/4 guard rail (05).



If the bunk bed will be placed next to a wall, the guard rail that runs the full length of the bed should be placed against the wall to prevent entrapment between the bed and the wall.

STEP 3

Lay the twin slat kit (10) onto the bed. Fix in place using wood screws provided in the slat kit box. FOR SLAT KIT ASSEMBLY follow assembly instructions included with slat kit.



Adult Assembly

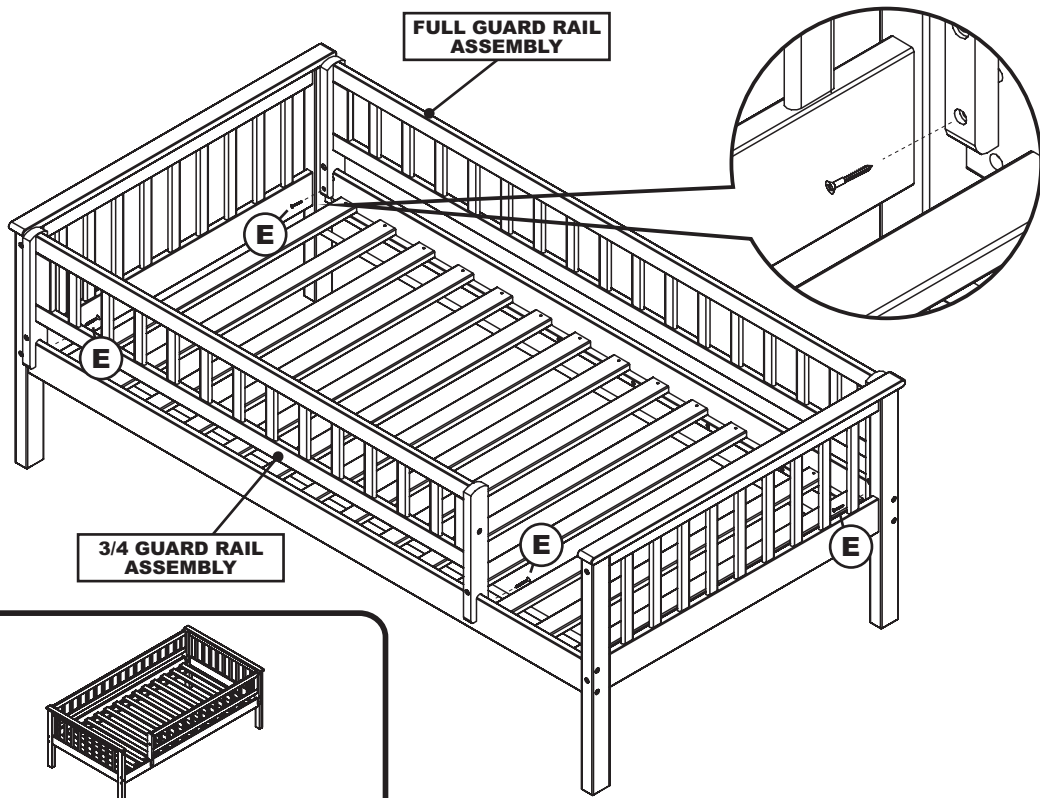


Customer Supplied

Phillips head screwdriver

STEP 4

Install the full and 3/4 guard rail assemblies onto the long rails, and fix in place using wood screws (E). Tighten with the Phillips head screwdriver. (Customer Supplied)



Adult Assembly



E

1 " Wood Screw



Customer Supplied

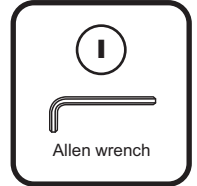
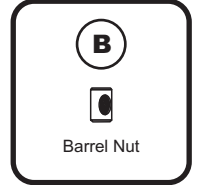
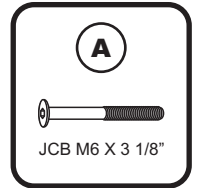
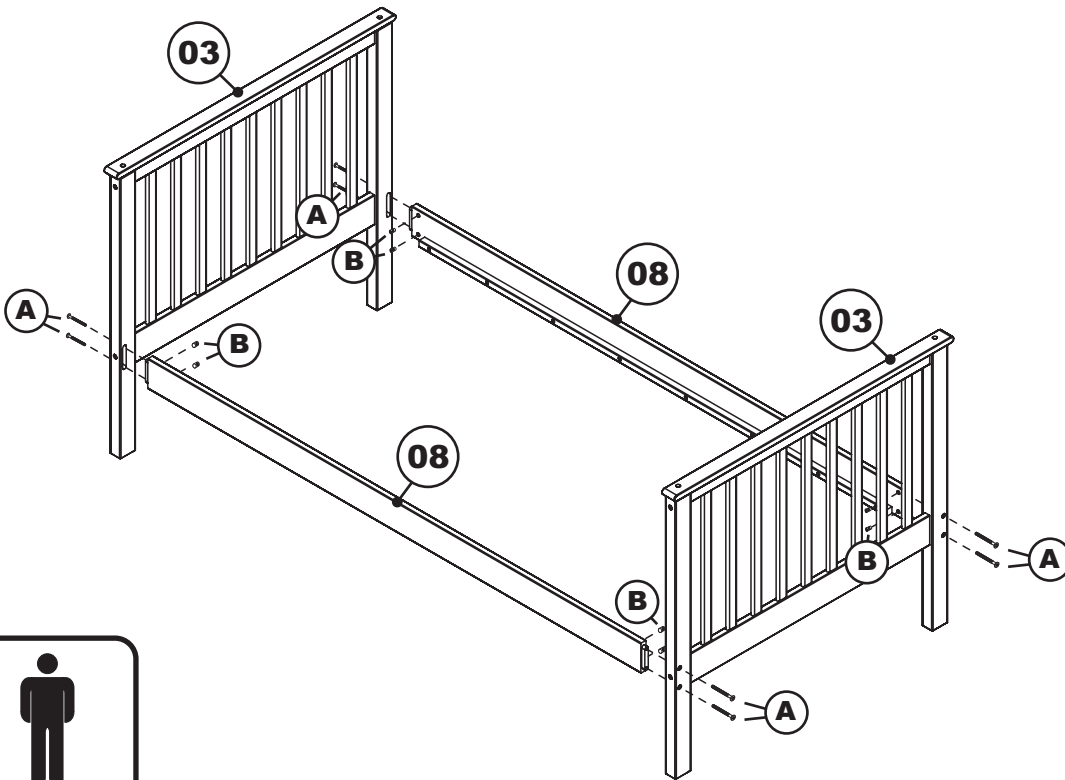
Phillips head screwdriver



GUARDRAIL CAN BE SET UP AT EITHER END OF THE BUNK BED

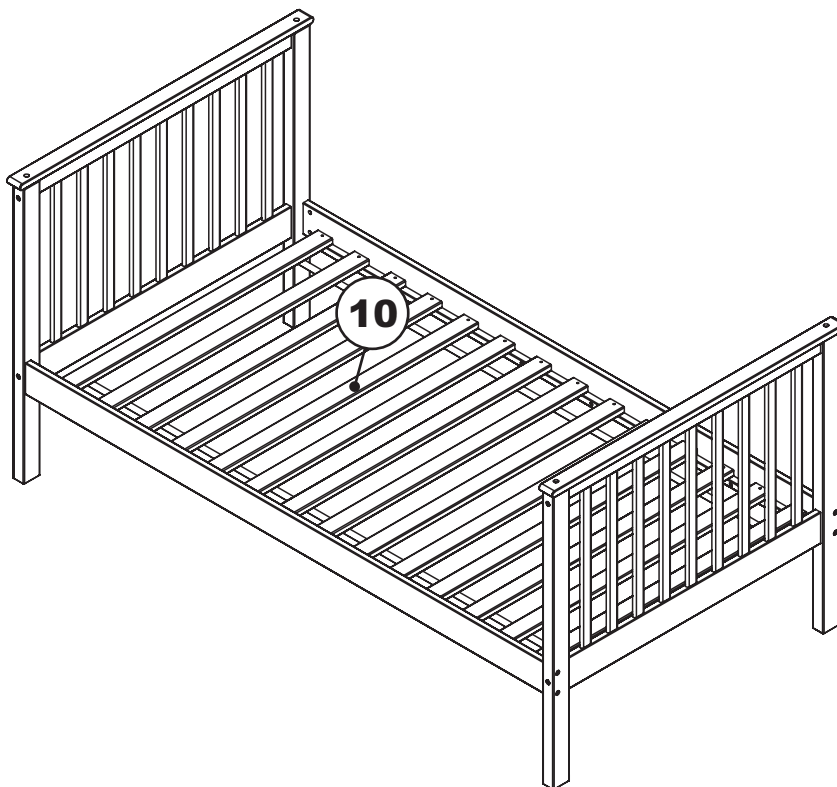
STEP 5

Attach the long rails (08) to the lower panel (03), using JCB M6 X 3 1/8" (A), and barrel nut (B). Tighten with the Allen wrench (I).



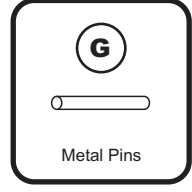
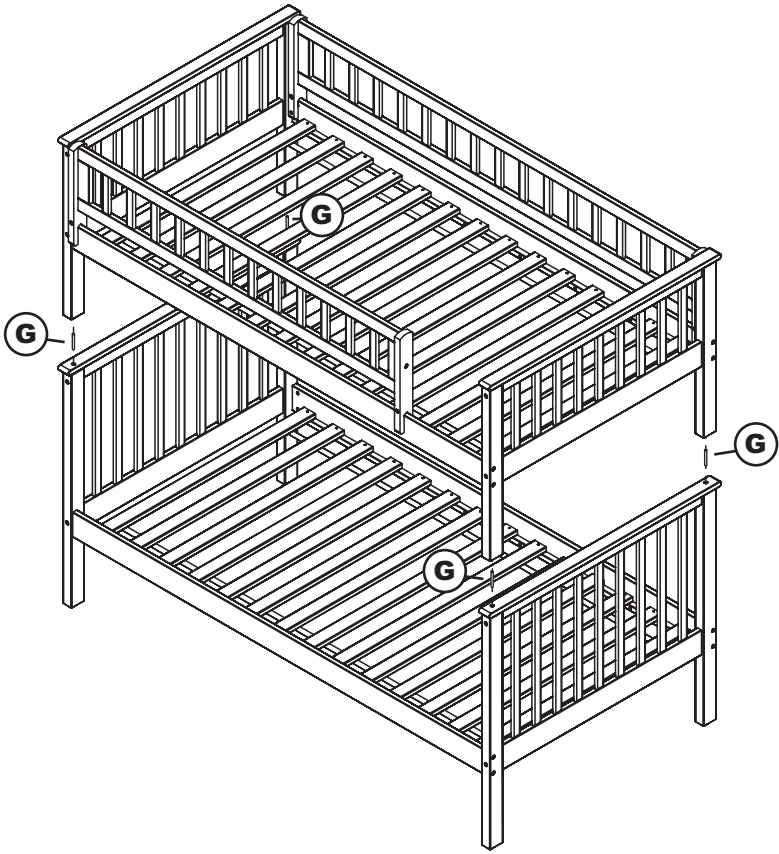
STEP 6

Lay the twin slat kit (10) onto the bed. Fix in place using wood screws provided in the slat kit box. FOR SLAT KIT ASSEMBLY follow assembly instructions included with slat kit.



STEP 7

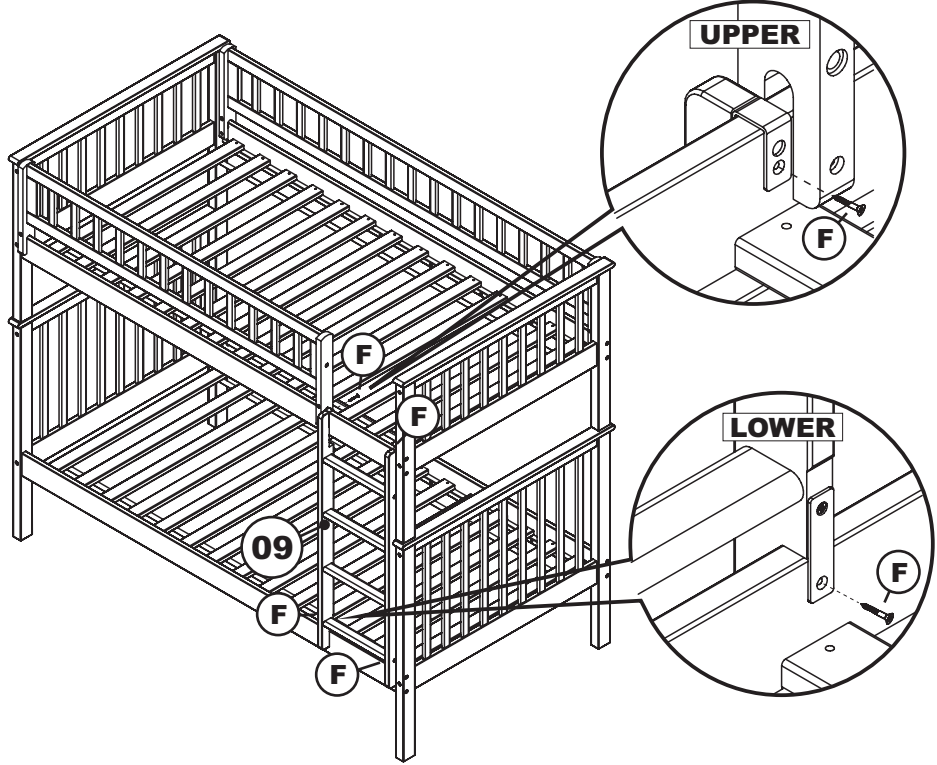
Insert metal pins (G) into the holes in top of the lower panels. Lift the upper panels onto the lower panels as shown, and fit the metal pins into the holes in the bottom of the upper panel legs.



CAUTION
This step requires two strong people.

STEP 8

Lastly, install Clip on Ladder (09). Using wood screw (F) tighten with Philips head Screwdriver.

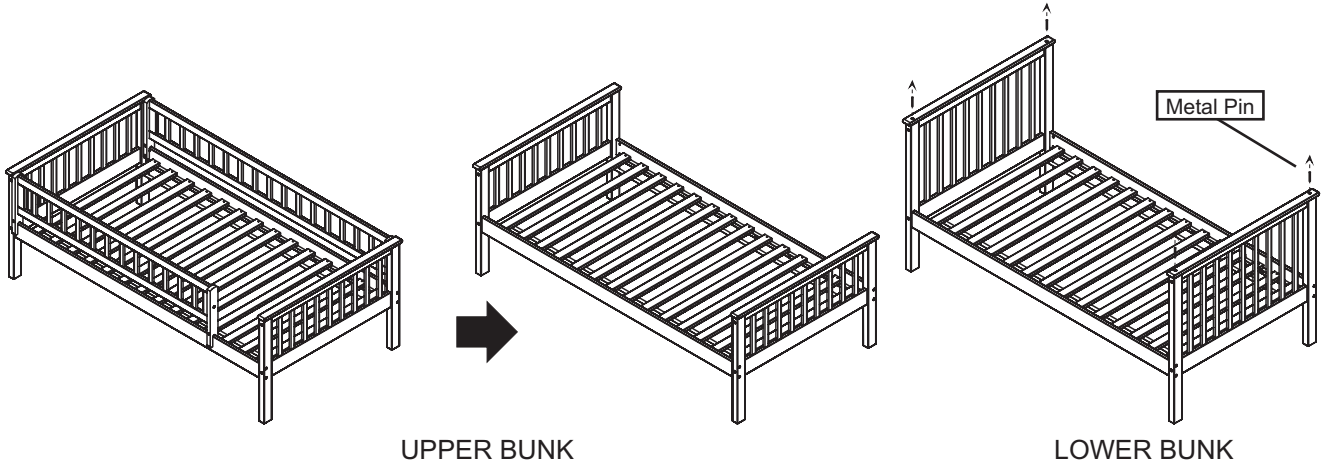


Congratulations !

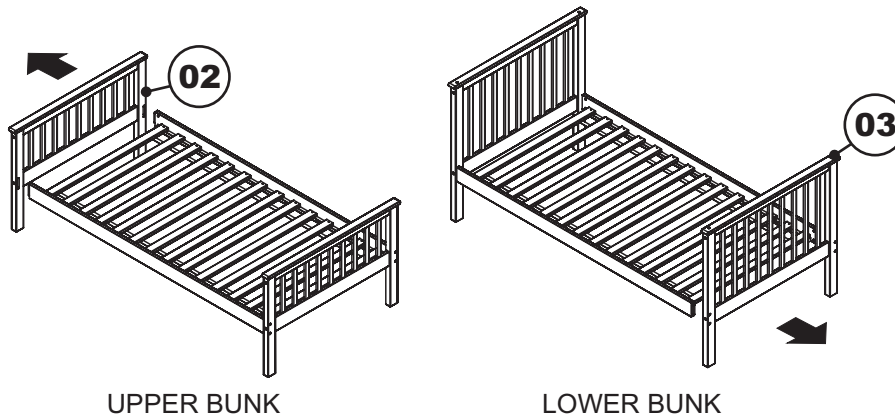
Your Woodland bunk bed is now ready for use.
We recommend that you recheck that all screws are tight,
and that all parts are secure before use. Periodically to ensure lasting Safety.

CONVERSION TO 2 TWIN BEDS.

Disassemble upper bunk by removing guard rails. Also remove metal pin from lower bunk.



Disassemble upper bunk by removing upper panel (02) and lower bunk by removing lower panel(03). Exchange upper panel to the lower panel position and Install hardware tighten with Allen wrench.



Use Wood button (H) to cover holes as shown below.

