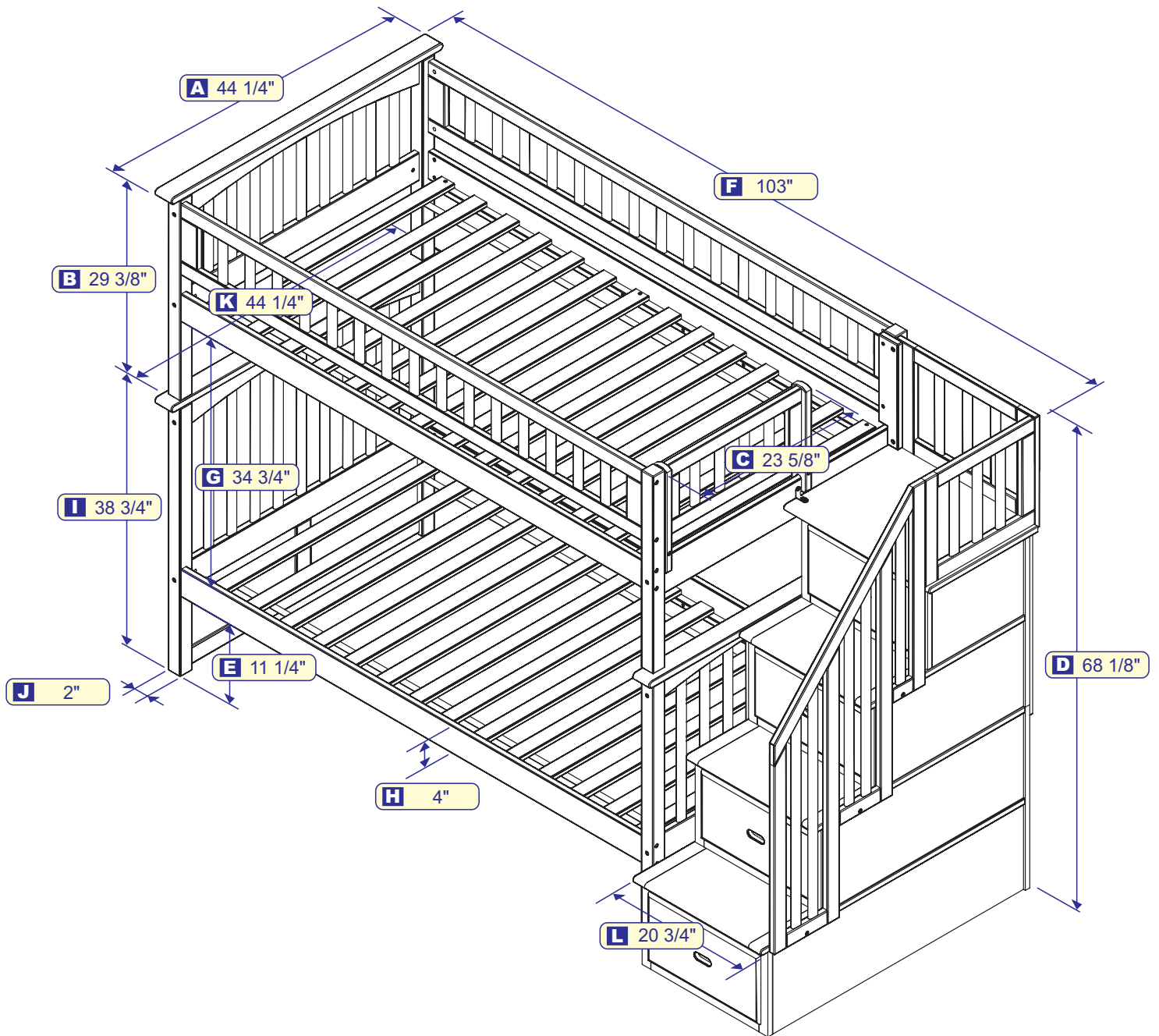


COLUMBIA STAIRCASE BUNK TWIN OVER TWIN



- A** UPPER BUNK PANEL WIDTH
- B** UPPER BUNK PANEL HEIGHT
- C** SHORT GUARD RAIL OVERALL LENGTH
- D** OVERALL BUNK HEIGHT
- E** DISTANCE BETWEEN LOWER RAIL AND FLOOR
- F** OVERALL LENGTH
- G** DISTANCE BETWEEN UPPER AND LOWER RAILS
- H** WIDTH OF BUNK RAIL
- I** HEIGHT OF LOWER BUNK
- J** WIDTH OF POST
- K** LOWER BUNK PANEL WIDTH
- L** STAIRCASE WIDTH