



# BORDEAUX HEADBOARD

ATLANTIC FURNITURE

## ASSEMBLY INSTRUCTIONS

Before assembling your Headboard, please read through these instructions carefully. Familiarize yourself with the different parts.

**ATTENTION!** If you receive a damaged or defective item,

please contact Atlantic Furniture at [service@atlanticfurniture.com](mailto:service@atlanticfurniture.com) 1-800-955-3726 / M-F 9:00-5:00 EST

### PARTS LIST

- ① HEADBOARD PANEL 1 PC
- ② LEFT LEG 1 PC
- ③ RIGHT LEG 1 PC
- ④ SPACER BLOCK 2 PCS

Instructions apply for all sizes of bed  
Full > Queen > King

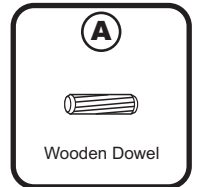
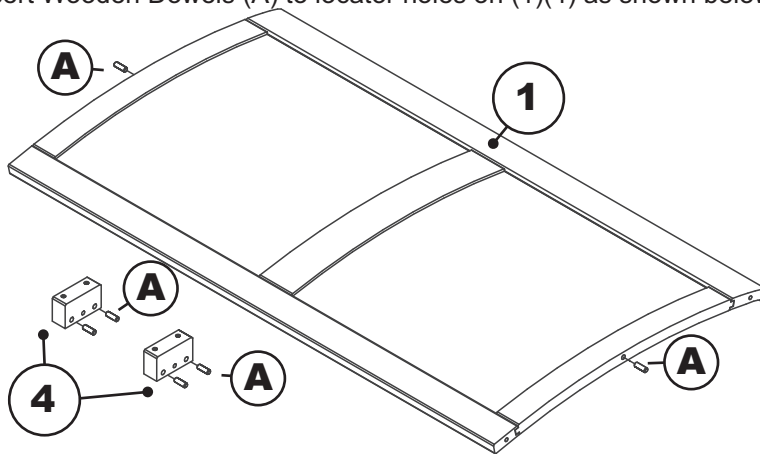
### HARDWARE

- ① Wooden Dowel 10 X 30mm - 6 pcs  
Spare - 2 pcs
- ② JCB M6 X 50mm (2") - 2 pcs  
Spare - 1 pc
- ③ JCB M6 X 70mm (2 3/4") - 4 pcs  
Spare - 1 pc
- ④ Barrel Nut - 4 pcs  
Spare - 1 pc
- ⑤ Wood Button - 4 pcs  
Spare - 1 pc
- ⑥ JCB M6 X 25mm (1") - 4 pcs  
Spare - 1 pc
- ⑦ Flat Washer - 4 pcs  
Spare - 1 pc
- ⑧ Split Washer - 4 pcs  
Spare - 1 pc
- ⑨ Allen Wrench - 1 pc  
Spare - 1 pc

NOTE: WE INCLUDE SPARE HARDWARE IN CASE THE ALLEN WRENCH, JCB, BARREL NUT, WOODEN DOWEL, WOOD BUTTON OR WASHER ARE DAMAGED DURING ASSEMBLY.

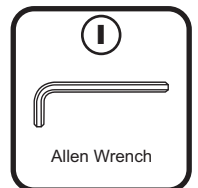
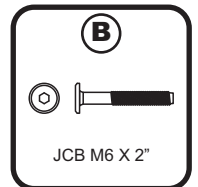
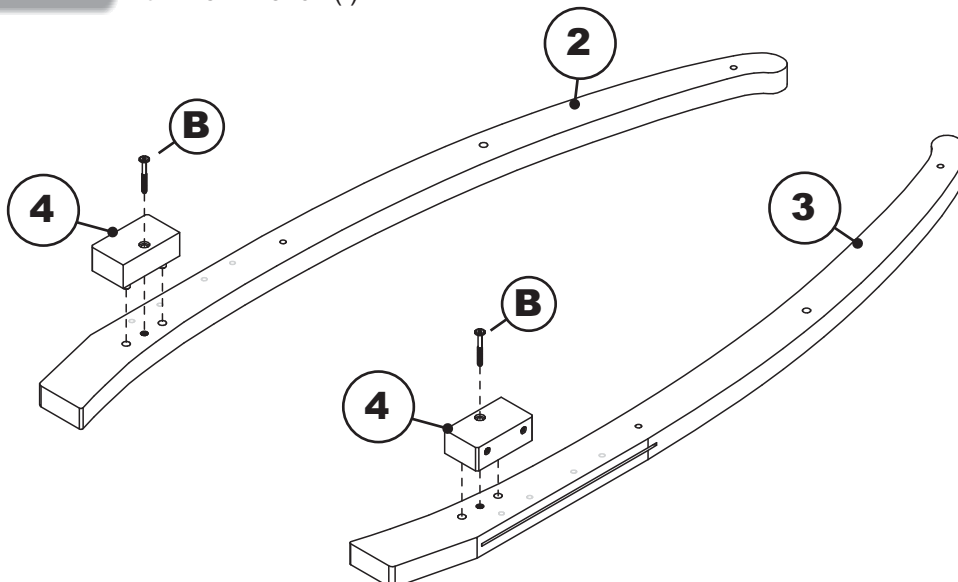
### Step 1

Insert Wooden Dowels (A) to locator holes on (1)(4) as shown below.



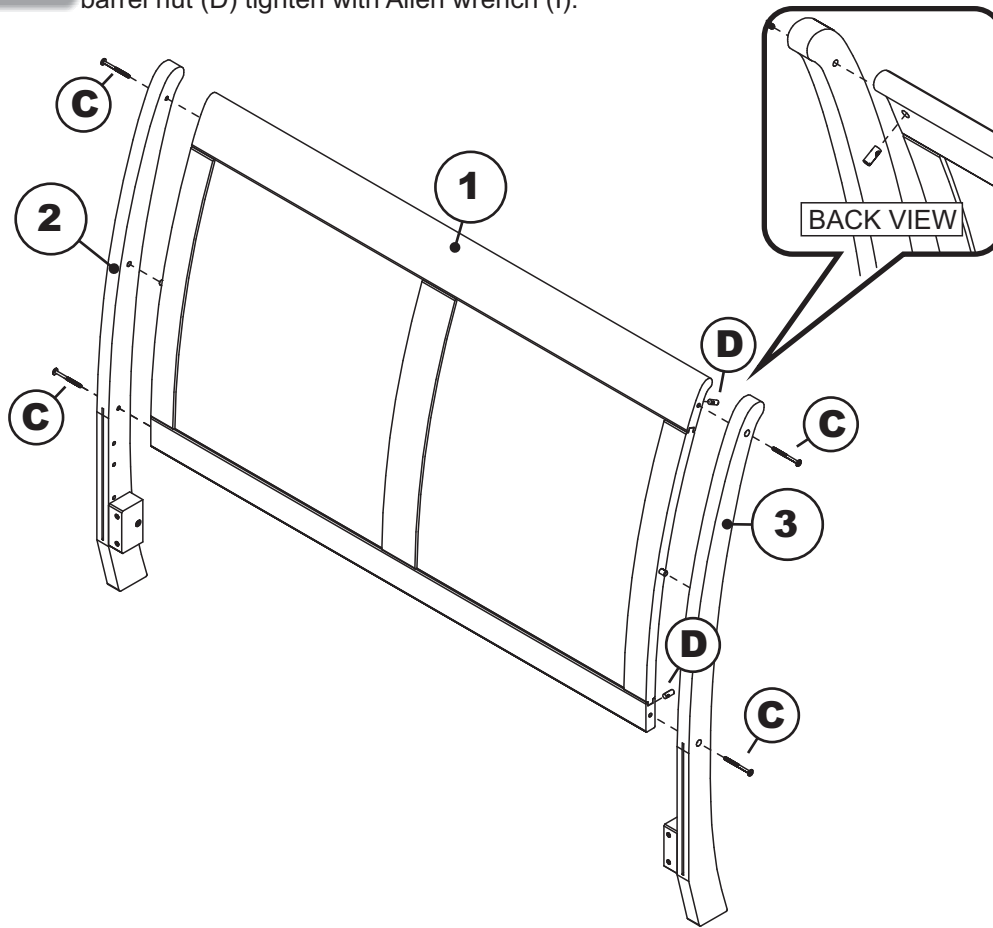
### Step 2

Attach spacer block (4) to the Legs (2)(3) as shown below, using JCB (B) tighten with Allen wrench (I).



### Step 3

Attach left, right legs (2)(3) to the headboard panel (1) as shown below. Using JCB (C) and barrel nut (D) tighten with Allen wrench (I).



Adult Assembly

(C)



JCB M6 X 2 3/4"

(D)



Barrel Nut

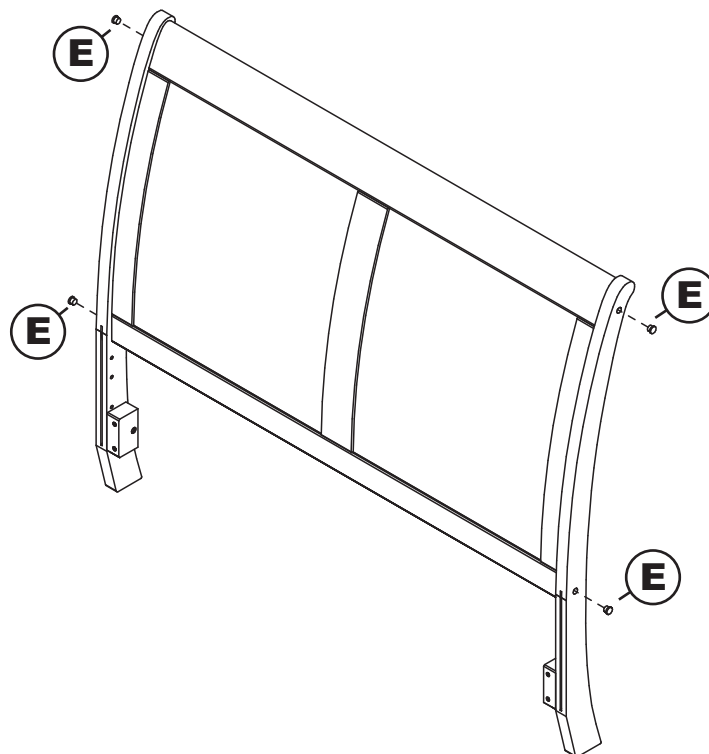
(I)



Allen Wrench

### Step 4

Use wood button (E) to cover holes as shown below.



Adult Assembly

(E)



Wood Button

## Congratulations !

Your Bordeaux Headboard is now ready to assembly.  
We recommend that you periodically check that all screws are tight  
and all parts are secure to ensure lasting safety.



# BORDEAUX BED

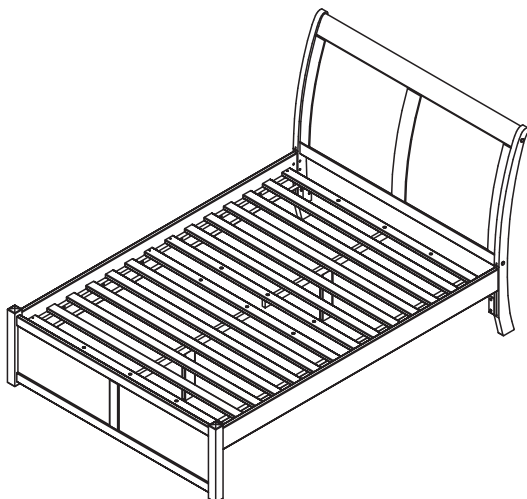
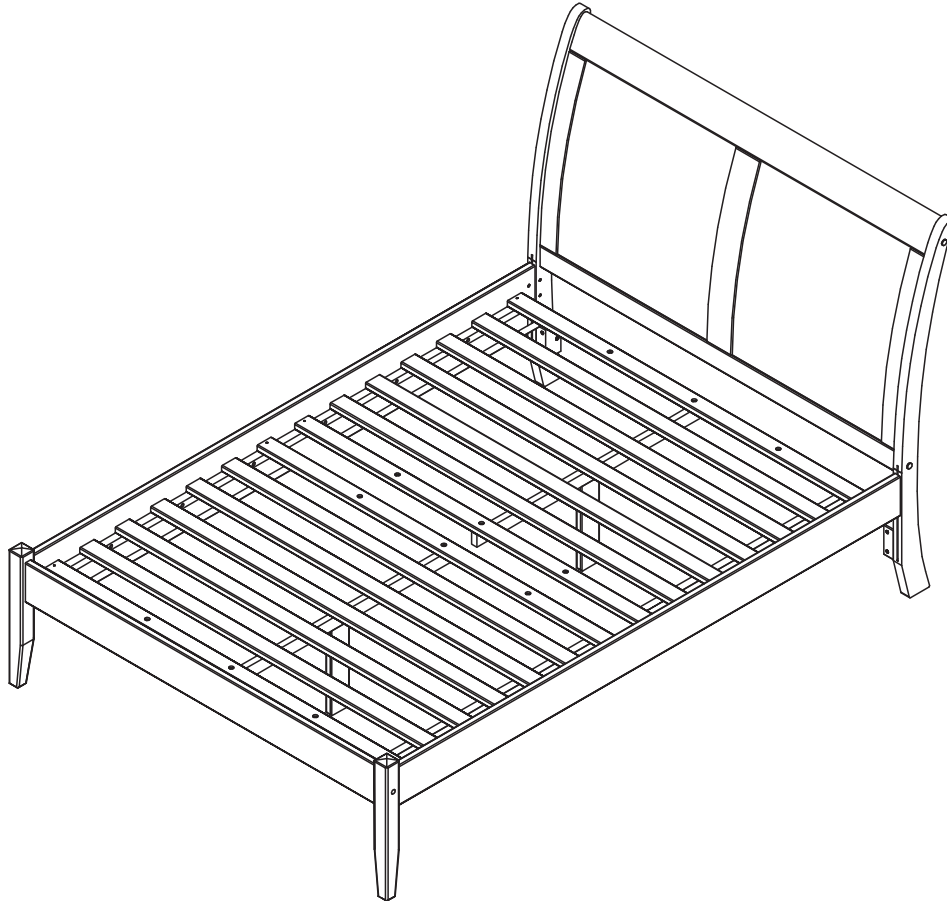
ATLANTIC  
FURNITURE

## ASSEMBLY INSTRUCTIONS

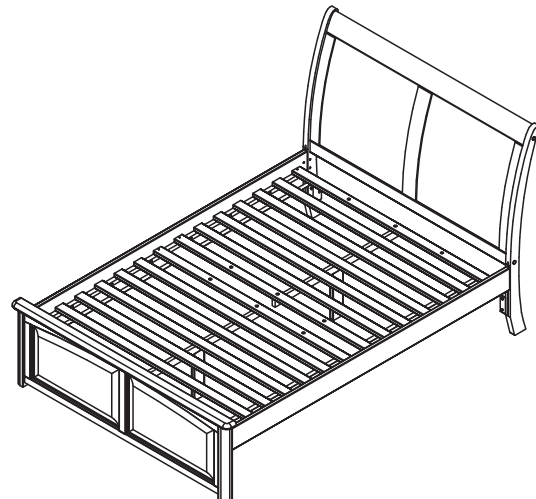
Before assembling your Bed, please read through these instructions carefully. Familiarize yourself with the different parts.

Instructions apply for all sizes of bed  
Full > Queen > King

### BED SHOWN WITH OPEN FOOTRAIL



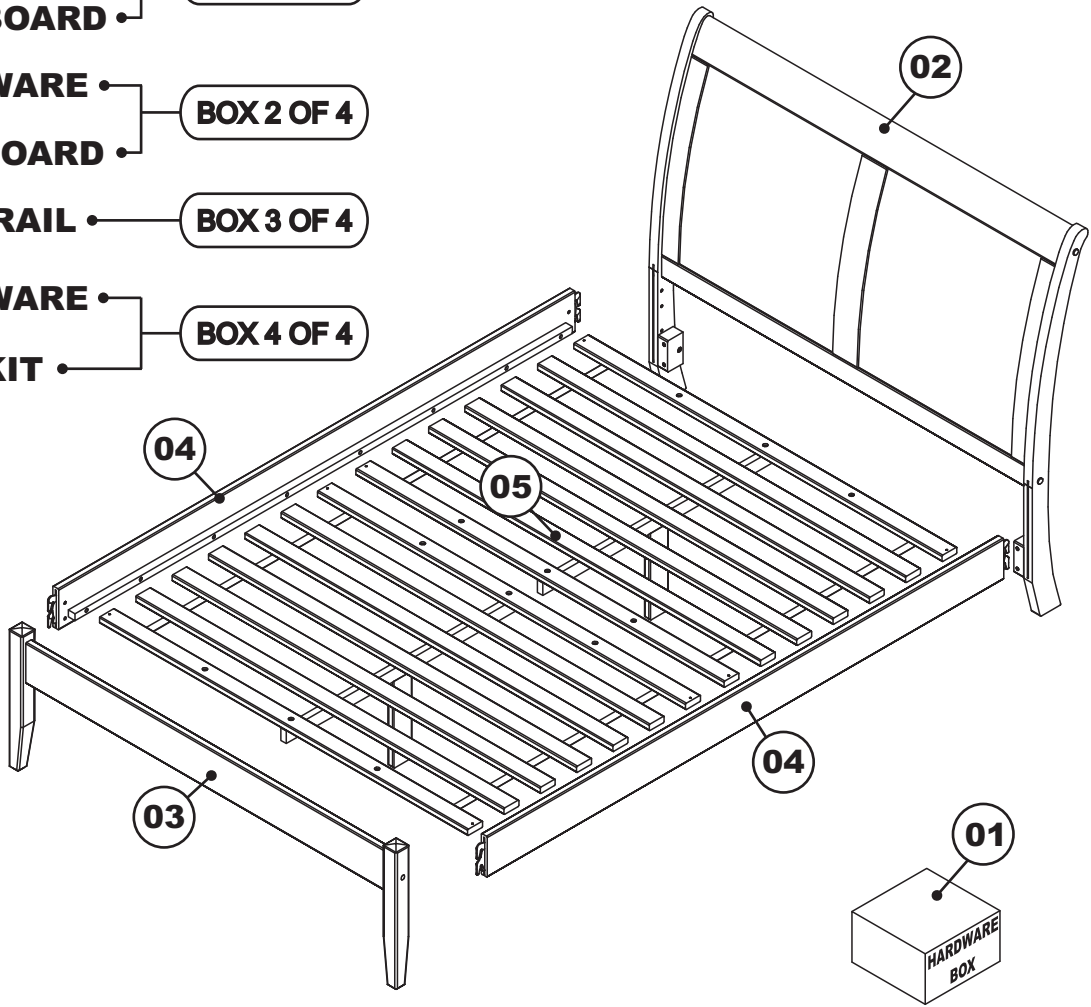
BED SHOWN WITH FLAT PANEL FOOTBOARD



BED SHOWN WITH RAISED PANEL FOOTBOARD

# PARTS LIST

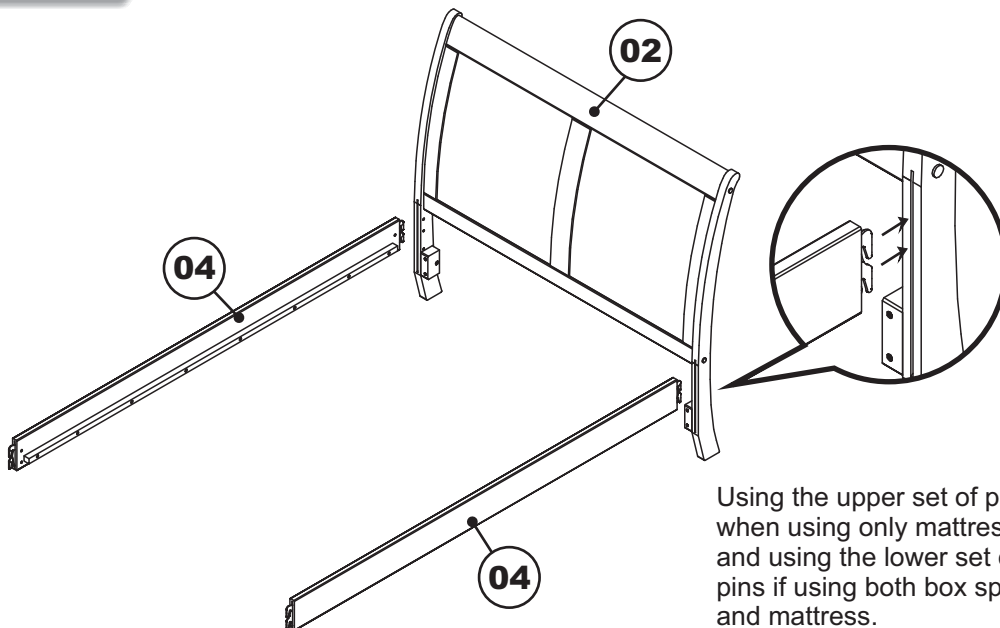
- 01 HARDWARE — BOX 1 OF 4
- 02 HEADBOARD — BOX 1 OF 4
- 01 HARDWARE — BOX 2 OF 4
- 03 FOOTBOARD — BOX 2 OF 4
- 04 LONG RAIL — BOX 3 OF 4
- 01 HARDWARE — BOX 4 OF 4
- 05 SLAT KIT — BOX 4 OF 4



BED SHOWN WITH OPEN FOOTRAIL

## Step 1

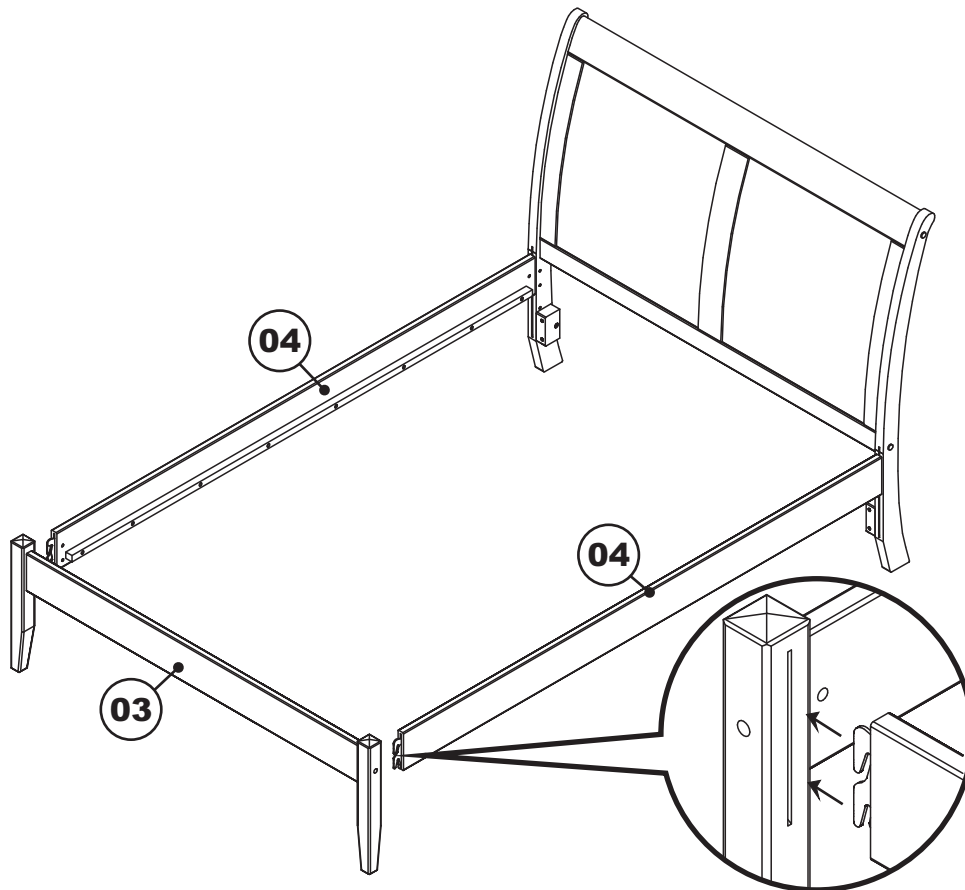
Attach the long rail (04) to the headboard (02) using bed hook as shown below.



Using the upper set of pins when using only mattress, and using the lower set of pins if using both box spring and mattress.

**Step 2**

Attach the long rail assemblies (04) to the footboard (03) using bed hook as shown below.

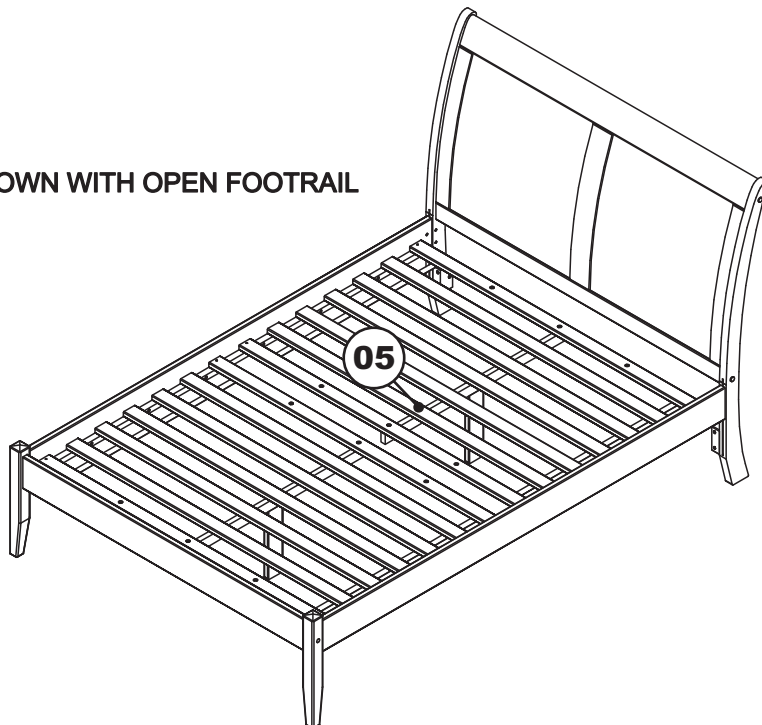


**BED SHOWN WITH OPEN FOOTRAIL**

**Step 3**

Lastly, lay slat kit (05) onto the bed.  
For slat kit assembly, follow assembly instructions included with slat kit.

**BED SHOWN WITH OPEN FOOTRAIL**



**Congratulations !**

Your Bordeaux Bed is now ready for use.  
We recommend that you periodically check that all screws are tight  
and all parts are secure to ensure lasting safety.



# BORDEAUX HEADBOARD

attach to metal frame sold separately

ATLANTIC  
FURNITURE

## ASSEMBLY INSTRUCTIONS

Before assembling your Bed, please read through these instructions carefully. Familiarize yourself with the different parts.

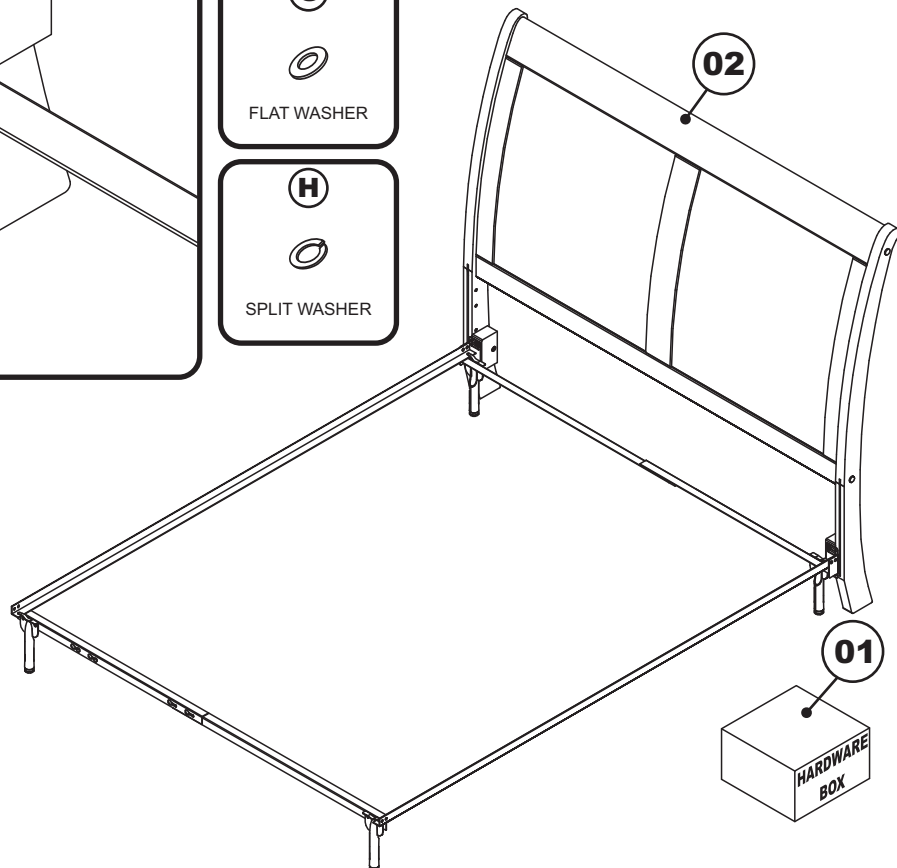
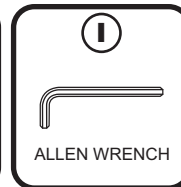
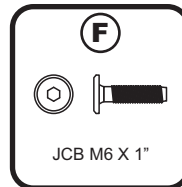
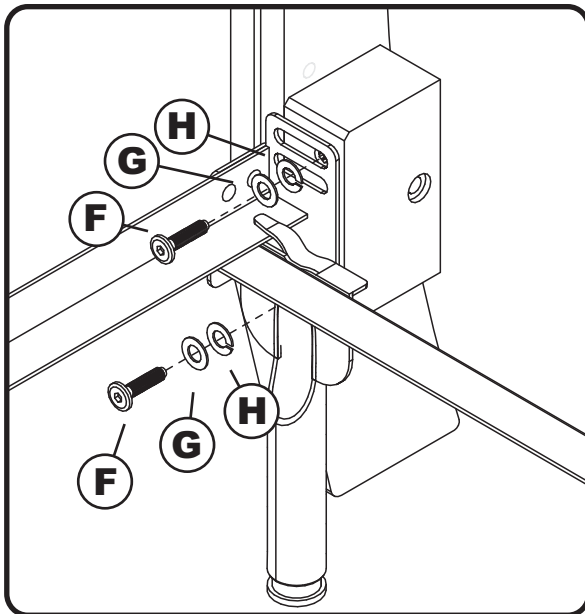
Instructions apply for all sizes of bed  
Full > Queen > King



## PARTS LIST

- 01 HARDWARE
- 02 HEADBOARD

**Step 1** Attach the headboard assemblies (02) to the metal frame as shown below. Using JCB (F) and flat, split washer (G)(H) tighten with Allen wrench (I).



**Congratulations !**

Your Bordeaux Bed is now ready for use.  
We recommend that you periodically check that all screws are tight  
and all parts are secure to ensure lasting safety.