



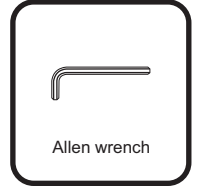
URBAN LIFESTYLE TRUNDLE BED

ATLANTIC FURNITURE

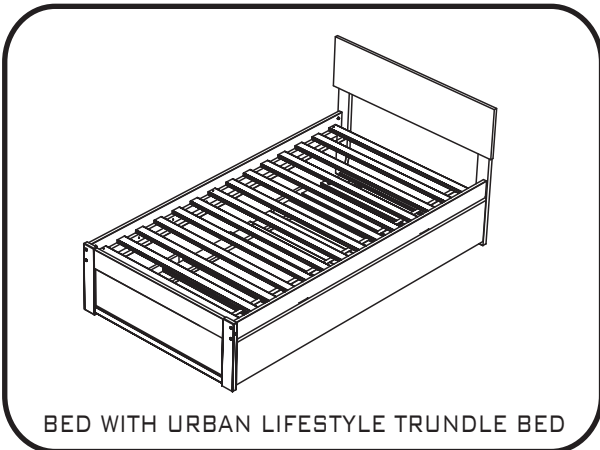
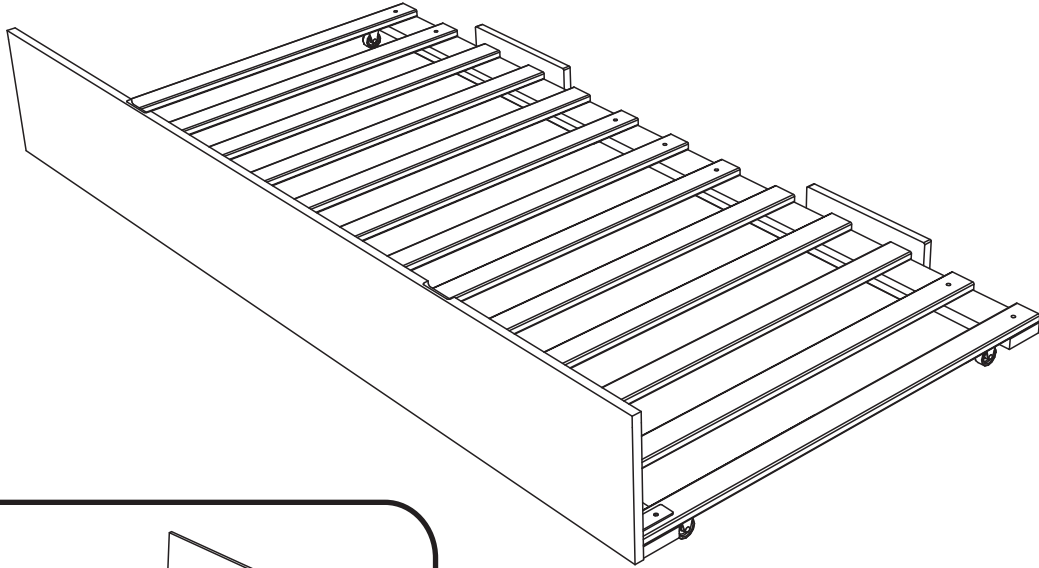
ASSEMBLY INSTRUCTIONS



Before assembling your trundle bed, please read through these instructions carefully. Familiarize yourself with the different parts.



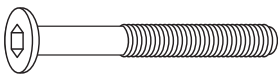
ATTENTION! If you receive a damaged or defective item, please contact Atlantic Furniture at service@atlanticfurniture.com 1-800-955-3726 / M-F 9:00-5:00 EST

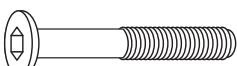


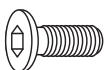
BED WITH URBAN LIFESTYLE TRUNDLE BED

HARDWARE

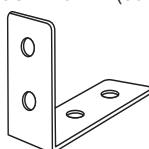
NOTE: WE INCLUDE SPARE HARDWARE IN CASE THE ALLEN WRENCH, JCB OR BARREL NUT ARE DAMAGED DURING ASSEMBLY.

- A**  JCB M6 X 2 3/8" (60mm) - 4 pcs
Spare - 1 pc

- B**  JCB M6 X 1 3/4" (45mm) - 17 pcs
Spare - 2 pcs

- C**  JCB M6 X 5/8" (15mm) - 6 pcs
Spare - 2 pcs
Fix L Bracket to Front Panel

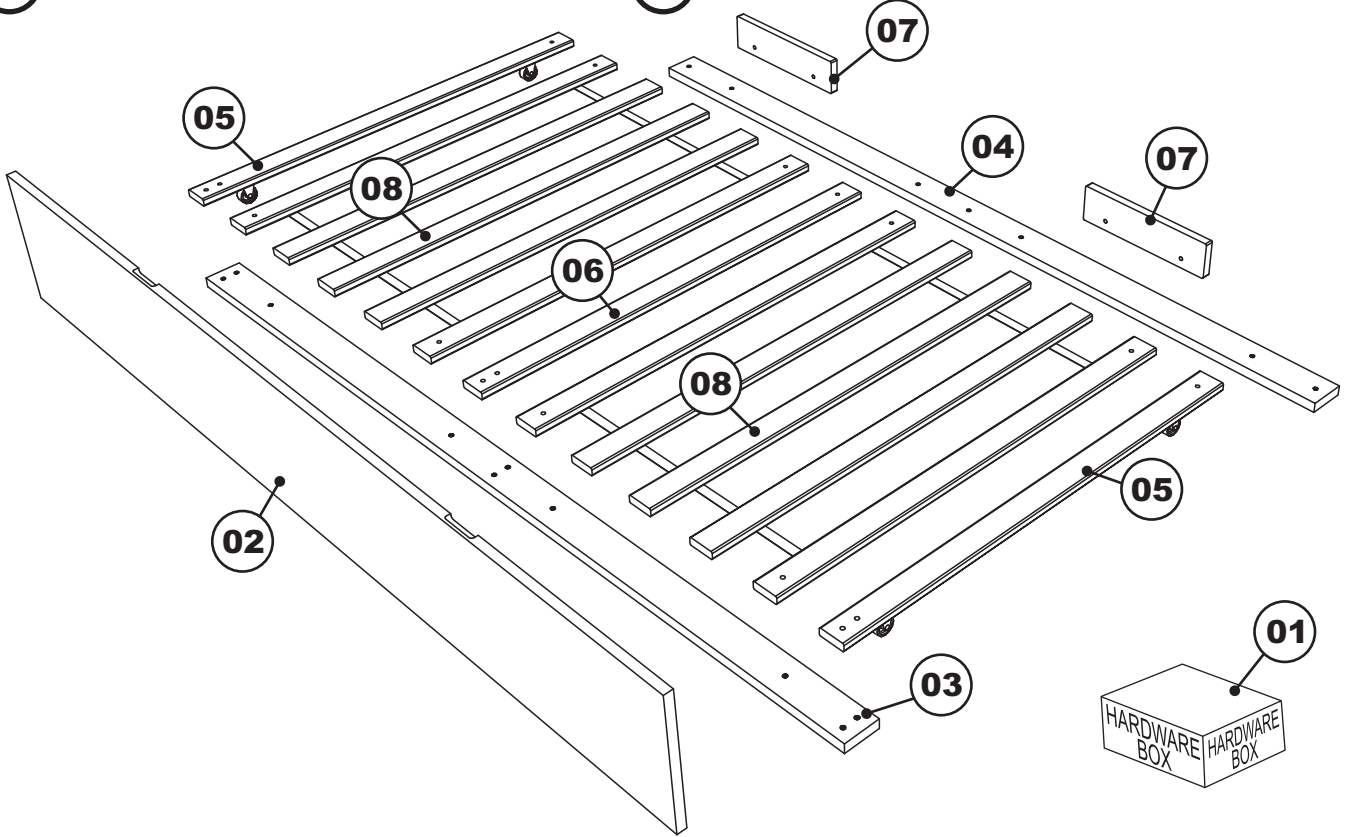
- D**  Barrel Nut - 4 pcs
Spare - 1 pc
For JCB M6 X 2"(50mm)

- E**  L Bracket - 3 pcs

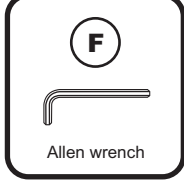
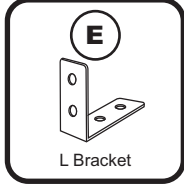
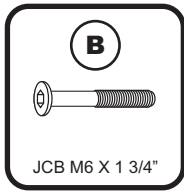
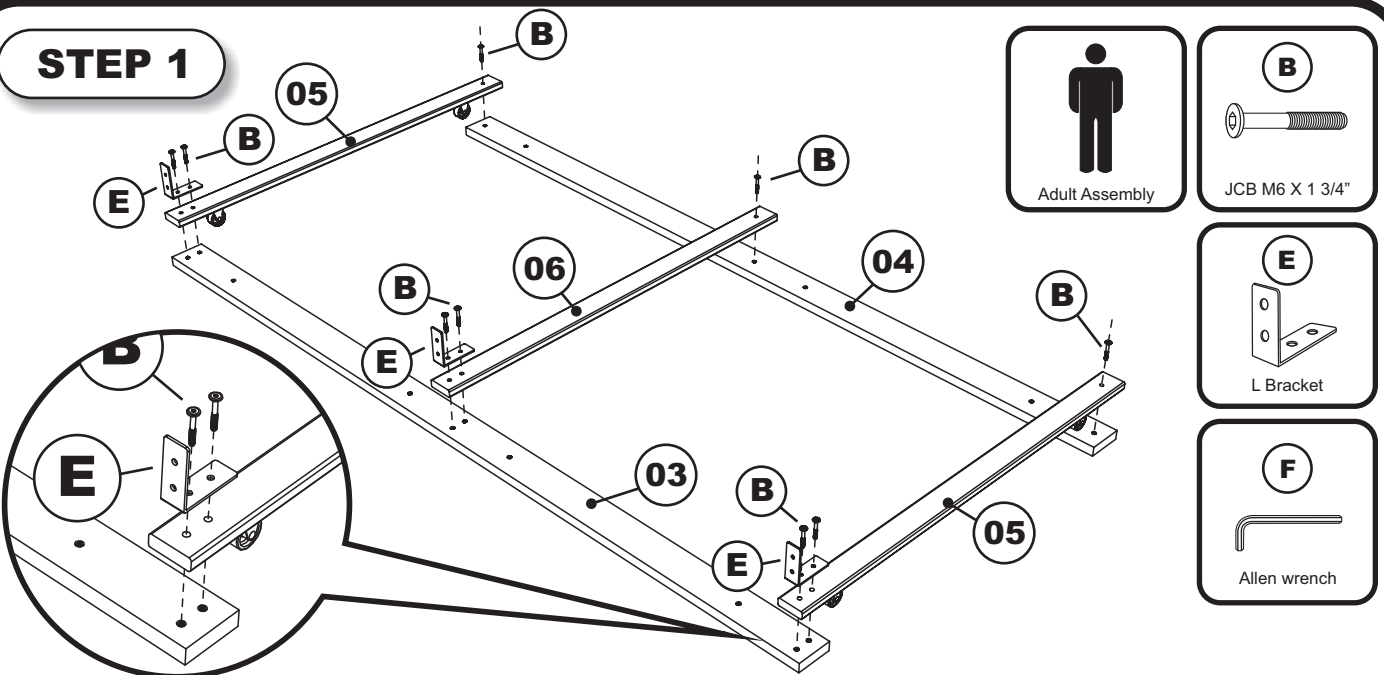
- F**  Allen wrench - 1 pc
Spare - 1 pc

PARTS LIST

01	HARDWARE	1 BOX	05	SIDE CROSS RAIL	2 PCS
02	FRONT PANEL	1 PC	06	CENTER CROSS RAIL	1 PC
03	FRONT RAIL	1 PC	07	BACK BOARD	2 PCS
04	BACK RAIL	1 PC	08	SLAT	2 SET

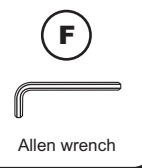
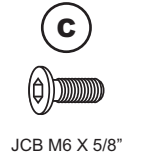
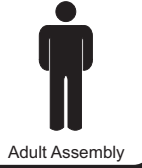
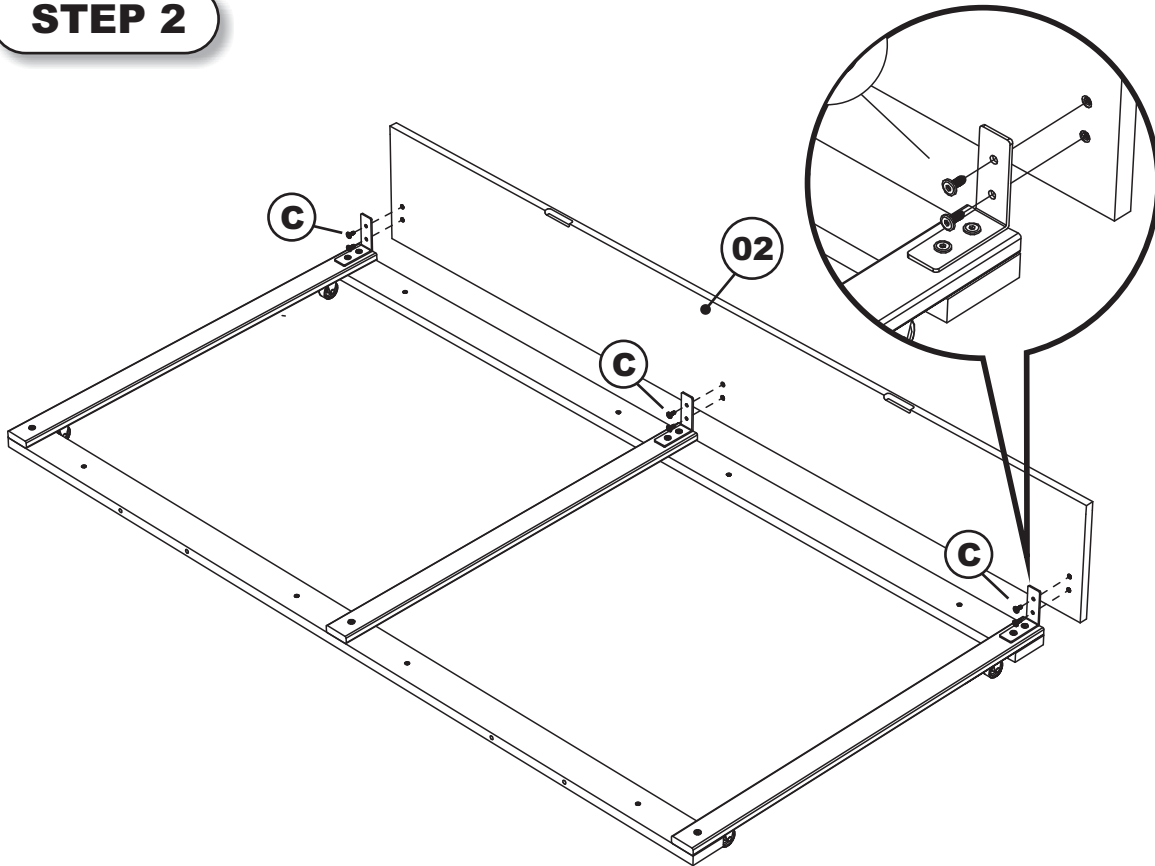


STEP 1



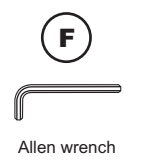
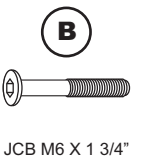
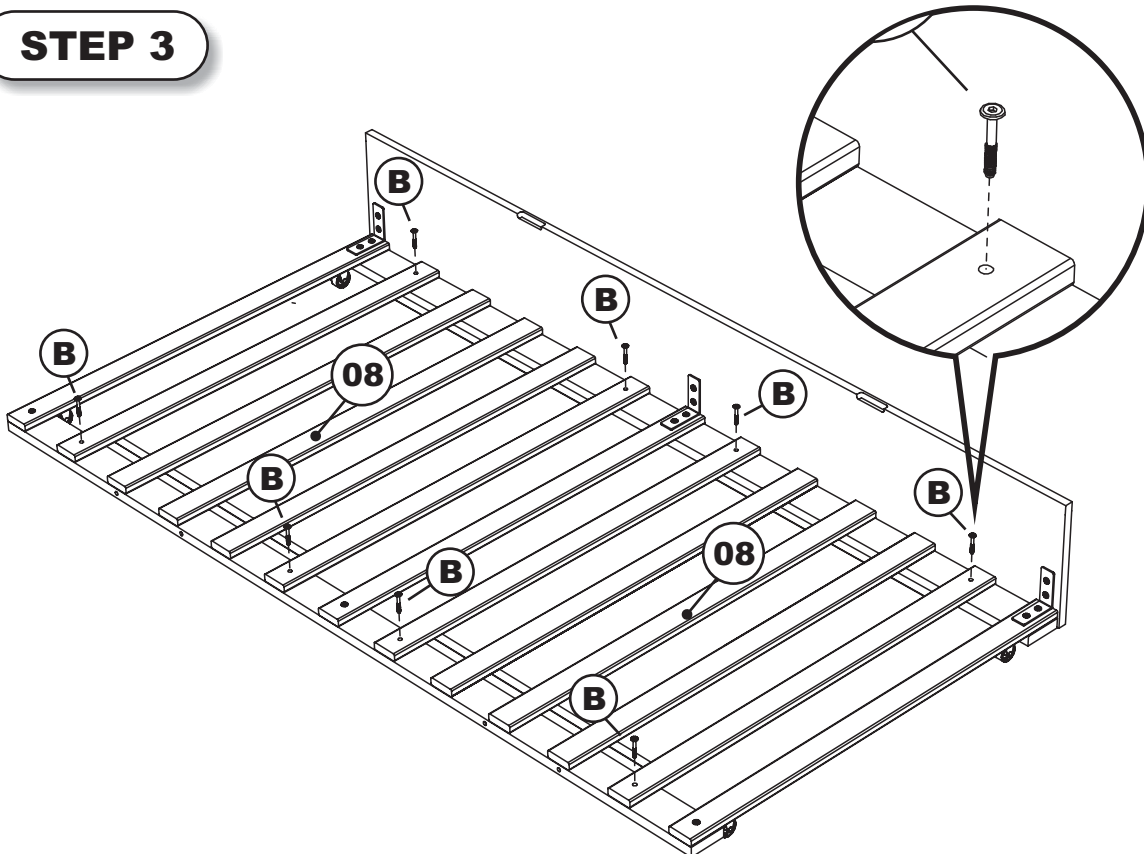
Attach the side cross rail (05) center cross rail (06) to the front and back rail (03)(04), using L bracket (E), JCB M6 X 1 3/4"(B). Tighten with the Allen wrench (F).

STEP 2



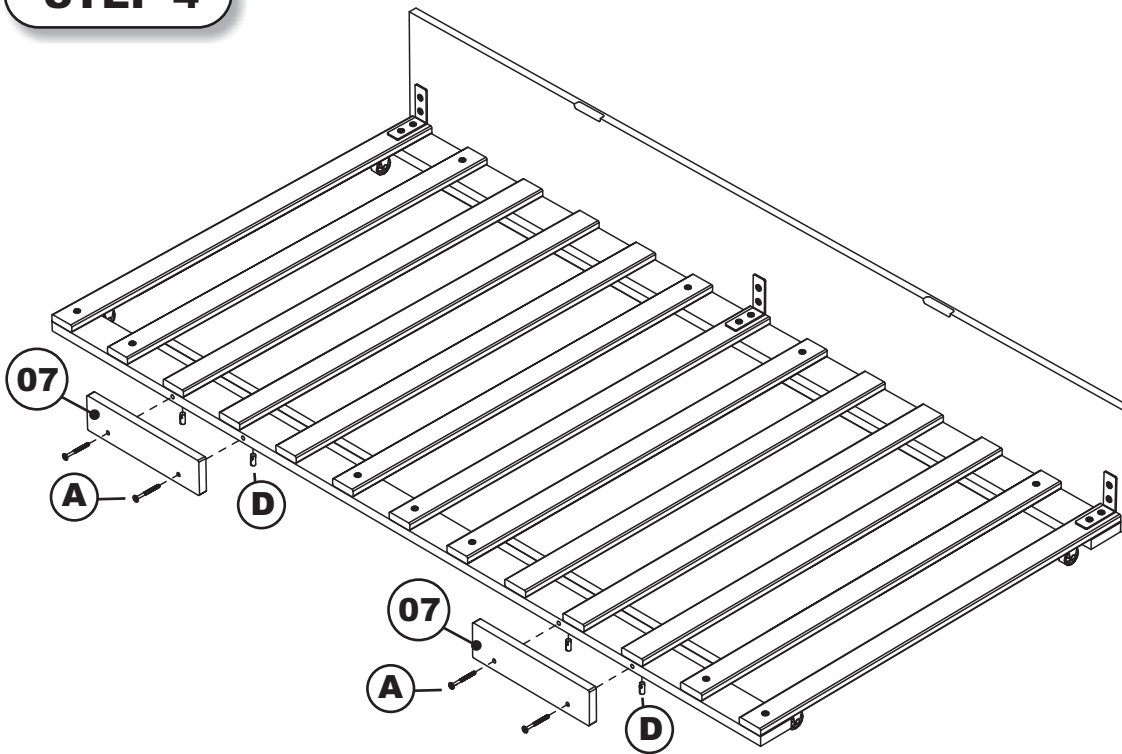
Attach the front panel (02) to the rail assemblies as shown, using JCB M6 X 5/8" (C).
Tighten with the Allen wrench (F).

STEP 3



Lay the slat kit (08) onto the rail assemblies as shown, using JCB M6 X 1 3/4" (B).
Tighten with the Allen wrench (F).

STEP 4



Adult Assembly

A



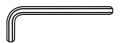
JCB M6 X 2 3/8"

D



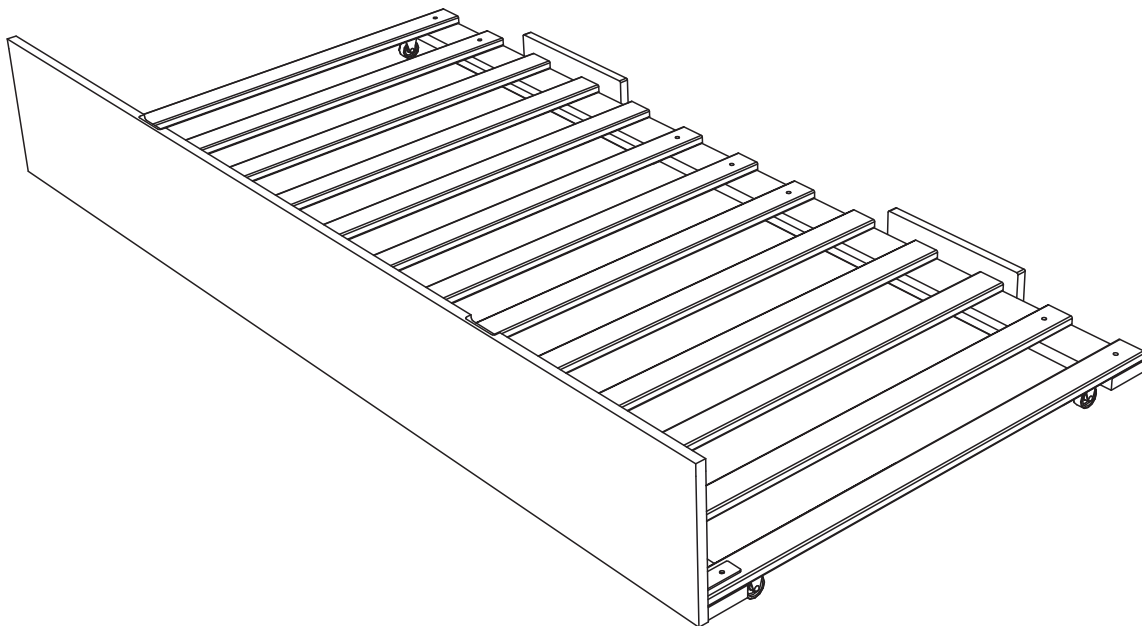
Barrel Nut

F



Allen wrench

Attach the back boards (07) to the rail assemblies as shown. Using JCB M6 X 2 3/8"(A) barrel nut (D), tighten with the Allen wrench (F)



Congratulations !

Your Trundle Bed is now ready for use.
We recommend that you periodically check that all screws are tight
and all parts are secure to ensure lasting safety.