

m o o o i<sup>®</sup>



## Container Vase

A decorative accessory from the Moooi collection. Functional for fabulous floral displays or wine cooling.

<i>Designer</i>	Marcel Wanders	
<i>Year of design</i>	2007	
<i>Material</i>	PE	
<i>Additional</i>	Container foot sold separately Indoor and outdoor use	
<i>Product Codes</i>	Container Vase White	MOAVASE---W
	Container Vase Black	MOAVASE---B
	Container vase foot 7030 White	MOACVP0073W
	Container vase foot 7030 Black	MOACVP0073B
	Container vase foot 10030 White	MOACVP0103W
	Container vase foot 10030 Black	MOACVP0103B

### Detailing

Small handles located on both sides of the vase enable easy handling.

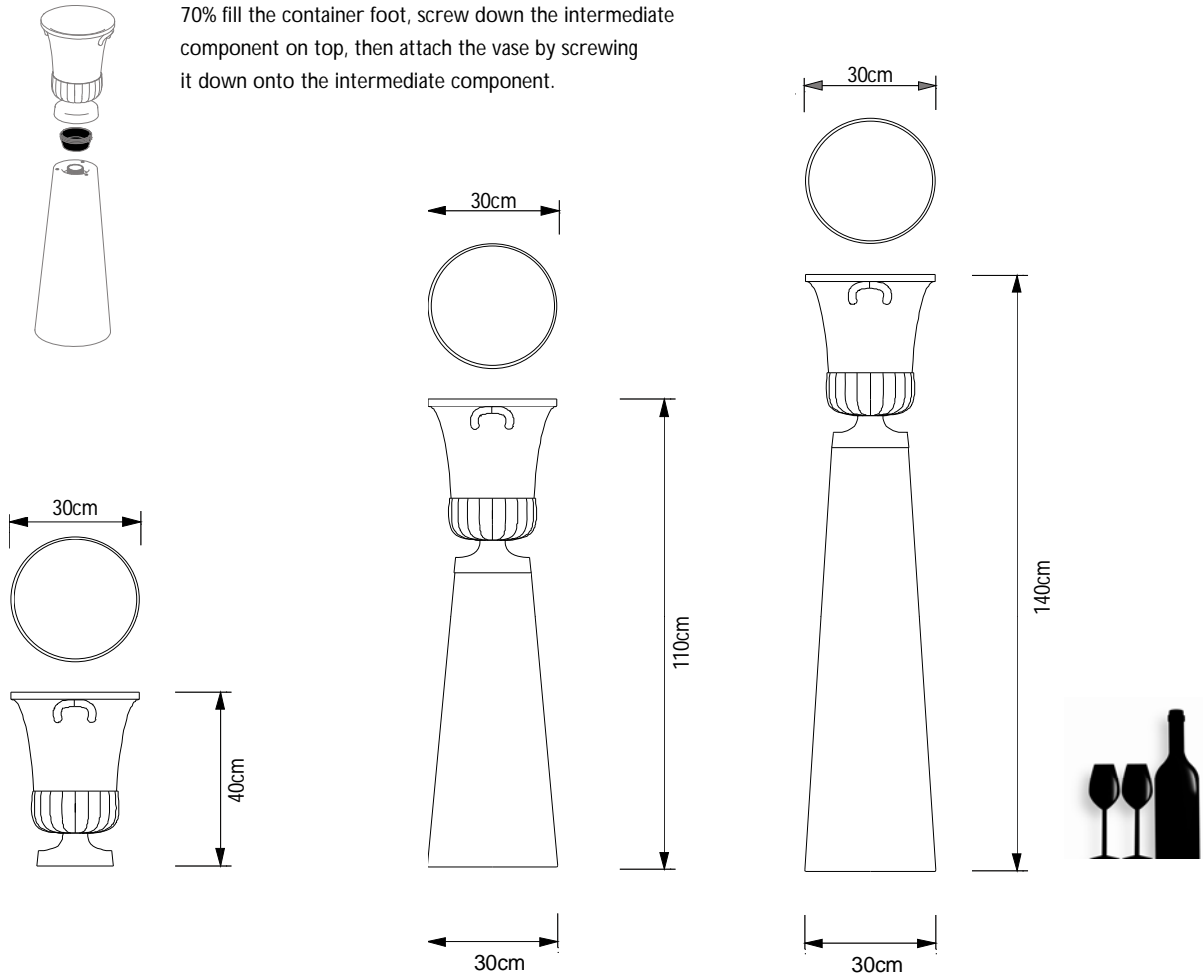


### Colour



## Main dimensions

Fig.1



## Technical

The Container Vase is attached with a threaded intermediate component (supplied with the foot) that simply screws into place at the top of the Container foot so that the Vase can then be screwed down on top ( see fig.1)). Although this adds stability, Moooi does not recommend lifting the Vase and container foot whilst joined. This should be done whilst they are separated. Moooi recommends filling the foot with sand but, if liquid is used, be sure to add anti-algae agents to the water and anti-freeze during cold seasons. The Container foot must be filled by at least 70%.

## Packaging

	Vase H45cm W35cm D35cm		70 foot H75cm W35cm D35cm		100 foot H105cm W35cm D35cm
	1-Colli 2,5 Net 3.7 Gross		1-Colli 3.0 Net 4.5 Gross		1-Colli 3.3 Net 5.5 Gross

m o o o i<sup>®</sup>

---

*Photography*



---

***Cleaning Instructions***

Cleaning PE: any household cleaning liquid can be used in combination with a soft cloth, but avoid abrasive cleaner. For tough stains PVC cleaner is advised. PE is resistant to a wide variety of chemicals.

---