

# INSTALLATION AND SAFETY INSTRUCTIONS

## FOR YOUR SAFETY

**WARNING: BE SURE THE ELECTRICITY TO THE WIRES YOU ARE WORKING ON IS SHUT OFF. EITHER THE FUSE REMOVED OR THE CIRCUIT BREAKER OFF .**

## GENERAL

You do not need any special tools to install this fixture. Be sure to follow the steps in the order given. Read instructions carefully. **If you are unclear as to how to proceed, consult a qualified electrician.**

**NOTE: In order for this lighting fixture to operate properly the buildings electrical system must be grounded. If you are unclear as to how to proceed, consult a qualified electrician.**

**NOTE: FOR FIXTURES PROVIDED WITH 75°C OR 90°C SUPPLY WIRE WARNING ONLY-(THESE WARNINGS ARE PROVIDED ON THE U.L. LABEL AND ON THE FIXTURE CARTON): RISK OF FIRE. MOST DWELLINGS BUILT BEFORE 1985 HAVE SUPPLY WIRE RATED 60°C. CONSULT A QUALIFIED ELECTRICIAN BEFORE INSTALLING.**

## ASSEMBLY

### STEP 1:

Remove center cover (B) by squeezing cover together and pulling out of tabs (C).

### STEP 2:

Remove 7/8" diameter wire exit plug and oval mounting knock-outs by taking a screwdriver and punching out plug and knock-outs from back side of fixture pan (A).

**Do not install on a ceiling that would cause the lift and shift mechanism to disengage (ie. slope ceiling, drop ceiling etc.)**

### STEP 3:

Install (one) end cap (O) onto fixture pan (A). secure in place with cap nut (E).

**IF SUPPLY WIRES ARE LOCATED WITHIN 3" OF BALLAST, USE WIRE RATED FOR AT LEAST 90°C.**

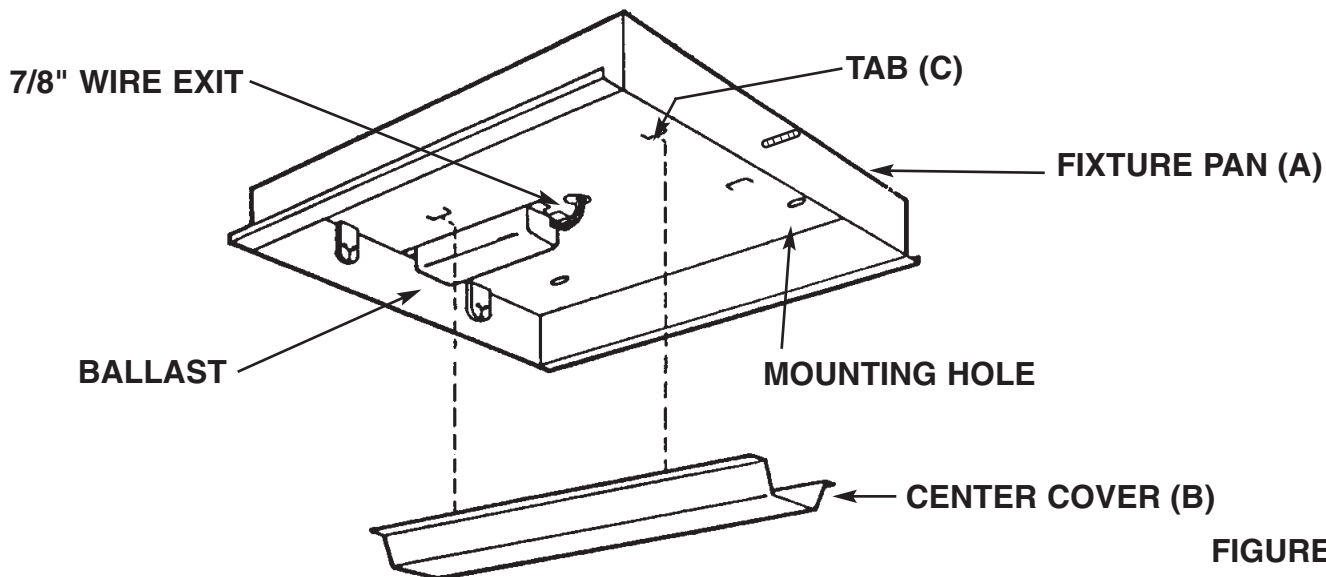


FIGURE 1



**sea gull lighting®**

## Installation And Safety Instruction

**HC-976 082206**

Line art shown may not exactly match the fixture enclosed. However, the installation instructions do apply to this fixture.

Fill In Item Number On Carton And File This Sheet For Fixture Reference. ITEM# \_\_\_\_\_

**IF SUPPLY WIRES ARE LOCATED WITHIN 3" OF BALLAST, USE WIRE RATED FOR AT LEAST 90°C**

**STEP 1:**

Determine exact location on ceiling for fixture placement.

**STEP 2:**

Feed the black and white ballast wires through the 7/8" wire exit hole of the fixture pan (A).

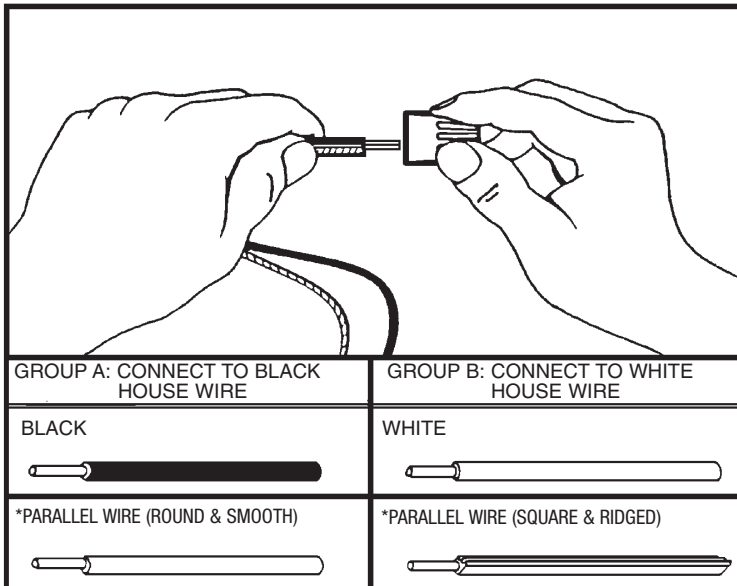
**STEP 3:**

Mount fixture to ceiling. When mounting to drywall use molly bolts. When mounting to ceiling joists use 1 1/4" screws. (recommended)

**STEP 4:**

**WIRING:**

Take note of the color of the wire(s) on your fixture. Identify which group your fixture wire(s) falls into and connect the wires according to the directions below:



\*NOTE: When parallel wire is used, the tracer wire is square shaped or ridged, and the less tracer wire is round in shape or smooth. (Seen best when viewed from wire end.) To separate wires, grasp the ends of each wire and pull apart.

- A. Place black wire from fixture evenly against black wire from the outlet box and twist together the bare parts of the metal.
- B. Fit a wire connector (not supplied) over the twisted wires and screw the connector clockwise until you feel a firm connection.
- C. Try gently to pull the connector off the wire. If you can pull the connector off, carefully re-do steps A and B, as above, and check again for a firm connection.
- D. Connect the white wire from the fixture to the white wire from the outlet box in the same manner.

**STEP 5:**

**GROUNDING INSTRUCTIONS:** The green grounding screw is to be inserted into the hole with two raised dimples provided on the fixture pan. Wrap the ground wire from the fixture (if supplied) and the ground wire from the outlet box (bare metal or green insulated wire) around the green grounding screw on the fixture pan. If uninsulated wire is on the chassis, connect the ground wire from the fixture (if supplied) and the outlet box to it using a small wire connector (not supplied).

NOTE: Underwriters Laboratories (U.L.) does not require all fixtures to have ground wires. These fixtures still meet all U.L. specifications. The listing mark of Underwriters on the product identifies products manufactured under its listing and Follow-Up Service Programs.

**NEVER CONNECT GROUND WIRE TO BLACK OR WHITE POWER SUPPLY WIRES.**

**FINAL ASSEMBLY**

**Make sure no bare wires can be seen outside wire connectors.**

**STEP 1:**

Install center cover (B) over fixture by squeezing center cover (B) together and insert under tabs (C).

**STEP 2:**

Install lamps.

**STEP 3:**

Raise diffuser to fixture pan (A) and slide diffuser to meet up with end cap (D).

**STEP 4:**

Install retaining end cap (D) and secure with cap nut (E).

NOTE: IN ORDER FOR THIS LIGHTING FIXTURE TO OPERATE PROPERLY, THE BUILDING'S ELECTRICAL SYSTEM MUST BE GROUNDED. IF YOU ARE UNCLEAR AS HOW TO PROCEED, CONSULT A QUALIFIED ELECTRICIAN.

**CLEANING**

To clean, wipe fixture body with a soft cloth. Clean glass with a mild soap. Do not use abrasive materials such as scouring pads, powders, steel wool, or abrasive paper.

**ORDERING PARTS**

Keep this sheet for future reference, and in case you need to order replacement parts. All parts for this fixture can be ordered from place of purchase. Be sure to use exact wording from illustration when ordering parts.