

INSTALLATION AND SAFETY INSTRUCTIONS

INSTRUCTIONS FOR INSTALLATION OF THE AMBIANCE® TRANSFORMER

WARNING: Be sure the electricity to the wires you are working on is shut off; either the fuse removed or the circuit breaker off.

For this transformer to operate the wattage load must be a minimum of 60w, but must not exceed 150w.

FOR PROPER OPERATION OF AN ELECTRONIC TRANSFORMER, THE WATTAGE LOAD MUST FALL WITHIN THE SPECIFIED RANGE. IF THE LOAD DOES NOT FALL WITHIN THIS RANGE, THE TRANSFORMER MAY MALFUNCTION OR LAMPS MIGHT FLICKER.

TRANSFORMER INSTALLATION

Select the desired location to mount the transformer (A) (not in contact with insulation & away from oven or any other source of intense heat). Align the mounting tab (B) holes in the transformer (A). Using the two screws (provided), fasten the transformer to the mounting surface. Remove the cover plate (C) from the transformer body. Identify the two terminals for the line voltage (120V) and the low voltage (12V) side. This is identified from both the cover plate (C) and the transformer label (D).

INPUT / SUPPLY POWER CONNECTIONS (120vac)

Connect the black (or hot, 120vac) conductor to the colored (black or copper colored) terminal and tighten screw. Connect the neutral (or common 120vac) conductor to the other 120vac terminal and tighten the 120V terminal screw. NOTE: No need for grounding conductor.

NEVER CONNECT GROUND WIRE TO BLACK OR WHITE POWER SUPPLY WIRES.

LOW VOLTAGE OUTPUT CONNECTIONS (12vac)

Connect the low voltage cable to the two terminals and tighten the 12V terminal screw. NOTE: The output (12V) terminal blocks will function with up to 2 (max) Ambiance® cables. Be sure to maintain proper polarity if using 2 output cables.

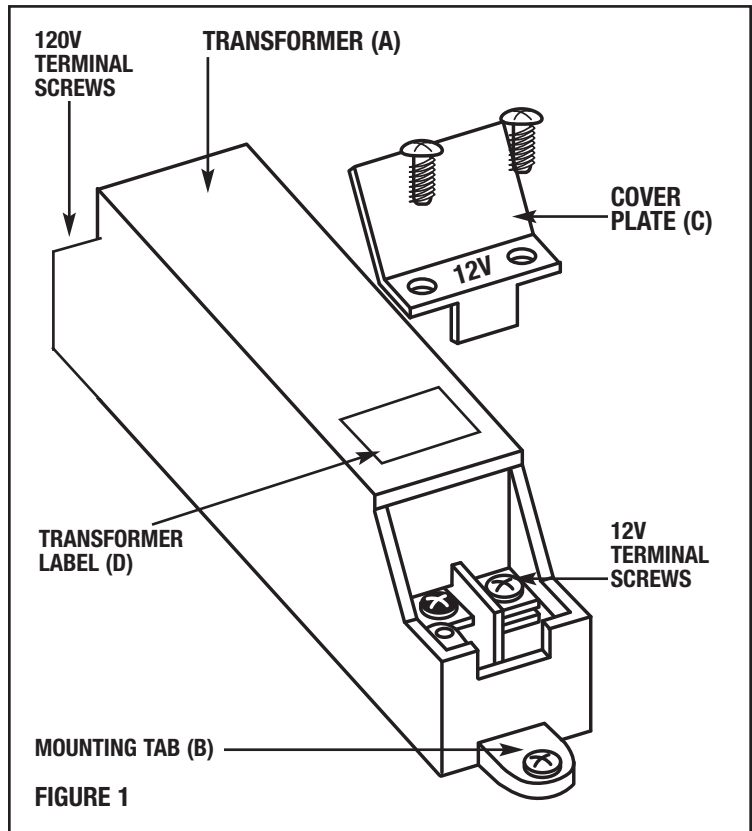
FINAL ASSEMBLY

Make sure the input (120V) connections will not come in contact with the low voltage (12V) connections.

After tightening the connections, re-install the cover plates (C) and make sure that the 120V and 12V marking on the cover plate (C) corresponds to the transformer label (D).

To control transformer, install ON/OFF switch or good quality low voltage electronic dimmer on the 120V side of transformer. The low voltage Ambiance® cable from the transformer to the point where the first socket will be installed, must be enclosed in the 9435 track with 9439 cover.

Attach the track to all surfaces with screws, nails, staples or double face tape (not furnished) where cable will run, mitering the track for right or left angles or wall to shelf surfaces. **DO NOT NAIL OR SCREW THROUGH CABLE TO ATTACH TO A SURFACE.** Use 9430 sleeving to cover wire when going through holes in combustible materials, or notch the cabinet wall and run track from cabinet to cabinet. Pull



cable starting at transformer, through all holes and snap cable into track.

NOTE: As with all electronic transformers, there is a potential for Radio Frequency Interference (R.F.I.). To reduce R.F.I., rotate the electronic transformer in relation to the input line, or switch to a magnetic transformer



HC-667

043008

www.SeaGullLighting.com

INSTALLATION AND SAFETY INSTRUCTIONS (CON'T) HC-667

INSIDE CABINET INSTALLATION

1. Drill 1/2" diameter hole or notch surfaces where cable will be running through shelving or cabinet partition.
NOTE: Low Voltage Ambiance Cable must be covered in Sea Gull Lighting Sleeving (#9430) or track and cover (#9435 & #9439).
2. Install lampholders (#9427 & #9428 etc.), space lampholder no closer than 6" center to center.
3. Do not install lampholder closer than 1 1/2" to closed ends (wall surfaces, partitions etc.).
4. Do not install more than 20 watts per cubic foot of cabinet air space.
5. Be sure not to decrease the free air space inside the cabinet.

Note: A MINIMUM AIRSPACE OF 6" MUST SURROUND ALL SIDES OF EACH TRANSFORMER (12 OF AIRSPACE MUST SEPARATE 2 TRANSFORMERS)

Note: To minimize noticeable voltage drop, do not allow more than 10ft. between the electronic transformer and the last light.

