

IMPORTANT SAFETY INSTRUCTIONS

- Be sure the electricity to the system you are working on is turned off; either the fuse removed or the circuit breaker set at off.
- Energy Star Qualified - This recessed can is Energy Star Qualified when installed with one of the certified trims and per the manufacturer's safety instructions and national and local codes.
- Title 24 - This recessed can complies with California Title 24 zero clearance insulation cover and airtight requirements when installed with one of the manufacturer's certified airtight (AT) trims and installed per the manufacturer's safety instructions and national and local codes. This recessed can is rated for direct insulation cover (IC) by Underwriters Laboratory; it has been certified airtight in accordance with ASTM E283, and it is High Efficacy in accordance with Section 150(k) 1 of the California 2005 Building Energy Efficiency Standards.
- Use of other manufacturers components will void warranty, listing and create a potential safety hazard.
- If you are unclear as to how to proceed, contact a qualified electrician.
- You don't need special tools to install this fixture.
- Be sure to follow the steps in the order given.
- Read instructions carefully.
- Save these instructions.

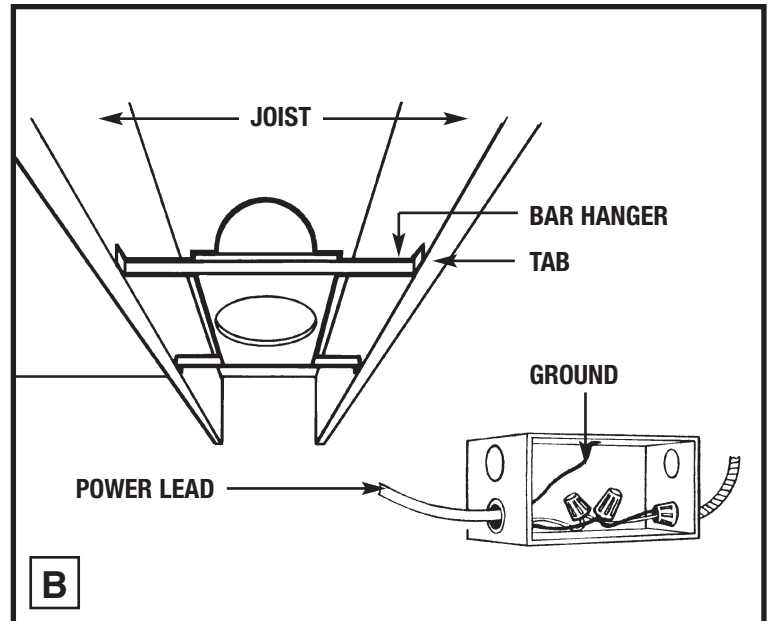
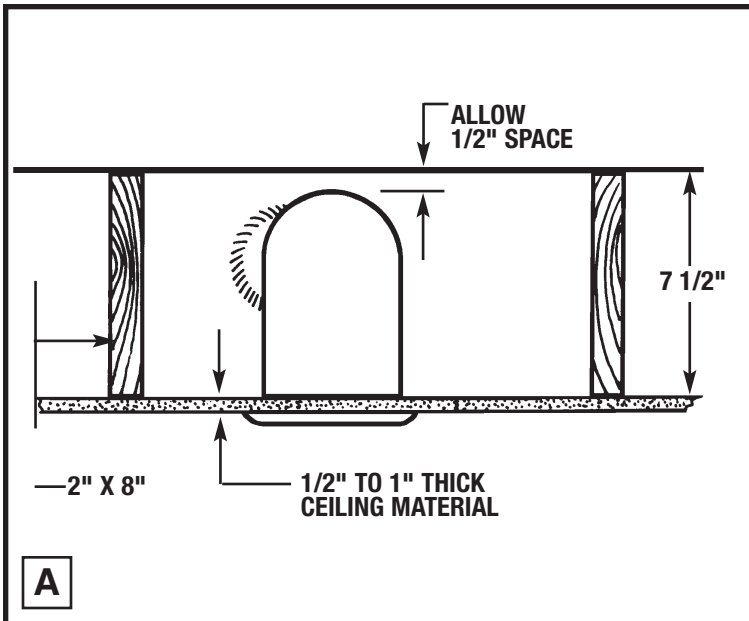
BEFORE YOU BEGIN

Carefully remove the fixture from the carton and check that all parts are included, as shown in figure 1 and 2. Be careful not to misplace any of the screws or parts which are needed to install this fixture.

CAUTION: TO AVOID POSSIBLE ELECTRICAL SHOCK, BE SURE THAT POWER SUPPLY IS TURNED OFF BEFORE INSTALLING OR SERVICING THIS FIXTURE.

INSTALLATION INSTRUCTIONS FOR MODEL 1170LE/1174LE

- 1. Bar Hangers**
Insert bar hangers into the slots on the plaster frame (Drawing 1). Position bar hanger so that nail in tabs point away from housing or point down to ceiling.
- 2. Fastening Fixture to Ceiling**
Joist-type ceilings-Extend bar hangers to fit between joists. Position fixture temporarily by hammering "nail-in" tabs into joist (drawing 2). Then secure permanently with nails. Hangers should be level with bottom of joist. Suspended (T-bar) Ceilings-Extend bar hangers 1" past T-bars, then rest fixture on T-bars. Secure fixture to T-bars with wire.
- 3. To make electrical connections:**
NEVER CONNECT GROUND WIRE TO BLACK OR WHITE POWER SUPPLY WIRES.
 - a. Connect 1/2", flexible conduit (120V supply wires) to junction box with suitable connector.
 - b. Connect black supply wire to black wire in junction box with wire connector.
 - c. Connect white (neutral) supply wire to red or white wire in junction box with wire connector.
 - d. Complete ground connection with bare copper wire or green grounding wire.
 - e. Replace J-Box cover by setting plate base into holder and locking at top with spring clip.
- 4.** Position the housing so that the rim is flush with the finished ceiling opening.
- 5. Cutting a hole**
Locate the center of proposed opening on your tile or ceiling material and mark it. Rounds: Use a compass to draw a circle 4 3/8" in diameter around the center point. Cut along the circular line. After cutting openings, attach ceiling material to joists or place on T-Bars (Housings may be adjusted "up" and "down" as desired to bring the bottom edge of housing level with bottom surface of ceiling material. To complete the installation, install recommended lamp and attach airtight trim.



INSTALLATION INSTRUCTIONS FOR RECESSED COMPACT FLUORESCENT TRIMS

Certified Trim kits: 1152, 1153, 1156, 1162, 1162AT, 11091AT, and 11092AT.

Install trim by one of the following methods:

TORSION SPRINGS: Squeeze the arms together and insert them into the slotted tabs on the inside of the housing. Push upward fully so springs will hold trim in place.

COIL SPRINGS: You must bend the slotted tabs back up out of the way (just push upward with finger). Then hook the coil springs into the slots cut into the slots on the socket plate.

PRESSURE SPRINGS: Bend slotted tabs up and insert trim into housing. Push upward fully and pressure springs will hold trim in place.

TO INSTALL LAMPS: Select proper lamp (see lamp maximum wattage label in housing). Do not exceed maximum wattage lamp shown for each trim.

FOR EYEBALL TRIMS: Before installing trim, remove socket plate from housing by loosening wing nut. Unfasten socket from socket plate and snap into hole provided in top of trim.

CAUTION!
THE FOLLOWING RULES MUST BE ADHERED TO WHEN INSTALLING LIGHT FIXTURES. FAILURE TO COMPLY WITH THESE REQUIREMENTS COULD LEAD TO AN ELECTRICAL SHOCK OR FIRE WHICH COULD BE INJURIOUS OR EVEN FATAL.

MAKE CERTAIN:

- 1) TO DISCONNECT POWER AT MAIN FUSE BOX BEFORE INSTALLING FIXTURE.
- 2) THE GROUND WIRE (BARE OR GREEN INSULATED WIRE) IS NOT CONNECTED TO CURRENT CARRYING SUPPLY WIRES.
- 3) NO BARE WIRES ARE EXPOSED OUTSIDE OF CONNECTORS WHEN CONNECTING CURRENT CARRYING FIXTURE WIRES TO CURRENT CARRYING HOUSE WIRES.
- 4) THE INSULATION ON FIXTURE WIRES HAS NOT BEEN DAMAGED DURING INSTALLATION.
- 5) NO ROUGH OR SHARP EDGES OF ANY SURFACE ARE IN CONTACT WITH WIRES.
- 6) FIXTURE SUPPLY WIRES ARE CONNECTED TO PROPER HOUSE SUPPLY WIRES.
- 7) TO USE LIGHT BULBS WITH WATTAGES NO GREATER THAN SPECIFIED FOR THE FIXTURE.

Keep this sheet for future reference, and in case you need to order replacement parts. Parts for this fixture can be ordered from place of purchase. Be sure to use exact wording from illustration when ordering parts.

BALLAST REPLACEMENT

TURN POWER OFF.

- Remove trim and lamp.
- Use applicable method to drop recessed can from housing.
- Carefully reach into housing and undo latch of ballast compartment.
- Remove all wiring connections and replace ballast.