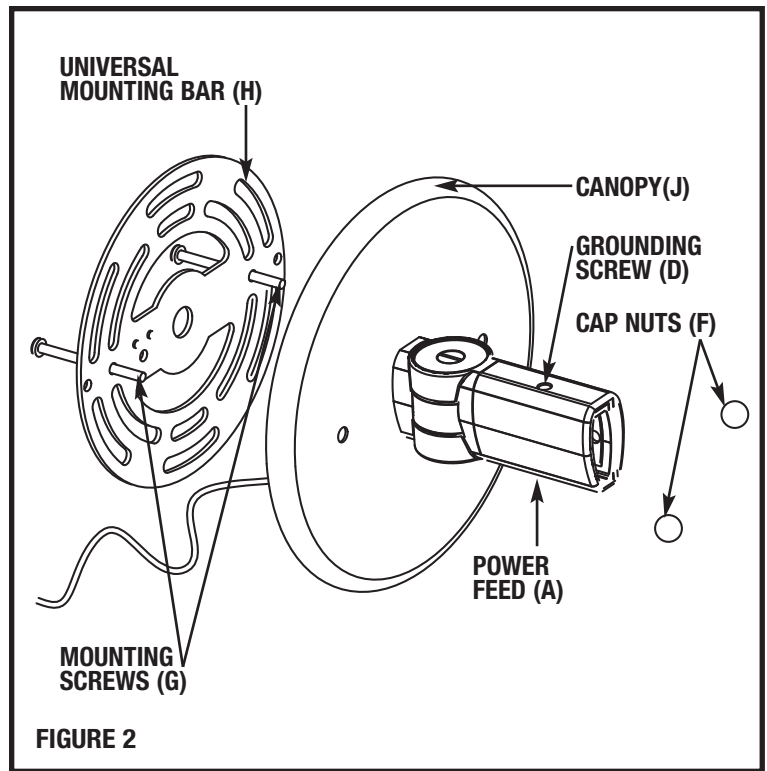
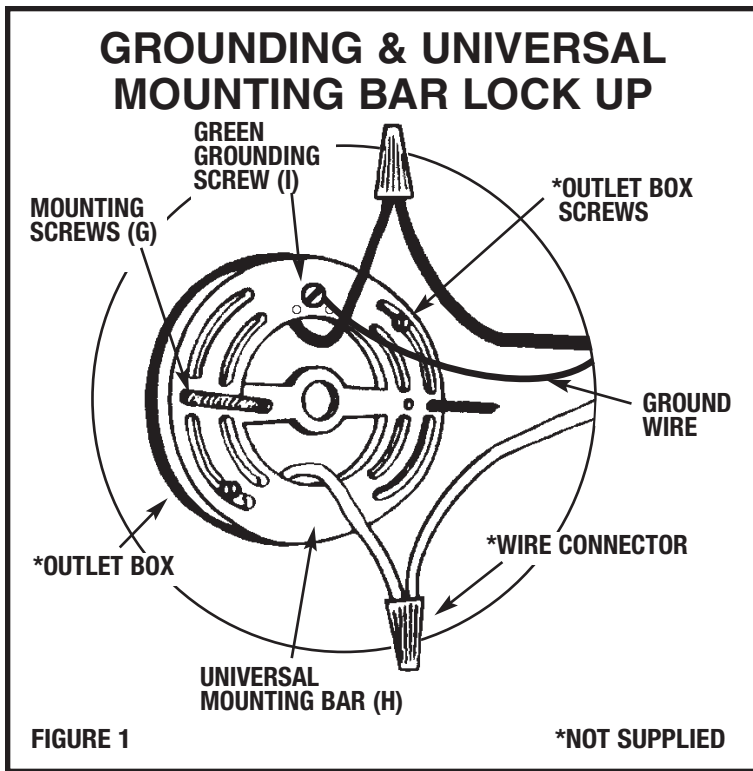


# INSTALLATION AND SAFETY INSTRUCTIONS



## IMPORTANT SAFETY INSTRUCTIONS

- Be sure the electricity to the system you are working on is turned off; either the fuse removed or the circuit breaker set at off.
- If you are unclear as to how to proceed, contact a qualified electrician.
- For use with the 120V Transitions rail series by Sea Gull Lighting.
- Use of other manufacturers components will void warranty, listing, and create a potential safety hazard.
- Minimum distance from the front of the lamp to combustible surfaces is 8".
- Be sure to install the rail system where it can not be shorted out by conductive materials.
- Make sure all connections are tight.
- Risk of fire. Keep away from combustible materials.
- Save these instructions.



**AMBIANCE®**  
LIGHTING SYSTEMS

**LR-141**

011408

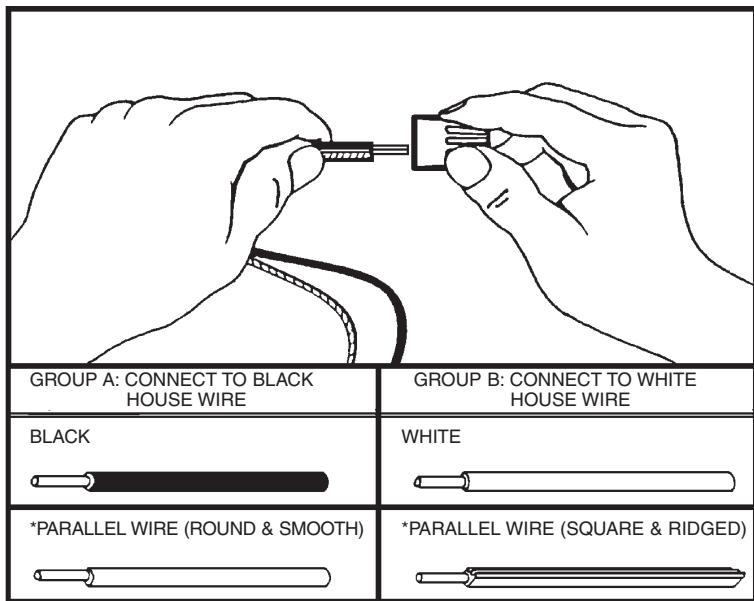
**ASSEMBLY — REFER TO FIGURE 1** **LR-141**

**STEP 1:**

Place universal mounting bar (H) against outlet box (not supplied) and secure in place using outlet box screws (not supplied). Be sure the mounting screws (G) are perfectly horizontal so power feed hangs straight.

**STEP 2:**

A. Take note of the color of the wire(s) on your fixture. Identify which group your fixture wire(s) falls into and connect the wires according to the directions below:



\*NOTE: When parallel wire is used, the tracer wire is square shaped or ridged, and the less tracer wire is round in shape or smooth. (Seen best when viewed from wire end.) To separate wires, grasp the ends of each wire and pull apart.

B. Take your fixture wire(s) from group A and place evenly against the black wire from the outlet box. **Do Not** twist wires together before using wire connectors.

C. Fit a wire connector (not supplied) over the wires and thread the connector clockwise until you feel a firm resistance.

D. Gently try to remove the wire from the connector. If you can remove the wires, carefully re-do steps B and C, as above, and check again for a firm connection.

E. Connect the fixture wire from group B to the white wire from the outlet box in the same manner.

**STEP 3:**

**GROUNDING INSTRUCTIONS:** The green grounding screw (I) is to be inserted into the hole with two raised dimples provided on the universal mounting bar (H). Wrap the ground wire from the fixture (if supplied) and the ground wire from the outlet box (bare metal or green insulated wire) around the green grounding screw (I) on the universal mounting bar (H) if uninsulated wire is on the universal mounting bar (H), connect the ground wire from the fixture (if supplied) and the outlet box to it using a small wire connector (not supplied).

**NEVER CONNECT GROUND WIRE TO BLACK OR WHITE POWER SUPPLY WIRES.**

**STEP 4:**

Make sure no bare wires can be seen outside wire connectors.

**STEP 5:**

After wires are connected, tuck them carefully inside the outlet box. Position canopy (J) over mounting screws (G) and secure in place by threading cap nuts (F) onto mounting screws (G).

**FINAL INSTALLATION — REFER TO FIGURE 2**

**RAIL FLEXIBLE WALL POWER FEED CANOPY**

**STEP 1:**

Insert rail fully into power feed (A) making sure contacts on the power feed (A) are aligned with conductors on rail.

**STEP 2:**

Tighten ground screw (D) on top of power feed (A) to the rail with a phillips head screw driver.