

INSTALLATION AND SAFETY INSTRUCTIONS

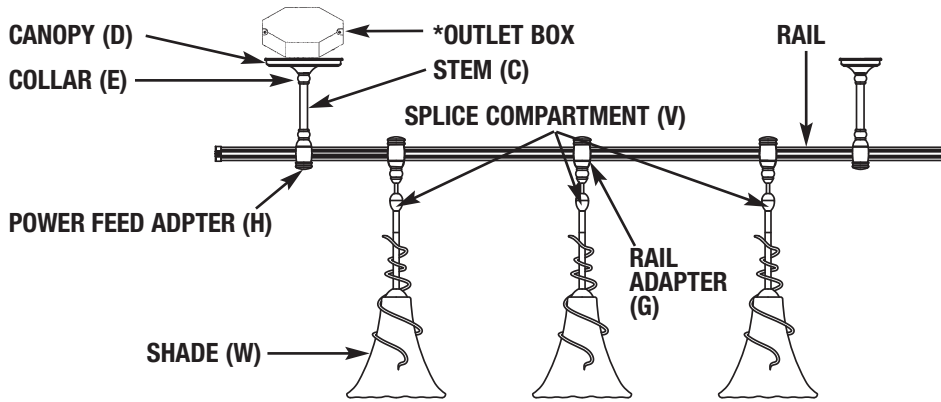


FIGURE 1

IMPORTANT SAFETY INSTRUCTIONS

- Be sure the electricity to the system you are working on is turned off; either the fuse removed or the circuit breaker set at off.
- Use of other manufacturers components will void warranty, listing and create a potential safety hazard.
- If you are unclear as to how to proceed, contact a qualified electrician.
- Minimum distance from the front of the lamp to combustible surfaces is 8".
- Make sure all connections are tight.
- Dimming halogen lamps greatly reduces lamp life.
- Do not install this track in damp or wet locations.
- Do not install any part of a track system less than 5 feet above the floor.
- Disconnect electrical power before adding to or changing the configuration of the rail.
- Do not attempt to energize anything other than lighting rail luminaries on the rail. To reduce the risk of fire and electric shock, do not attempt to connect power tools, extension cords, appliances, and the like to the track.
- Do not connect a rail to more than one branch circuit. Although the rail lighting system may seem to operate acceptably, a dangerous overload of the neutral may occur and result in a risk of fire.
- To reduce the risk of FIRE or INJURY TO PERSONS: Turn off and allow to cool before replacing lamp.
- Lamp gets HOT quickly! Contact switch only when turning on.
- Do not touch hot lens, guard, or enclosure.
- Do not touch the lamp at any time. Use a soft cloth. Oil from skin may damage lamp.
- Do not operate the luminaire fitting with a missing or damaged shield.
- Save these instructions.

TO ADD OPTIONAL STEM EXTENSIONS – POWER FEED

1. Unthread power feed adapter (H) from stem (C).
2. Run wires from power feed adapter (H) through stem extension (not supplied).
3. Thread stem extension into power feed adapter (H).
4. Thread stem (C) into stem extension.

POWER FEED INSTALLATION – FIGURE 2

1. Unthread collar (E). Carefully slide collar (E) and canopy (D) to bottom of stem (C).
2. Make wire connections from power feed to house supply wires with wire nuts (supplied) or other UL recognized wiring device. White to white, black to black. Connect house ground wire to green grounding screw located on universal mounting bar (A).
3. Secure universal mounting bar (A) to outlet box using outlet box screws (not provided). Tilt canopy (D) in order to better access screws.
4. Slide canopy (D) over outlet box and thread collar (E) to nipple (Y) to secure. Unthread cap (F) from power feed adapter (H).

GROUNDING AND UNIVERSAL MOUNTING BAR LOCK UP FOR POWER FEED

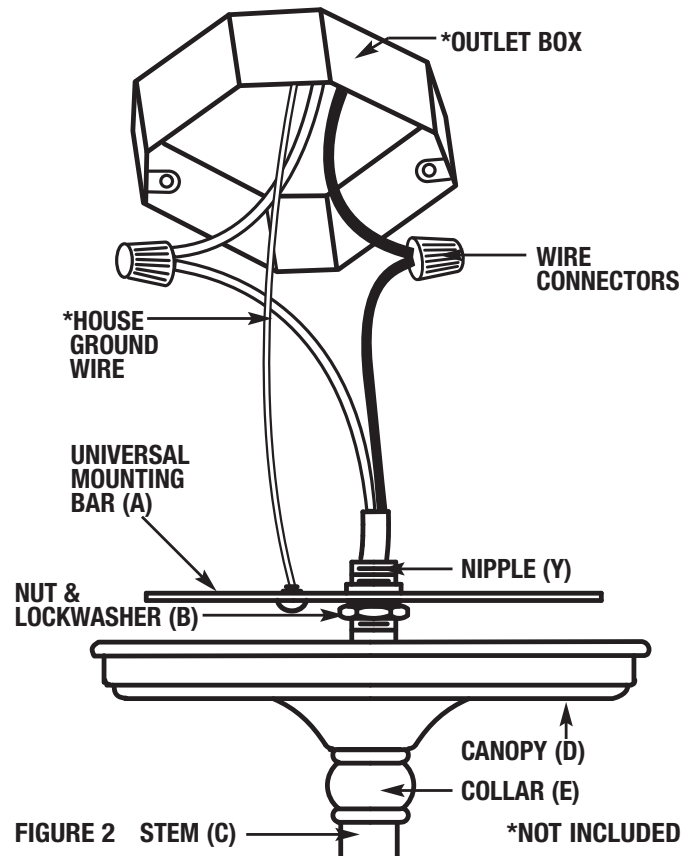


FIGURE 2



AMBIANCE
LIGHTING SYSTEMS

LR-103

011808

www.SeaGullLighting.com

ADDING OPTIONAL STEM EXTENSIONS – SUPPORT ADAPTER LR-103

1. Unthread rail adapter (J) from support stem (K).
2. Thread rail support extension (not supplied) into rail adapter (J).
3. Thread support stem (K) into rail support extension.

RAIL SUPPORT INSTALLATION – FIGURE 3

1. Measure distance from power feed to support adapter (36" max).
2. In drywall, drill $\frac{5}{8}$ " hole at desired location for support adapter toggle bolt screw (M).
3. Insert toggle bolt screw (M) into mounting disc (G). Thread toggle bolt wing (Z) onto toggle bolt screw (M). Insert toggle bolt screw (M) and wing (Z) into drilled hole so mounting disc (G) is flush with the ceiling. Tighten toggle bolt screw (M) until mounting disc (G) is secured to the ceiling. **Note:** When applicable, use other securing method such as a wood screw (not supplied).
4. Thread support base (I) to mounting disc (G) tightly. Thread support stem (K) to mounting disc (G).

INSTALL RAIL ONTO POWER FEED AND SUPPORT (Fig. 4)

NOTE: When bending rail, do not bend rail tighter than a 12" radius.

1. Unthread caps (H) from power feed and support adapters.
2. Install rail into rail adapters so conductors (M) face contacts (J) of power feed (see Fig 4). ***Please make sure contacts (J) fit into rail conductors (M) properly.** **NOTE:** If power feed or support adapters are not able to close around rail, turn rail around so adapter fits properly.
3. Close adapters (H) over rail. Tighten grounding screw on power feed adapter (H) into rail with phillips head screw driver. Thread caps onto adapters.
4. Check rail with a level to insure system has been installed evenly. You may unthread either the power feed or support adapter to adjust the pitch of the rail. Do not unthread more than 1/8".

ASSEMBLING PENDANT/SHORTENING PENDANT

1. Determine length of pendant and shorten cable from the splice compartment (V). Unthread top of splice compartment (V). Set top of splice compartment (V) and strain relief collar at desired location. **NOTE** Strain relief collar is threaded and should be threaded up and down cable. Be sure $\frac{1}{4}$ " of cable jacket is protruding out of strain relief collar. Secure in place by tightening the two set screws.
2. To install shade (W), remove three prongs off of spider (X) by unthreading. Install shade (W) and replace the three prongs onto spider (X) so shade (W) rests on spider (X) evenly.
3. Make connections between socket leads and pendant cable using wire nuts inside the splice compartment (V) (Black to Black/White to White/Ground to Ground). Make sure no wires are left exposed and carefully tuck wire nuts into bottom half of splice compartment (V).
4. Close splice compartment (V) by threading the two halves together.
5. Insert lamp (O) into socket (Q). Thread glass enclosure (N) over lamp (O).

ATTACH PENDANT TO RAIL (Fig. 5)

1. Unthread cap (F) from rail adapter (G).
2. Making sure contacts (J) will align with conductors (M) on rail, set the bottom of the rail adapter (G) to the bottom of the rail and "roll" the adapter up onto the rail.
3. Install fixture to rail by closing hinged side of rail adapter (G) over rail. Thread cap (F) back onto rail adapter (G).

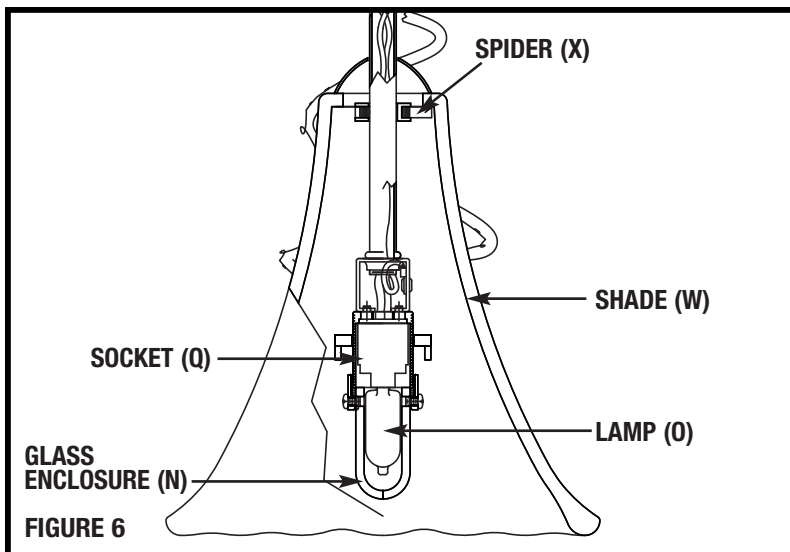


FIGURE 6

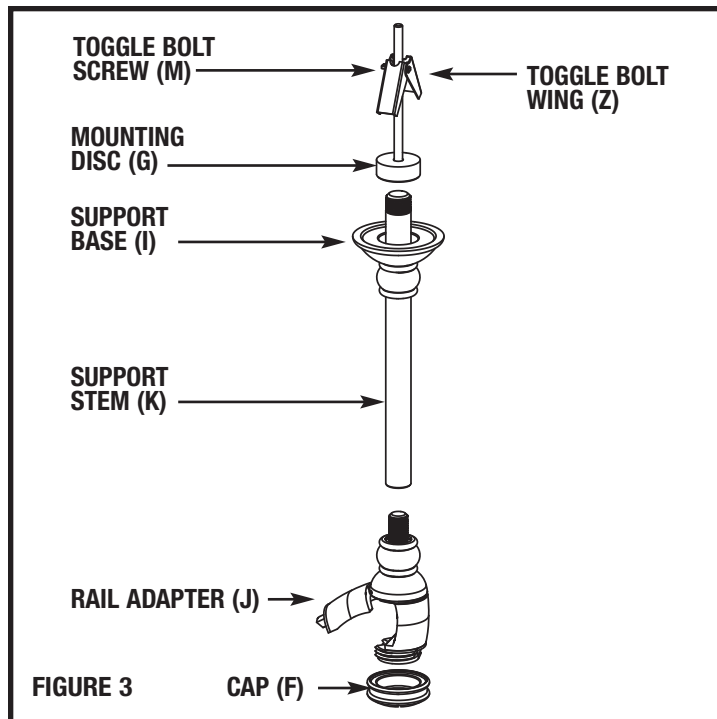


FIGURE 3

POWER FEED / SUPPORT INSTALLATION

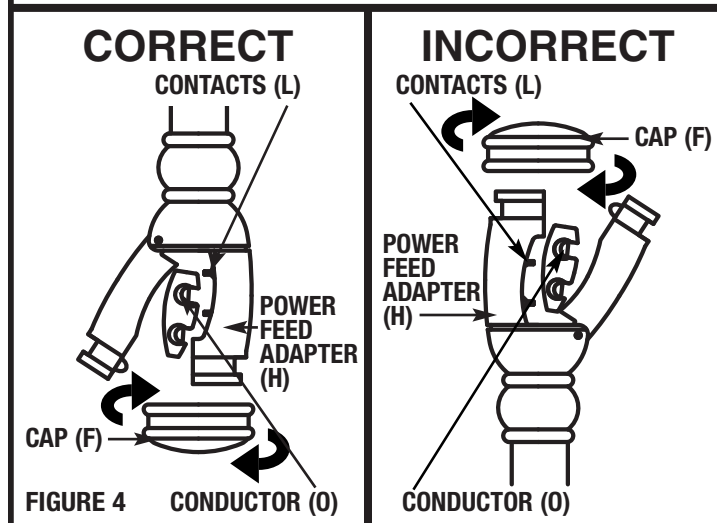


FIGURE 4

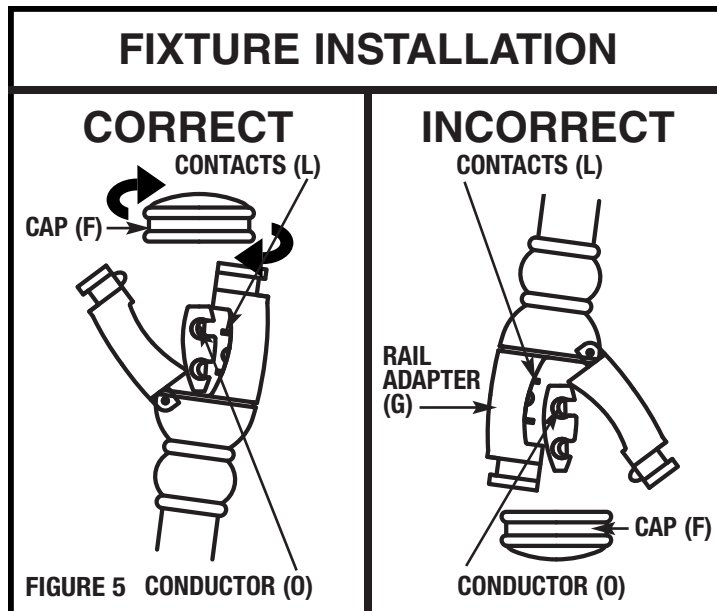


FIGURE 5