

INSTALLATION AND SAFETY INSTRUCTIONS

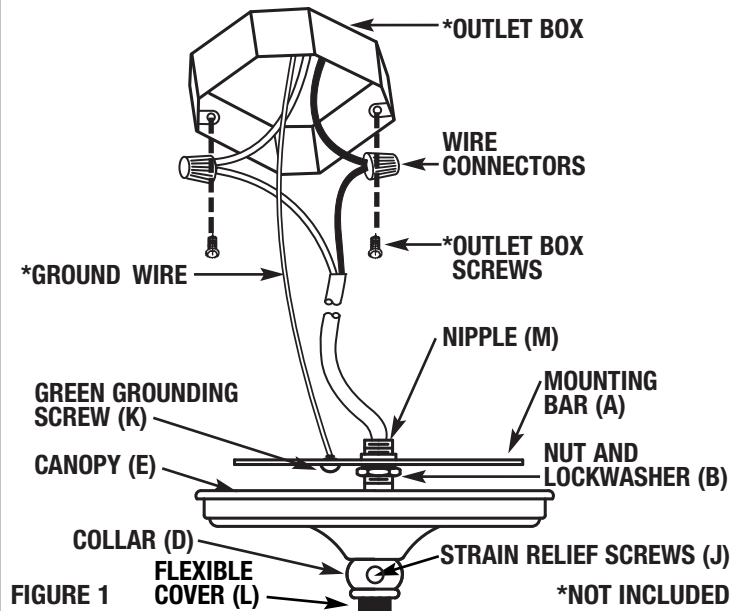
IMPORTANT SAFETY INSTRUCTIONS

- Be sure the electricity to the system you are working on is turned off; either the fuse removed or the circuit breaker set at off.
- If you are unclear as to how to proceed, contact a qualified electrician.
- For use with the 120V Transitions rail series by Sea Gull Lighting.
- Use of other manufacturers components will void warranty, listing, and create a potential safety hazard.
- Contact switch only when turning on.
- Make sure all connections are tight.
- Dimming halogen lamps greatly reduces lamp life.
- When bending rail, do not bend rail tighter than a 12" radius.
- Save these instructions.

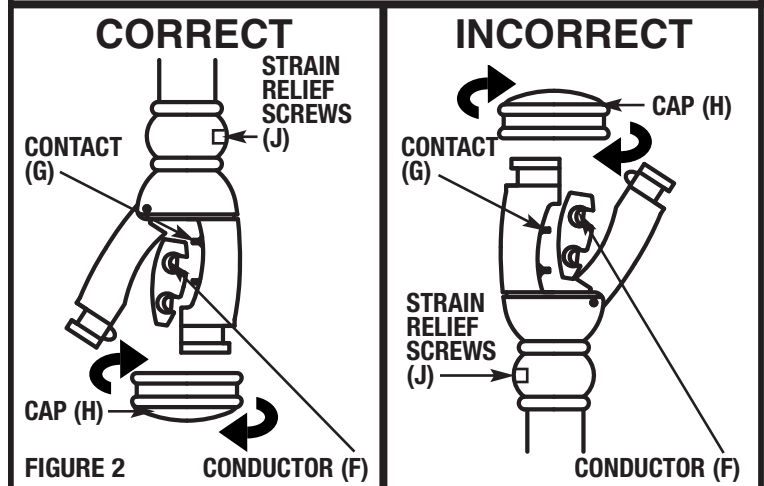
ASSEMBLY

1. Determine desired length of power feed. Use a flat head screwdriver to loosen strain relief screws (J) located on collar (D). Remove mounting bar (A), nut and lockwasher (B), nipple (M), canopy (E), and collar (D) from power feed.
2. Cut unwanted amount of flexible cover (L) and wires. Be sure to leave 5" of wire to allow for electrical connections.
3. Slide collar (D), canopy (E), mounting bar (A), nut and lockwasher (B), and nipple (M) to bottom of power feed.
4. Attach mounting bar (A) to outlet box using outlet box screws (not supplied).
5. Position power feed adapter in the direction that the rail system will run.
6. Make wire connections with wire nuts or other UL recognized wiring device. White power feed wire to white house supply wire. Black power feed wire to black house supply wire. Take fixture ground wire and house ground wire and wrap around the green ground screw (K). Secure by tightening the green grounding screw (K). Make sure no wires are left exposed and carefully tuck wire nuts into outlet box.
7. Slide canopy (E) and collar (D) over outlet box and secure by threading collar (D) to nipple (M).
NOTE: When bending rail, do not bend rail tighter than a 12" radius.
8. Install rail into rail adapters so conductors (F) face contacts (G) of power feed (see Fig 2). ***Please make sure contacts (G) fit into rail conductors (F) properly.**
NOTE: If power feed or support adapters are not able to close around rail, turn rail around so adapter fits properly (see fig. 2).
9. Close hinged side of rail adapter over rail. Use a phillips head screw driver to tighten ground set screw into rail.
10. Replace cap (H) onto rail adapter. Use flat head screwdriver to tighten strain relief screws (J & O) located on collar (D) and right above rail adapter (See figure 2).

GROUNDING AND MOUNTING BAR LOCK UP FOR POWER FEED



POWER FEED / SUPPORT INSTALLATION



AMBIANCE[®]
LIGHTING SYSTEMS

LR-142

011608