

Assembly Instructions For

MR1044 (E) 3/11

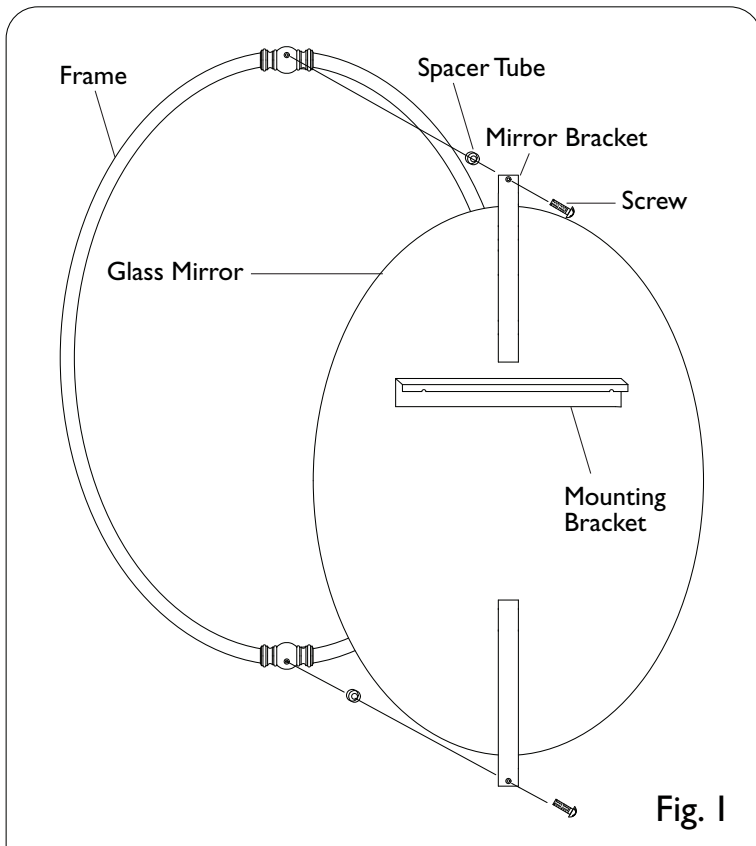


Fig. 1

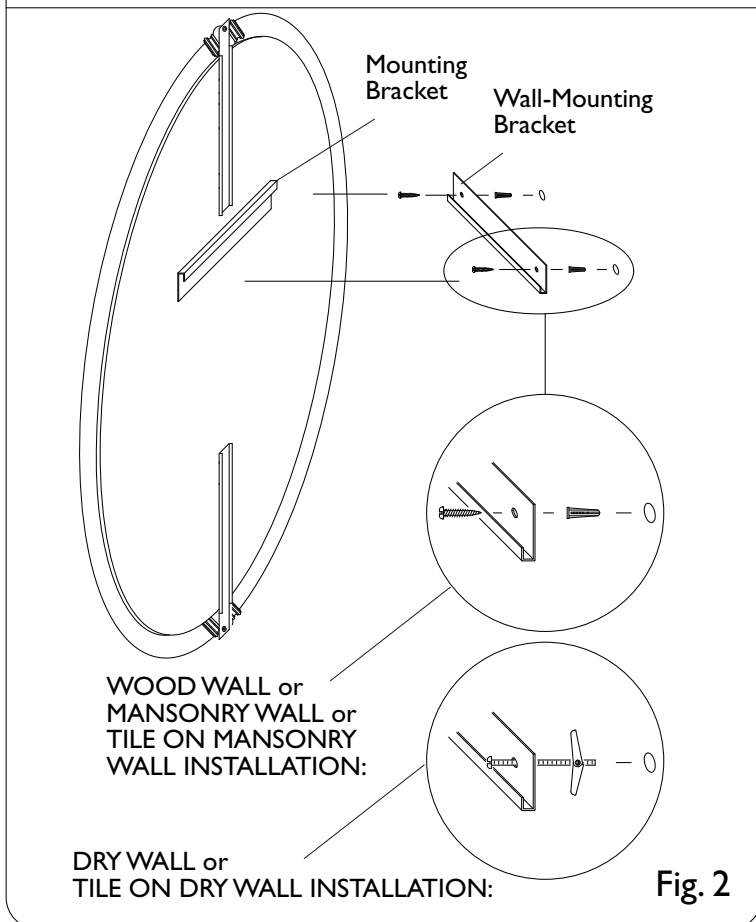


Fig. 2

Carefully unpack and identify all parts before assembly.

1. Assemble mirror (see fig. 1):

A. Lay frame, with screw holes side facing up, on a non-abrasive surface.

B. Gently lay glass mirror, with metal mirror brackets side facing up, on top of frame. Holes in mirror brackets must align with holes in frame.

C. Secure glass mirror onto frame with screw and spacer tube at top and another set at bottom as shown in diagram.

2. Mount onto wall (see fig. 2):

A. Upon deciding location to hang the mirror, test install the wall-mounting bracket onto wall. Note: Wall-mounting bracket must be located at corresponding position with mounting bracket on the mirror. See diagram for correct position of mounting bracket and wall-mounting bracket.

B. Using a pencil, mark onto wall the two holes in wall-mounting bracket. Then remove wall-mounting bracket. Note: Make certain the two marked holes are aligned horizontally to each other. Suggest using a leveler.

C. Dry Wall or Tile on Dry Wall Installation: Pre-drill holes using 3/8" drill bit. (Tile on dry wall installation requires 3/8" masonry drill bit)

Wood Wall Installation: Pre-drill holes using 1/8" drill bit.

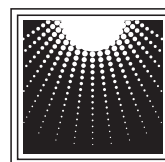
Masonry Wall or Tile on Masonry Wall Installation: Pre drill holes using 3/16" masonry drill bit.

D. Dry Wall or Tile on Dry Wall Installation: Insert machine screws through holes in wall-mounting bracket. Thread butterfly anchors into machine screws as shown in diagram. Pinch together the opposite ends of butterfly anchors and push into predrilled 3/8" holes until anchors spring open inside of wall. While pulling wall-mounting bracket away from wall, tighten screws using a screw driver.

Wood Wall Installation: Insert sheet metal screws thru two holes in wall-mounting bracket. Fasten screws directly into predrilled 1/8" holes.

Masonry or Tile on Masonry Wall Installation: Insert plastic anchors into pre-drilled 3/16" holes. Insert sheet metal screws through two holes in wall-mounting bracket. Fasten screws into plastic anchors.

E. Mount mirror by hooking onto the installed wall-mounting bracket.



MURRAY
FEISS

Generation Brands™