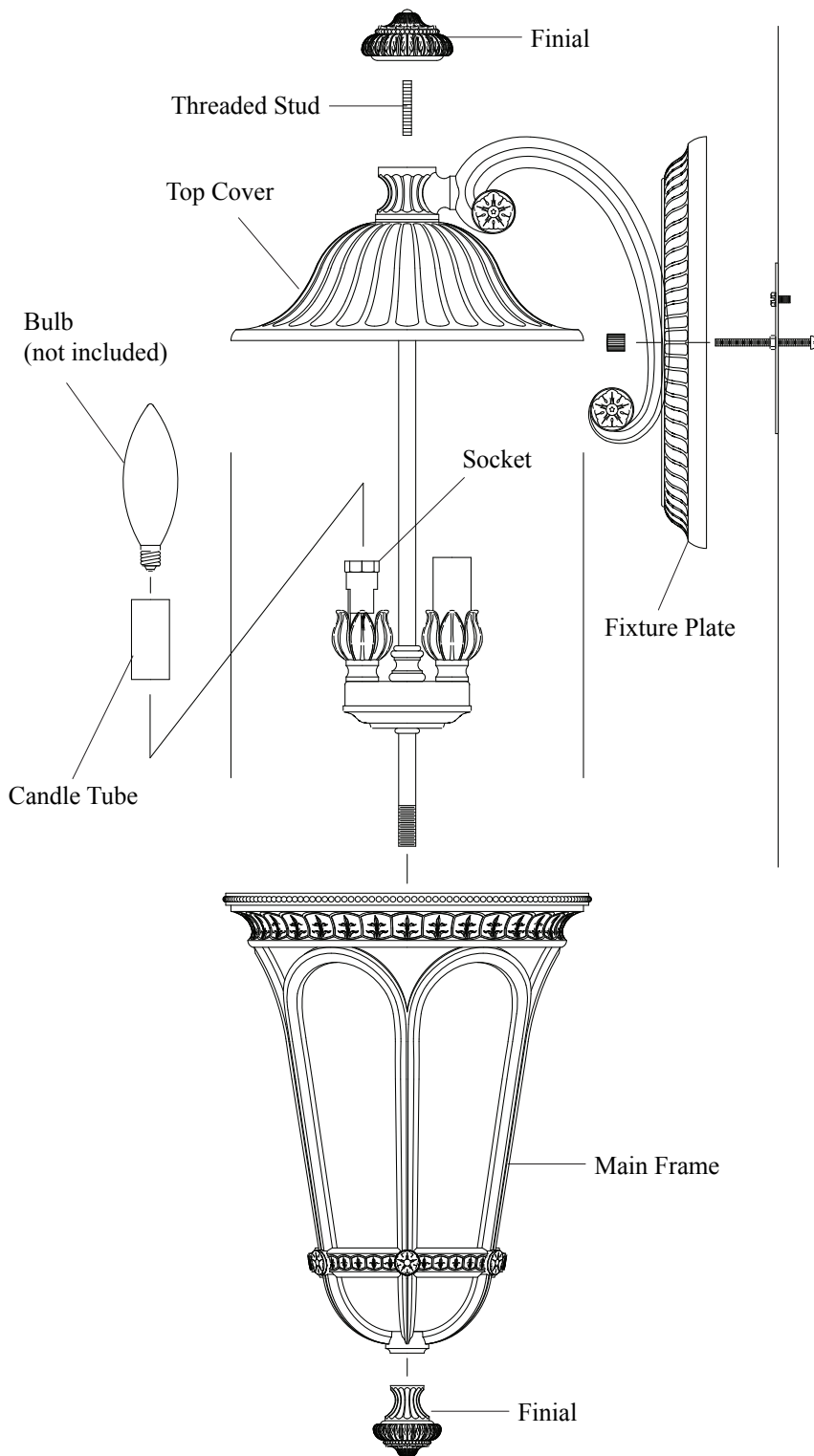


# ASSEMBLY INSTRUCTIONS FOR OL5601, OL5603, OL5604 (E) 4/07



**IMPORTANT**  
**TURN OFF THE POWER AT THE MAIN FUSE**  
**OR CIRCUIT BREAKER BOX**  
**BEFORE STARTING INSTALLATION**

**Carefully unpack and identify all parts**  
**before assembly. Bulb is not included.**

1. Install finial by screwing onto top cover.
2. Follow enclosed "Standard Outdoor mounting Plate installation instructions" for electrical and fixture installation onto wall outlet box.
3. Slip candle cover tube onto sockets.
4. Install light bulb (not included). See relamping label at socket area for type and maximum allowed wattage.
5. Slide main frame up until it checks inside of top cover. Lock them into position with finial.