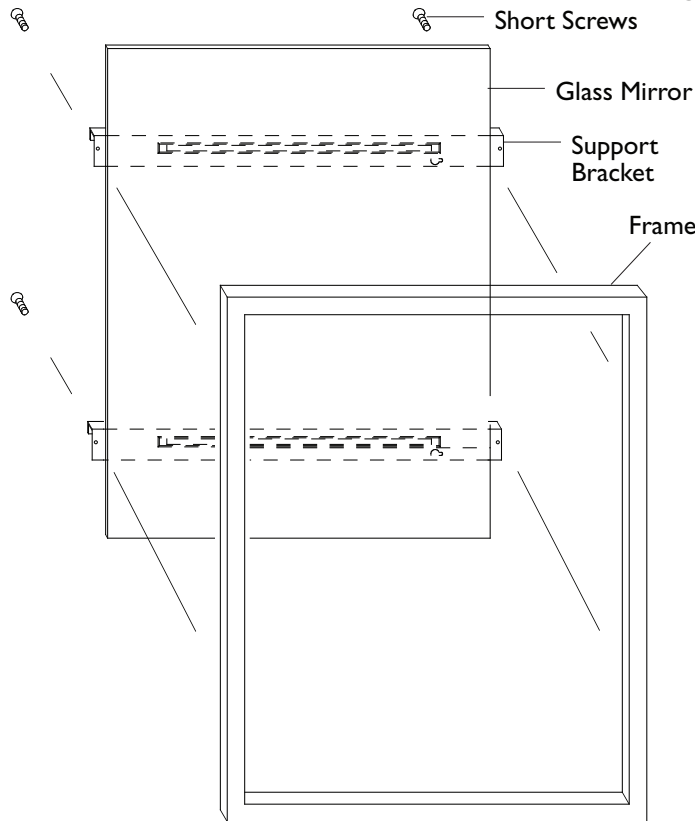


# Assembly Instructions For

# MR1093 (E) 10/08

FIG. 1



Carefully unpack and identify all parts before assembly.

1. Assemble frame and glass mirror (see fig. 1):
  - A. Lay the frame, with screw holes side facing up, on a non-abrasive surface.
  - B. Gently lay glass mirror, with metal support brackets side facing up, on top of frame. Holes in support brackets must align with holes in frame.
  - C. Secure brackets onto frame by fastening with enclosed short screws.

2. Install mounting bracket onto wall (see fig. 2):

A. Hold assembled mirror on desired wall location and lightly mark the location of upper support bracket, which is located at rear of mirror. Place mounting bracket at proper location on marked outline. Suggest using a leveler to make certain the bracket is held at horizontal position. Mark onto wall the two holes in the bracket.

B. Dry wall or Tile on Dry Wall Installation: Pre-drill holes using 3/8" drill bit. (Tile on dry wall installation requires 3/8" masonry drill bit).

Wood Wall Installation: Pre-drill holes using 1/8" drill bit.  
Masonry Wall or Tile on Masonry Wall Installation: Pre drill holes using 1/4" masonry drill bit.

C. Dry Wall or Tile on Dry Wall Installation: Insert machine screws through two holes in mounting bracket. Thread butterfly anchors into machine screws as shown in diagram (fig. 2). Pinch together the ends of butterfly anchors and push into predrilled 3/8" holes until anchors spring open inside of wall. While pulling mounting bracket away from wall, tighten screws with a screw driver.

NOTE: For more secure installation of the product onto a dry wall, we recommend screwing directly onto vertical wood stud/s or horizontal wood brace (horizontal plank in between vertical studs) located behind the wall. Use an electronic stud finder to locate stud or brace. If stud or brace do not exist at desired location, then recommend hiring a qualified contractor to install a wood brace behind the wall.

Wood Wall Installation: Insert sheet metal screws through two holes in mounting bracket. Fasten screws directly into predrilled 1/8" holes.

Masonry or Tile on Masonry Wall Installation: Insert plastic anchors into pre-drilled 1/4" holes. Insert sheet metal screws through two holes in mounting bracket. Fasten screws into plastic anchors.

3. Install the assembled mirror by hooking onto the installed mounting bracket. Before hooking, note correct position of support bracket in fig. 3.

FIG. 2

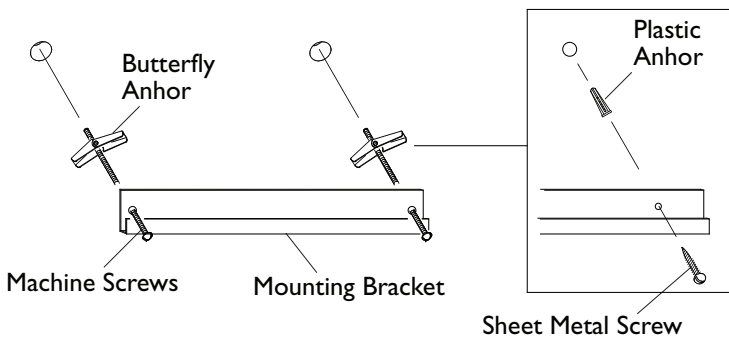
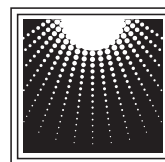
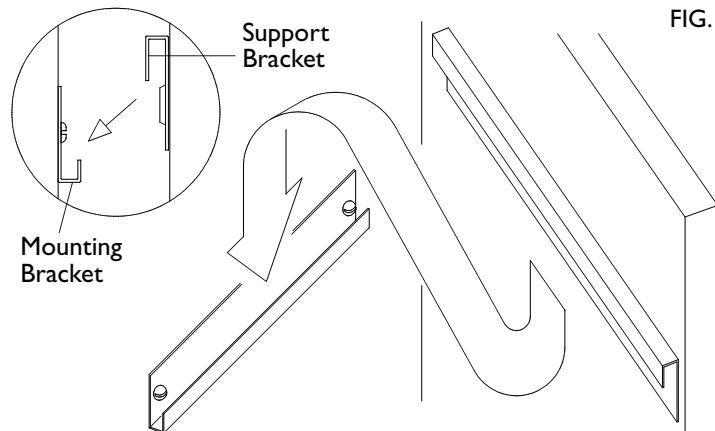


FIG. 3



**MURRAY**  
**F E I S S**  
Generation Brands™