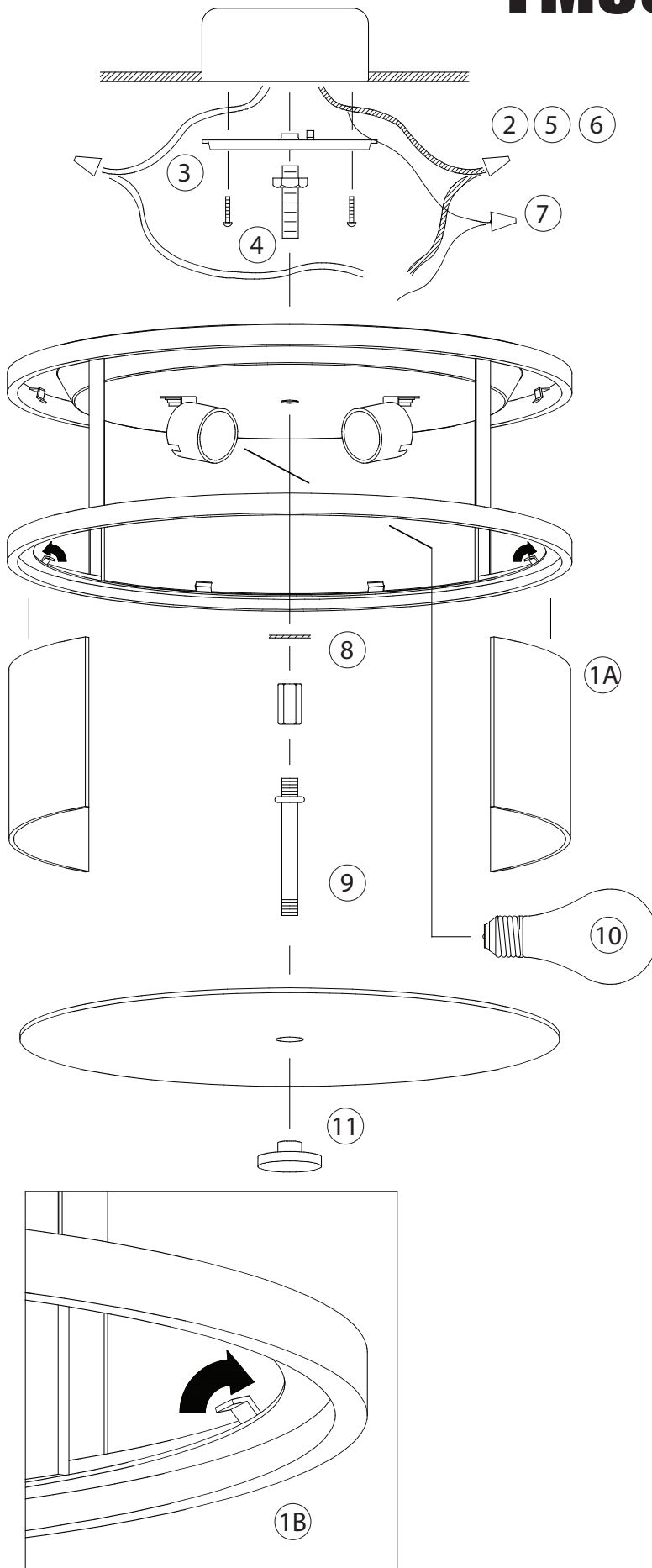


Assembly Instructions For

FM334 (E) 5/09



IMPORTANT TURN OFF THE POWER AT THE MAIN FUSE OR CIRCUIT BREAKER BOX BEFORE STARTING INSTALLATION

Carefully unpack and identify all parts before assembly. Bulb not included.

1. Install glass panels: (see fig. 1)
 - A. Gently grabbing onto a glass panel, slip inside of main frame. Make certain top edge of panel check onto upper tabs located at inside of main frame
 - B. Secure glass panel by bending tabs located at bottom.
 - C. Repeat rest panels.
2. Gently pull supply wires out from ceiling outlet box.
3. Attach mounting strap securely to ceiling outlet box with two machine screws (supplied with outlet box) through slot at each end of mounting strap. Note: mounting strap should be installed with "GND" imprint and/or two dimples facing down.
4. Fasten one hex nut about 3/4" (19 mm) down from one end of threaded pipe. Then screw same end of threaded pipe into center hole in mounting strap. At this point test install the main frame onto ceiling through this threaded pipe and make certain 3/8" (10 mm) of pipe protrude below. If not, then adjust the threaded pipe location by screwing up or down accordingly. Once correct threaded pipe location has been adjusted, remove main frame and tighten hex nut against mounting strap. Make certain not to spin threaded pipe during tightening.
5. Spread the electrical wires so that the black wires are on one side of the outlet box and the white wires are on the other side.
6. Electrical connections:

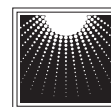
Connect the white wire from the fixture to the white wire of the outlet box.
Connect the black wire from the fixture to the black wire of the outlet box.

NOTE: Black outlet box wire may be red, round & smooth and/or have copper conductor. White outlet box wire may be square & ridged and/or have a silver conductor.
7. Grounding Connection:

Connect fixture ground wire (without insulation) to ground wire from outlet box (usually with green insulation) with wire connector (not provided).

Note: If there is no supply ground wire at outlet box then attach fixture ground wire securely onto green grounding screw located at mounting strap.

IMPORTANT: Never connect ground wire to black or white supply wires (from outlet box).
8. Place main frame through top threaded pipe so that it sits flush against ceiling. Be sure all wires are tucked inside. Secure main frame to ceiling by fastening lock washer and coupler onto top threaded pipe.
Note: Coupler must turn at least 3 times, if it does not you must remove coupler and lengthen threaded pipe accordingly.
9. Install long threaded pipe by screwing into bottom of coupler. Note correct position of center pipe at illustration.
10. Install bulb (not included). See relamping label located at socket area for type and maximum allowed wattage.
11. Slip glass plate through long threaded pipe until it checks inside of main frame. Lock glass plate by fastening finial. IMPORTANT: Do not over tighten.



**MURRAY
FEISS**
Generation Brands™