

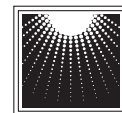
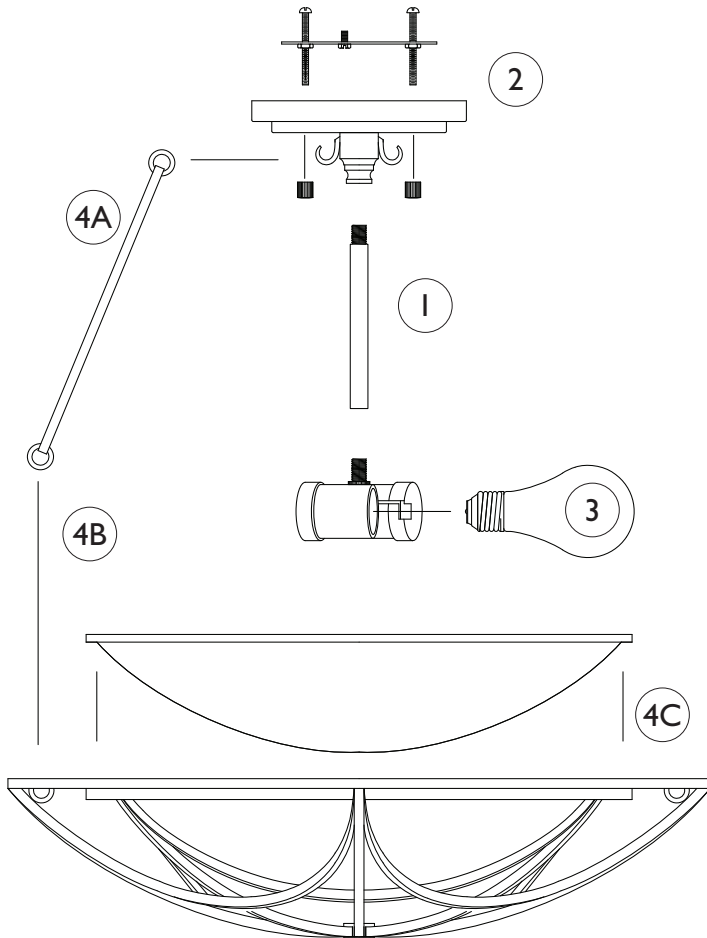
Assembly Instructions For

SF286 (E) 5/10

IMPORTANT
TURN OFF THE POWER AT THE MAIN FUSE OR
CIRCUIT BREAKER BOX
BEFORE STARTING INSTALLATION

Carefully unpack and identify all parts before assembly. Bulbs not included.

1. Install center pipe and socket assembly onto bottom of canopy.
2. Follow enclosed supplement installation instructions for electrical and fixture installation onto house outlet box. If you do not have an outlet box at desired location to attach the fixture then hire a qualified electrician to create one.
3. Install light bulbs (not included). See relamping label at socket area for type and maximum allowed wattage.
4. A. Hook arms onto hooks.
B. Lift main frame and hook onto bottom end of arms.
C. Before hooking onto fourth last arm, insert glass shade inside center of main frame.
D. Finish hooking last arm.



MURRAY
F E I S S

GENERATION
BRANDS™ 