



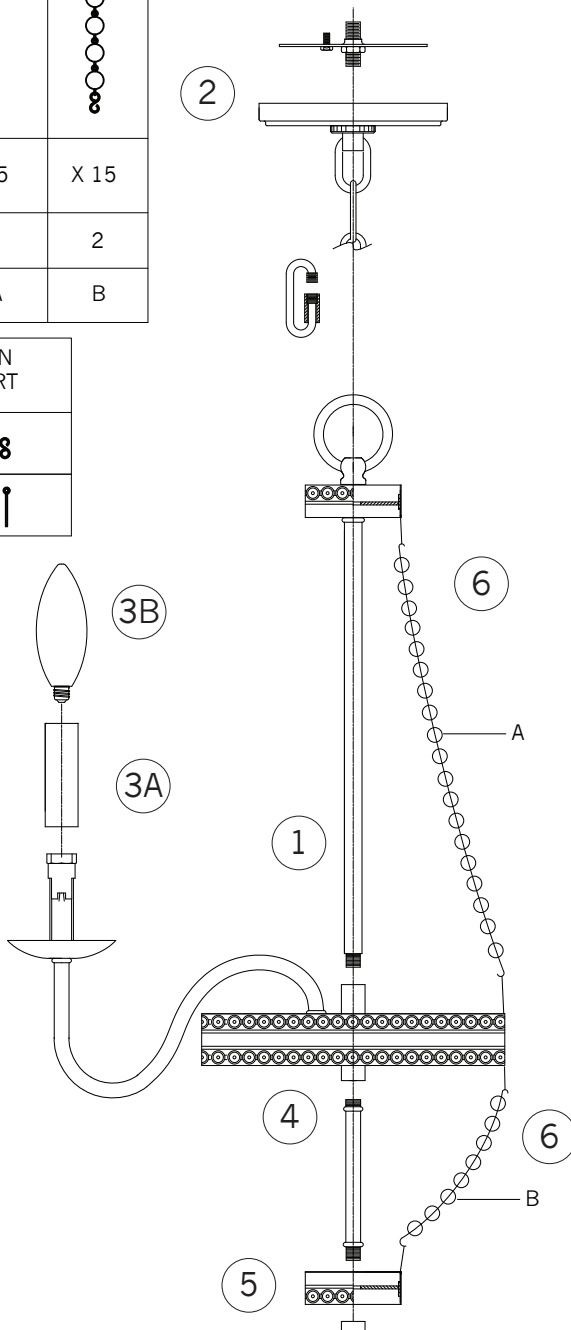


Assembly Instructions For **F2755/3** (E) 5/2012

		
REQUIRED	X 15	X 15
EXTRA	2	2
	A	B

EXTRA PIN QTY	PIN PART
4	
4	



IMPORTANT TURN OFF THE POWER AT THE MAIN FUSE OR CIRCUIT BREAKER BOX BEFORE STARTING INSTALLATION

Carefully unpack and identify all parts before assembly. Bulbs not included.

1. Install the top assembly into the top coupler.
2. Follow enclosed supplement installation instructions for electrical and fixture installation onto house outlet box. If you do not have an outlet box at desired location to attach the fixture then hire a qualified electrician to create one.
3. A. Install the candle tube onto the fitter.
B. Install light bulb (not included). See relamping label at socket area for type and maximum allowed wattage.
4. Install the bottom center pipe onto the bottom coupler.
5. Install bottom assembly onto the bottom center pipe and secure with the finial.
6. Hang all crystal glass parts as shown on drawing.

NOTE: To replace broken crystal or pin, extras are included in hardware bag. Replace by gently bending open pin, remove broken crystal or pin, hook new one, then close back pin. Avoid bending pin into sharp angle.

FEISS®

EST. 1955