

BT7382

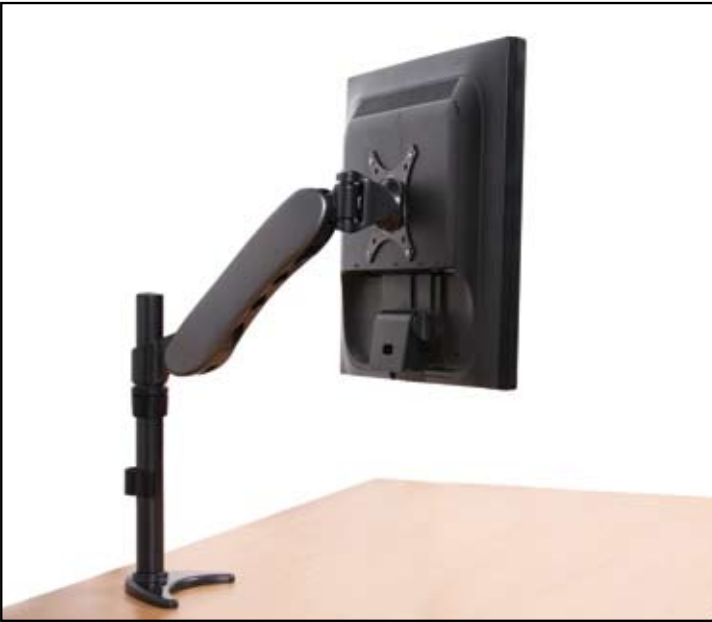
**SINGLE ARM
FULL MOTION
FLAT SCREEN
DESK MOUNT**



Full motion desk mounts allow the position of a desk mounted screen to be regularly adjusted for optimum screen positioning.

The BT7382 features a single full motion arm for easy height, reach and lateral adjustment, together with an easily adjustable tilt and swivel mechanism.

- Designed for screens up to 24" (61cm) / 9kg (20lbs)
- Fits screens with VESA mounting patterns: 75 x 75mm and 100 x 100mm
- Supplied with both a desk clamp and grommet
- Maximum extension: 390mm
- Easy tilt adjustment: +/-40°
- Features two swivel points: 360° at pole and 180° at interface
- Simple installation with all fixings included
- Available in a stylish Graphite Black finish



Supplied with a desk clamp to attach the mount to the rear or side of a desk. The clamp fixing is suitable for desks up to 70mm thick.



The full motion arm allows for tool-less positioning of the screen.

The integrated tension adjustment mechanism ensures the mount will support screens up to 9kg (20lbs).



Also included is a grommet to attach the mount through a desk. The grommet fixing is suitable for desks up to 95mm thick.

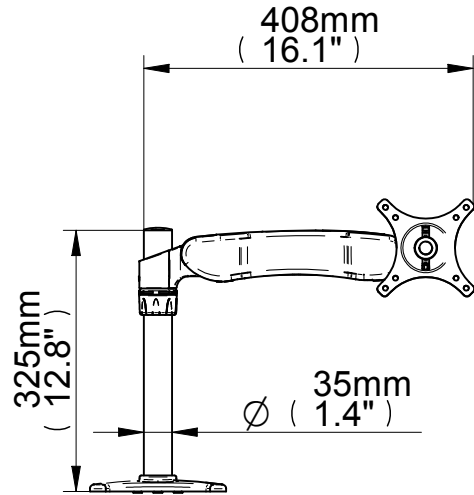
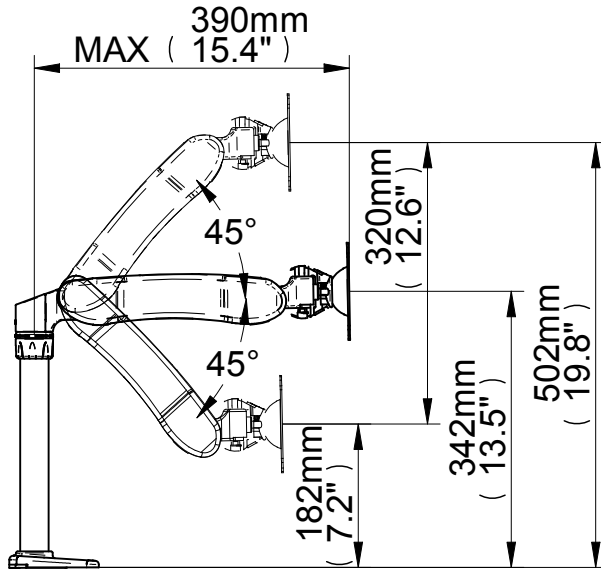


Cable management is integrated into the mount for a clean and tidy installation.

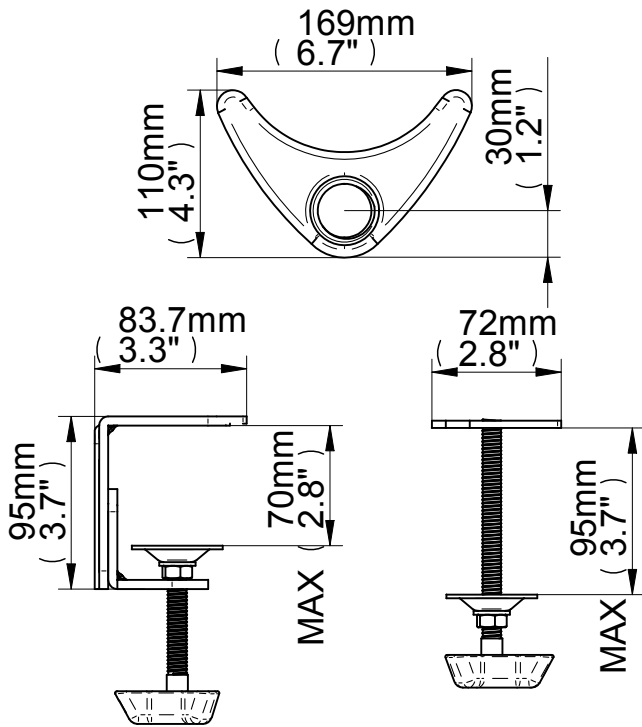
A cable clip is also provided to manage the cables down the pole.

BT7382

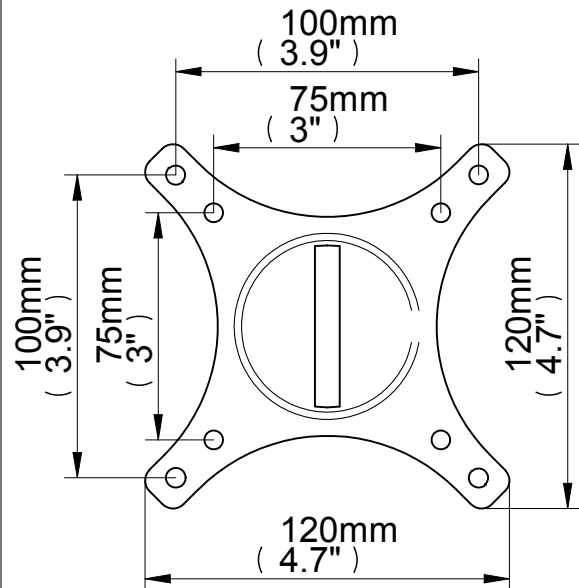
SINGLE ARM FULL MOTION FLAT SCREEN DESK MOUNT



DESK CLAMP, GROMMET & BASE



INTERFACE PLATE



THESE INSTRUCTIONS ARE INTENDED AS A GUIDE ONLY AND B-TECH ACCEPTS NO LIABILITY FOR THE ACCURACY OF THE INFORMATION CONTAINED IN THIS DOCUMENT.

B-TECH AUDIO VIDEO MOUNTS