



BT7372

**SINGLE ARM
FLAT SCREEN
DESK MOUNT**

The BT7372 features a single arm for easy reach and lateral adjustment, together with an easily adjustable tilt and swivel mechanism.

- Designed for screens up to 24" (61cm) / 9kg (20lbs)
- Fits screens with VESA mounting patterns: 75 x 75mm and 100 x 100mm
- Supplied with both a desk clamp and grommet
- Maximum extension: 560mm
- Easy tilt adjustment: +/-40°
- Features two swivel points: 360° at pole and 180° at interface
- Simple installation with all fixings included
- Available in a stylish Graphite Black finish



Supplied with a desk clamp to attach the mount to the rear or side of a desk. The clamp fixing is suitable for desks up to 70mm thick.



The fully adjustable head is ideal for easy positioning of the screen.



Also included is a grommet to attach the mount through a desk. The grommet fixing is suitable for desks up to 95mm thick.



Cable management is integrated into the mount for a clean and tidy installation.

A cable clip is also provided to manage the cables down the pole.



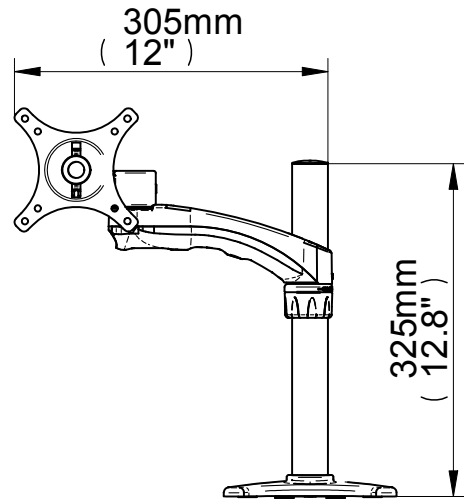
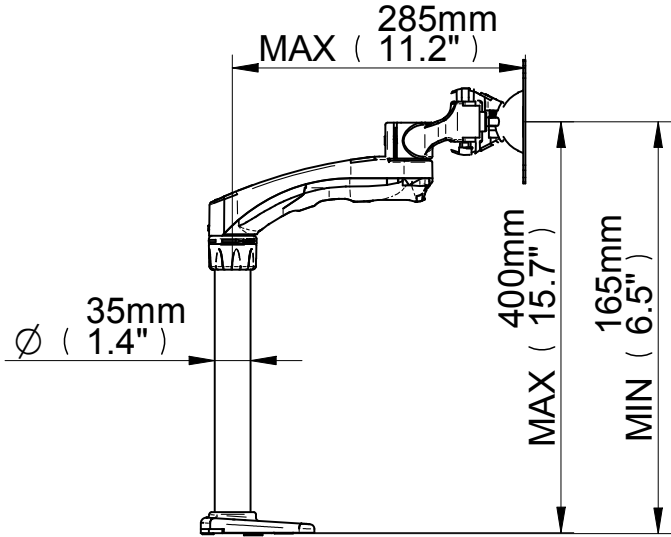
NEW FOR SPRING 2010

FLAT SCREEN DESK MOUNTS

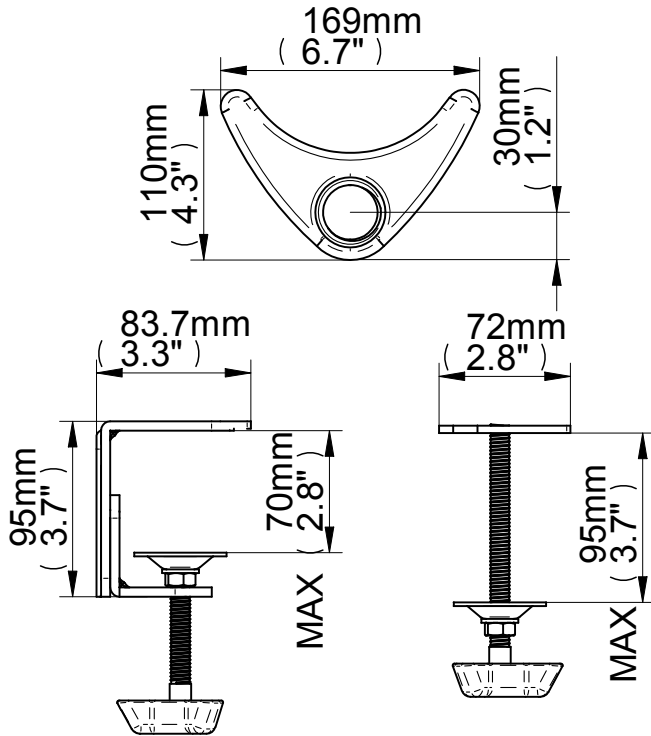
PRODUCT INFORMATION

BT7372

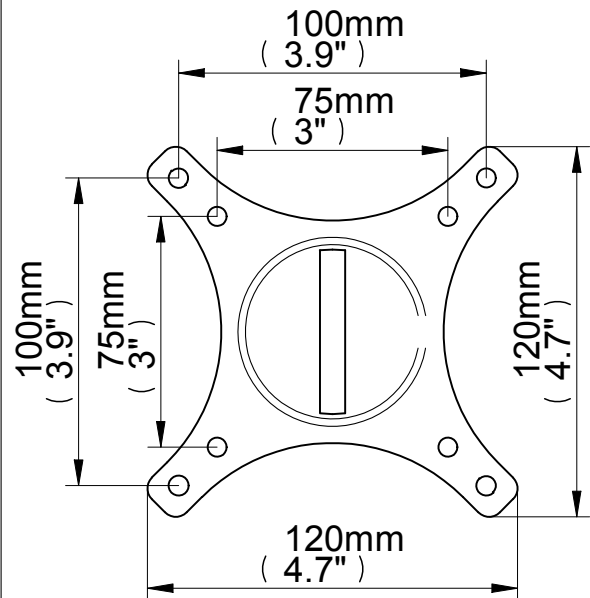
SINGLE ARM FLAT SCREEN DESK MOUNT



DESK CLAMP, GROMMET & BASE



INTERFACE PLATE



THESE INSTRUCTIONS ARE INTENDED AS A GUIDE ONLY AND B-TECH ACCEPTS NO LIABILITY FOR THE ACCURACY OF THE INFORMATION CONTAINED IN THIS DOCUMENT.

B-TECH AUDIO VIDEO MOUNTS