



Supplied with a desk clamp to attach the mount to the rear or side of a desk. The clamp fixing is suitable for desks up to 70mm thick.



The full motion arm allows for tool-less positioning of the screen.

The integrated tension adjustment mechanism ensures the mount will support screens up to 9kg (20lbs).



Also included is a grommet to attach the mount through a desk. The grommet fixing is suitable for desks up to 95mm thick.



Cable management is integrated into the mount for a clean and tidy installation.

A cable clip is also provided to manage the cables down the pole.

**BT7384**



**DOUBLE ARM  
FULL MOTION  
TWIN SCREEN WITH  
ARTICULATED ARMS**

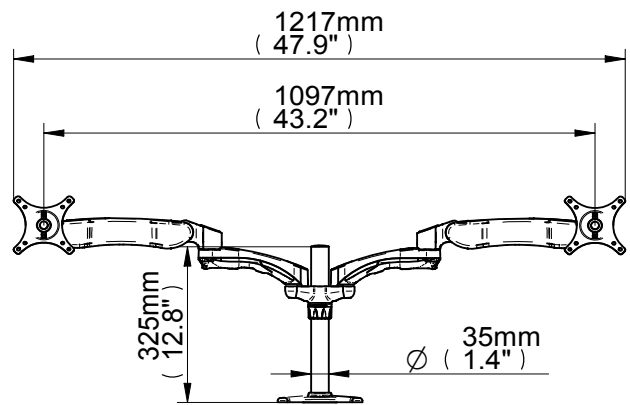
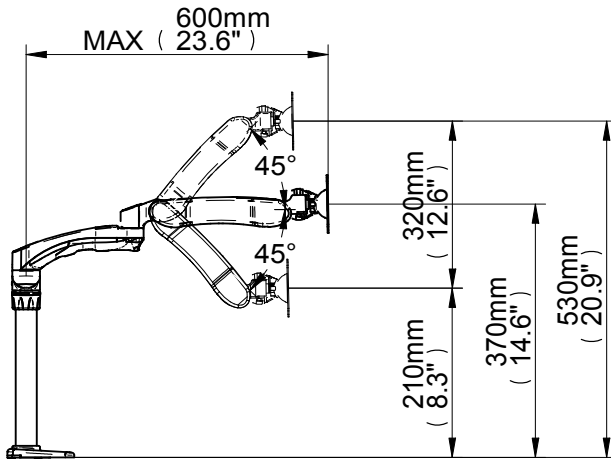
Full motion desk mounts allow the position of a desk mounted screen to be regularly adjusted for optimum screen positioning.

The BT7384 features full motion dual arms for easy height, reach and lateral adjustment, together with an easily adjustable tilt and swivel mechanism.

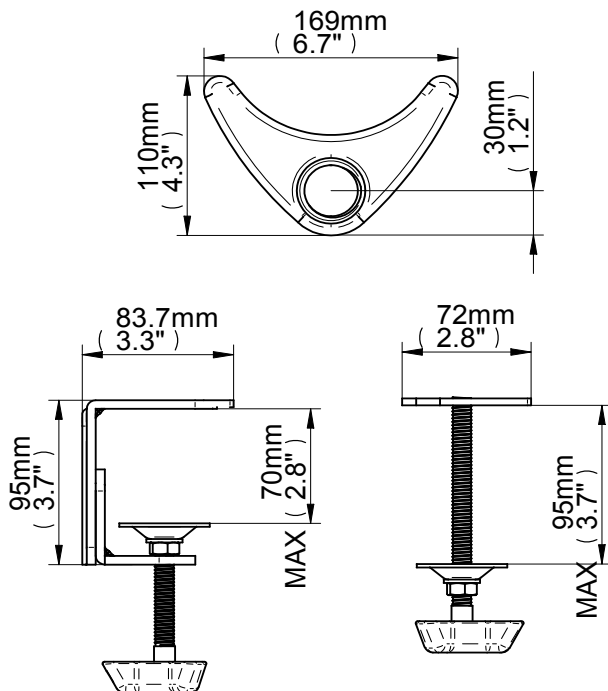
- Designed for screens up to 24" (61cm) / 9kg (20lbs)
- Fits screens with VESA mounting patterns: 75 x 75mm and 100 x 100mm
- Supplied with both a desk clamp and grommet
- Maximum extension: 560mm
- Easy tilt adjustment: +/-40°
- Features three swivel points on each arm: 360° at pole 360° at pivot and 180° at interface
- Simple installation with all fixings included
- Available in a stylish Graphite Black finish

**BT7384**

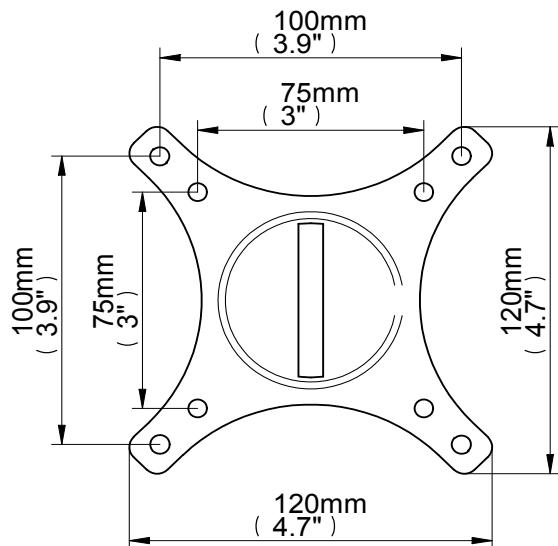
**DOUBLE ARM FULL MOTION TWIN SCREEN WITH ARTICULATED ARMS**



**DESK CLAMP, GROMMET & BASE**



**INTERFACE PLATE**



THESE INSTRUCTIONS ARE INTENDED AS A GUIDE ONLY AND B-TECH ACCEPTS NO LIABILITY FOR THE ACCURACY OF THE INFORMATION CONTAINED IN THIS DOCUMENT.