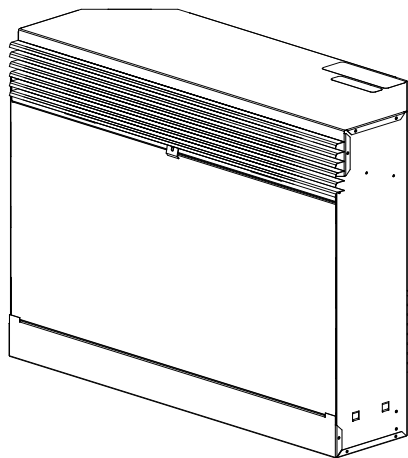




Better solutions through innovation



Owner's Manual

Model

DFP6848

DFP6787

DFP6755N

DF2600

DFP6912

DFP6923










IMPORTANT SAFETY INFORMATION: Always read this manual first before attempting to install or use this fireplace. For your safety, always comply with all warnings and safety instructions contained in this manual to prevent personal injury or property damage.

To view the full line of Dimplex products, please visit www.dimplex.com

7204820200R06



Table of Contents

	Welcome & Congratulations	3
	IMPORTANT INSTRUCTIONS.	4
	Quick Reference Guide	7
	Site Selection and Preparation	7
	Fireplace Installation	10
	Operation	11
	Maintenance	14
	Warranty.	16
	Replacement Parts	20

Always use a qualified technician or service agency to repair this fireplace.

! NOTE: Procedures and techniques that are considered important enough to emphasize.

⚠ CAUTION: Procedures and techniques which, if not carefully followed, will result in damage to the equipment.

⚠ WARNING: Procedures and techniques which, if not carefully followed, will expose the user to the risk of fire, serious injury, or death.

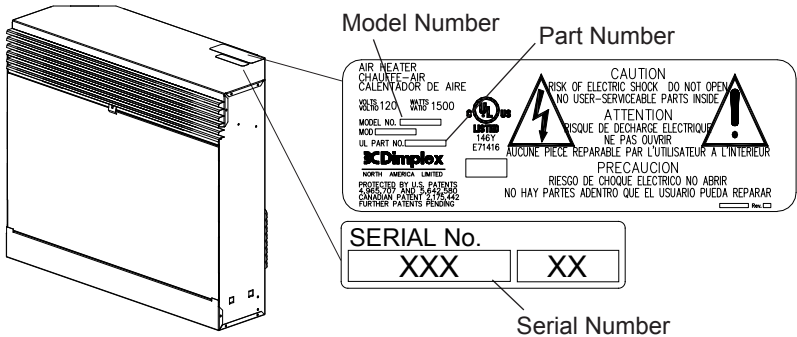
Welcome & Congratulations

Thank you and congratulations for choosing to purchase an electric fireplace from Dimplex, the world leader in electric fireplaces.

Please carefully read and save these instructions.


⚠ CAUTION: Read all instructions and warnings carefully before starting installation. Failure to follow these instructions may result in a possible electric shock, fire hazard and will void the warranty.


Please record your model and serial numbers below for future reference: model and serial numbers can be found on the Model and Serial Number Label of your fireplace.



STOP NO NEED TO RETURN TO THE STORE

Questions with operation or assembly? Require Parts Information?
Product Under Manufacturer's Warranty?

Contact us at:  www.dimplex.com/customer_support
For Troubleshooting and Technical Support

OR  **Toll-Free 1-888-DIMPLEX (1-888-346-7539)**
Monday to Friday 8:00 a.m. to 4:30 p.m. EST
Please have your model number and product serial number ready. (See above)



IMPORTANT INSTRUCTIONS

When using electrical appliances, basic precautions should always be followed to reduce the risk of fire, electric shock, and injury to persons, including the following:

- ① Read all instructions before using this appliance.
- ② The heater is hot when in use. To avoid burns, do not let bare skin touch hot surfaces. The trim around the heater outlet becomes hot during heater operation. Keep combustible materials, such as furniture, pillows, bedding, papers, clothes, and curtains at least 3 feet (0.9m) from the front of the unit.
- ③ Extreme caution is necessary when any heater is used by or near children or invalids and whenever the unit is left operating and unattended.
- ④ Always unplug the fireplace when not in use.
- ⑤ Do not operate any unit with a damaged cord or plug, or if the heater has malfunctioned, or if the fireplace has been dropped or damaged in any manner. Return heater to authorized service facility for examination, electrical or mechanical adjustment or repair.
- ⑥ Do not use outdoors.
- ⑦ The fireplace is not intended for use in bathrooms, laundry areas and similar indoor locations. Never locate heater where it may fall into a bathtub or other water container.
- ⑧ Do not install the fireplace directly on carpet or a similar surface which may restrict air circulation beneath the unit.
- ⑨ Do not run the cord under carpeting. Do not cover cord with throw rugs, runners or the like. Arrange cord away from traffic area and where it will not be tripped over.
- ⑩ To disconnect the unit, turn the controls off, then remove the plug from the outlet.
- ⑪ Do not insert or allow foreign



CAUTION
RISK OF ELECTRIC SHOCK
DO NOT OPEN
NO USER-SERVICEABLE PARTS INSIDE





IMPORTANT INSTRUCTIONS

objects to enter any ventilation or exhaust opening as this may cause an electric shock or fire, or damage to the heater.

⑫ To prevent a possible fire, do not block air intake or exhaust in any manner. Do not use on soft surfaces, like a bed, where openings may become blocked.

⑬ All electrical heaters have hot and arcing or sparking parts inside. Do not use in areas where gasoline, paint, or flammable liquids are used or stored or where the unit will be exposed to flammable vapours.

⑭ Do not modify the fireplace. Use it only as described in this manual. Any other use not recommended by the manufacturer may cause fire, electric shock or injury to persons.

⑮ To reduce the risk of electric shock, this appliance has a polarized plug (one blade is wider than the other). The plug will fit in a polarized outlet only one way. If the plug does not fit fully in the outlet, reverse the plug. If it still

does not fit, contact a qualified electrician to install the proper outlet. Do not change the plug in any way. Avoid the use of an extension cord. Extension cords may overheat and cause a risk of fire. If you must use an extension cord, the cord must be No. 14 AWG minimum size and rated no less than 1875 Watts.

⑯ Do not burn wood or other materials in the fireplace.

⑰ Do not strike the front glass.

⑱ Always use a certified electrician should new circuits or outlets be required.

⑲ Always use properly grounded, fused and polarized outlets.

⑳ Disconnect all power supply before performing any cleaning, maintenance or relocation of the unit.

㉑ When transporting or storing the unit and cord, keep in a dry place, free from excessive vibration and store so as to avoid damage.

SAVE THESE INSTRUCTIONS



IMPORTANT INSTRUCTIONS

⚠ WARNING: Remote control contains small batteries. Keep away from children. If swallowed, seek medical attention immediately.

⚠ WARNING: Do not install battery backwards, charge, put in fire or mix with used or other battery types - may explode or leak causing injury.

! NOTE: Changes or modifications not expressly approved by the party responsible for compliance could void user's authority to operate the equipment.

⚠ CAUTION: This equipment has been tested and found to comply with the limits for Class B digital device, pursuant to part 15 of the FCC Rules. These limits are designed to provide reasonable protection against harmful interference in a residential installation. This equipment generates, uses and can radiate radio frequency energy and, if not installed and used in accordance with the instructions, may cause harmful interference to radio or television reception, which can be determined by turning the equipment off and on, the user is encouraged to try to correct the interference by one or more of the following measures:

- Reorient or relocate the receiving antenna.
- Increase the separation between the equipment and the receiver.
- Connect the equipment into an outlet on a circuit different from that to which the receiver is connected.
- Consult the dealer or an experienced radio/TV technician for help.

Operation is subject to the following two conditions: (1) this device may not cause interference and (2) this device must accept any interference, including interference that may cause undesired operation of the device.



Quick Reference Guide

1. Before using the fireplace verify:
 - Are the circuit breakers for the unit on?
 - Are the light bulbs loose? (To check, follow the instructions for replacing the light bulbs under the maintenance section of this manual.)
2. If you have any technical questions or concerns regarding the operation of your electric fireplace, or require service contact customer service.
3. The heater may emit a slight, harmless odor when first used. This odor is a normal condition caused by the initial heating of internal heater parts.



Site Selection and Preparation

This section provides easy step by step instructions for selecting a location and preparing the site to install the fireplace into:

- **Existing Fireplace**
- **New wall construction**
- **Dimplex mantel surround kit or custom made mantel surround**

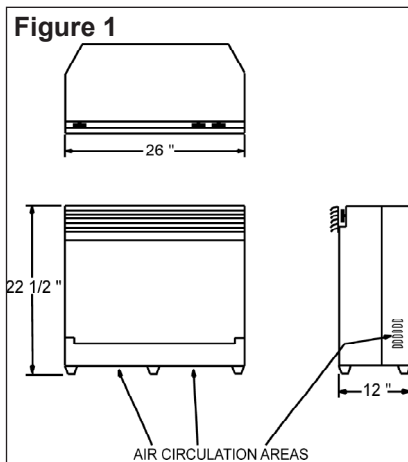
! NOTE: The fireplace insert comes completely assembled and wired. Some tools may be required to prepare the site and assembly/install the trim.

The dimensions of the fireplace insert are 26 inches (66 cm) wide X 22 ½ inches (57.2 cm) high X 12 inches (30.5 cm) deep (Figure 1). You should allow ¼ inch (0.6 cm)

around the fireplace insert for ease of installation.

This fireplace does not require any venting.

! CAUTION: Clearance for air circulation beneath the





Site Selection and Preparation

fireplace insert is provided by three (3) rubber feet (Figure 1). **Do not install the fireplace insert directly on carpet or similar surfaces which may restrict air circulation.** If installing the fireplace in a carpeted area, place a one-piece, solid, flat surface under the fireplace insert. Ensure that all three (3) of the insert's feet rest securely on this surface.

Existing Fireplace

1. Seal all drafts and vents with non-fibrous insulation materials to prevent chimney debris from falling into the fireplace insert. Do not install into an existing fireplace that is prone to leaks or dampness.
2. Cap the top of the chimney flue to prevent rain from entering.
3. Plan your electrical power supply (refer to NOTE 1).
4. The power cord can run along the front of the hearth to an outlet near the fireplace.

! NOTE 1: A 15 Amp, 120 Volt circuit is required. A dedicated circuit is preferred

but not essential in all cases. A dedicated circuit will be required if, after installation, the circuit breaker trips or fuse blows on a regular basis when the heater is operating. Additional appliances on the same circuit may exceed the current rating of the circuit breaker.

⚠ WARNING: To prevent personal injury you should hire a professional to cap the chimney flue or cut a hole in the existing fireplace for wiring.

If you return your existing fireplace to its original use (example wood burning), it should be inspected by the local building department prior to use to reduce the risk of fire and personal injury.

New Wall Construction

1. Select a suitable location that is not susceptible to moisture and is away from drapes, furniture and high traffic.
- ! NOTE:** The fireplace insert must be installed on a hard surface.
2. Place the fireplace in the desired location to see how it will look in the room.



Site Selection and Preparation

3. Mark the desired location on the floor and store the fireplace in a safe, dry and dust free location.
4. Use studs to frame an opening of 26 ½ inches wide X 23 inches high (67.3 cm wide X 58.4 cm high) allowing a depth of 12 inches (30.5 cm) (Figure 2A).
5. Plan your electrical power

supply (refer to NOTE 1).

Option #1 - The power cord can be lead from behind the trim and along the wall to an outlet near the fireplace.

Option #2 - A new outlet can be installed inside the new frame construction (if allowed by electrical code).

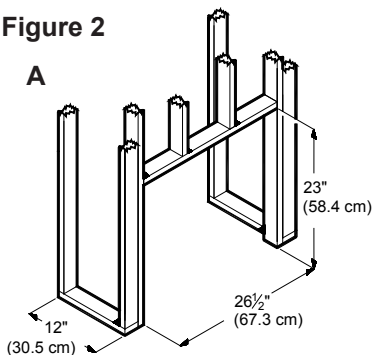
⚠ WARNING: Construction and electrical outlet wiring must comply with local building codes and other applicable regulations to reduce the risk of fire, electrical shock and injury to persons.

Mantel Surround Kit or Custom Made Mantel Surround

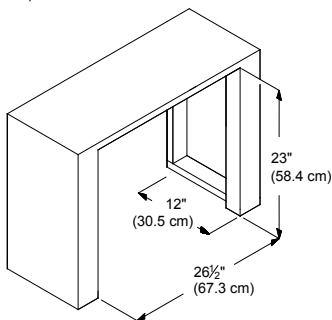
1. Select a suitable location that is not susceptible to moisture and is away from drapes, furniture and high traffic.
2. Place the fireplace in the desired location to see how it will look in the room.
3. For ease of electrical hook up you may wish to locate the fireplace near an existing outlet (refer to NOTE 1).
4. Store the fireplace in a safe dry and dust free location.

Figure 2

A



B





Site Selection and Preparation

- Assemble the mantel surround kit (refer to the mantel assembly instructions) or construct the custom surround with an opening of 26 ½ inches wide X 23 inches high (67.3 cm wide X 58.4 cm high) allowing a depth of 12

inches (30.5 cm) (Figure 2B).

⚠ WARNING: Do not attempt to wire your own new outlets or circuits. To reduce the risk of fire, electric shock or injury to persons, always use a licensed electrician.

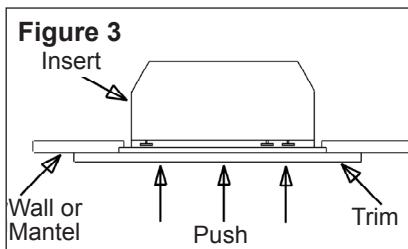


Fireplace Installation

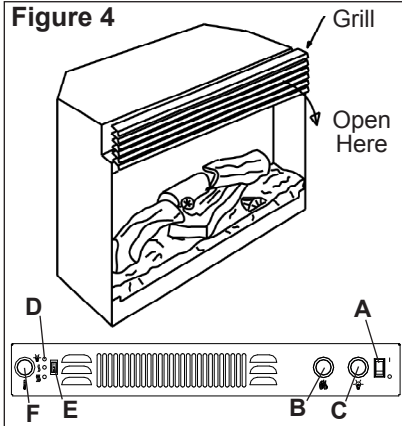
This section provides easy step by step instructions for installation of your fireplace.

- Install Trim Kit to front of fireplace by positioning trim then pushing straight forward against the fireplace.
- Make sure the unit is switched Off (refer to Operating instruction section).
- Plug the fireplace into a 15 Amp/120 Volt outlet. If the cord does not reach you may use an extension cord rated for a minimum of 1875 Watts.
- Push the fireplace into place so that the trim is against the finished Mantel Surround or wall surface (Figure 3)
- Level, if required with wood shims (not included).

⚠ WARNING: Ensure the power cord is not installed so that it is pinched or against a sharp edge and ensure that the power cord is stored or secured to avoid tripping or snagging to reduce the risk of fire, electric shock or injury to persons.



👉 Operation



To access the manual controls, open the upper grill by pulling, near the top right hand side, forward and down (Figure 4).

⚠️ WARNING: The centre and left hand side of the grill will get hot when the heater is operating. Take care to always grasp the grill on the right hand side.

! NOTE: To conceal the controls during the operation, return the grill to its original upright position.

A. ON/OFF Switch

The On/Off Switch supplies power to all fireplace functions (Heater/Flame).

B. Flame Action Control 🔥

Turn the flame action control knob

to adjust the flame speed to the desired level.

C. Interior Light Control 💡

Turn the interior light control knob to increase or decrease the brightness of the interior light.

D. LED Indicators

Indicates the current function of the fireplace.

E. 3-Position Switch

Pressing the switch up "I" toggles sequentially through the three levels of the fireplace.

Level 1 💡 : The flame effect is turned on and the first red indicator light is activated.

Level 2 🔥 : The flame effect remains on, the heater is activated to the low heat setting, and the first and second red indicator lights are activated.

Level 3 🔥🔥🔥 : The flame effect remains on, the heater is set to the high heat setting, and all three red indicator lights are activated.

Pressing the switch down "II" will turn the unit Off.

F. Heater Thermostat Control 🌡️

To adjust the temperature to your individual requirements, turn the thermostat control

Operation

clockwise all the way to turn on the heater. When the room reached the desired temperature, turn the thermostat knob counter clockwise until you hear a click. Leave in this position to maintain the room temperature at this setting. For additional heat, turn clockwise until you hear the click again and the heater will turn on.

! NOTE: The heater may emit a slight, harmless odor when first used. This odor is a normal condition caused by initial heating of internal heater parts and will not occur again.

Resetting the Temperature Cutoff Switch

This unit is equipped with a thermostat which controls the temperature of the room. It does this by turning the heater on and off. The heater is protected with a safety device to prevent overheating. Should the heater overheat, an automatic cut out will turn the heater off and it will not come back on without being reset. It can be reset by switching the On/Off Switch to Off and waiting five (5) minutes before switching the unit back on.

 CAUTION: If you need

to continuously reset the heater, unplug the unit and call Dimplex North America Limited at 1-888-346-7539 for technical support. Please have your model and serial number ready when calling.

Remote Control

The fireplace is supplied with a radio frequency remote control. This remote control has a range of approximately 50 feet (15.25m). It does not have to be pointed at the fireplace and can pass through most obstacles (including walls). It is supplied with one of 243 independent frequencies to prevent interference with other units. The frequency designation is indicated on the back of the remote control.

Remote Control Initialization/ Reprogramming

Follow these steps for remote control initialization and if required, re-initialization:

1. Ensure that power is supplied through the main service panel.
2. Open upper grille to access manual controls. (Figure 4)
3. Turn On/Off Switch to ON (Figure 4A).

🔑 Operation

4. Press and hold the 3-Position switch marked “I” for five seconds (red indicator light will flash). (Figure 4E)
5. Press the ON button located on the remote control. (Figure 5)

This will synchronize the remote control and receiver.

Remote Control Usage

The remote control operates the fireplace levels sequentially, flames only to flames and low heat, to flames and high heat. The level is increased every time the ON button on the remote control is pressed. The fireplace can be turned off at any point by pressing the OFF button on the remote control.

Level 1 💡: The flame effect is turned on and the first red indicator light is activated.

Level 2 🌀: The flame effect remains on, the heater is activated to the low heat setting, and the first and second red indicator lights are activated.

Level 3 🌀🌀🌀: The flame effect remains on, the heater is set to the high heat setting, and all three red indicator lights are activated.

! NOTE: When fireplace is turned on by remote control the fireplace will start with flames only. The level can be increased every time the ON button on the remote control is pressed.

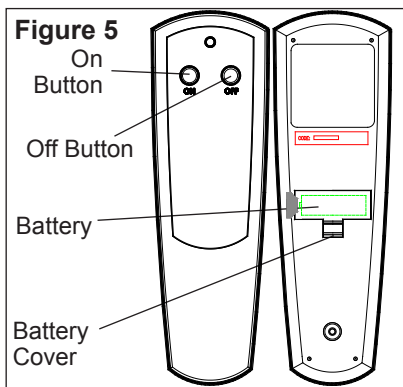
Battery Replacement

To replace the battery:

1. Slide battery cover open on the remote control (Figure 5).
2. Install one (1) 12-Volt (A23) battery in the battery holder.
3. Close the battery cover.



Battery must be recycled or disposed of properly. Check with your Local Authority or Retailer for recycling advice in your area.





Maintenance

⚠ WARNING: Disconnect power before attempting any maintenance or cleaning to reduce the risk of fire, electric shock or damage to persons.

Light Bulb Replacement

⚠ WARNING: Allow at least five (5) minutes for light bulbs to cool off before touching bulbs to avoid accidental burning of skin.

Light bulbs need to be replaced when you notice a dark section of the flame or when the clarity and detail of the log exterior disappears. There are two (2) bulbs at the top of the opening which illuminate the log set exterior, and four (4) bulbs under the log set which generate the flames and embers.

Helpful Hints: It is a good idea to replace all light bulbs at one time if they are close to the

end of their rated life. Group replacement will reduce the number of times you need to open the unit to replace light bulbs.

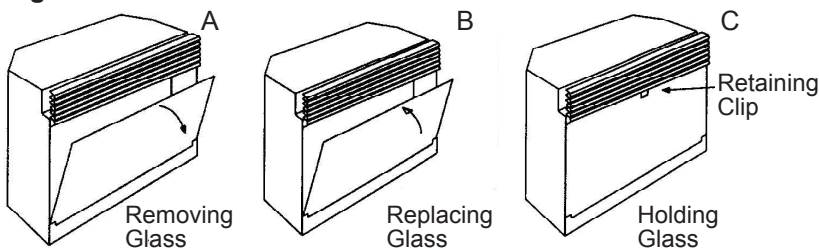
Tool Requirements: Slot screwdriver

! NOTE: Before replacing lamps unnecessarily, ensure that they are not simply loose or that the brightness control is not adjusted to low setting (see item C in operation section).

To open the light bulb area:

1. Remove the trim by pulling straight forward.
2. Hold the glass in place while removing the retaining clip from the upper center of the firebox (Figure 6A).
3. Lift glass out and store in a safe place.

Figure 6





Maintenance

⚠ CAUTION: Even though the glass is safety glass it may break if bumped, struck or dropped. Care must be taken when handling the glass.

Lower Light Bulb Requirements

Quantity of four (4) clear chandelier or candelabra bulbs with an E-12 (small) socket base, 60 Watt rating.

⚠ CAUTION: Do not exceed 60 Watts per lamp.

To replace the bottom light bulbs:

1. Lift up the front edge of the log until it clears the front tabs. Pull out until the rear tab clears the back ledge, then lift out (Figure 7).
2. Examine the bulbs to determine which bulbs require replacement.
3. Hold the socket while unscrewing the bulb.
4. Hold the socket while screwing in the new bulb.
5. Replace the log by pushing it down and in until it rests against the partially reflective glass.

Upper Light Bulb Requirements

Quantity of two (2) clear chandelier or candelabra bulbs with an E-12 (small) socket base, 15 Watt rating. Please refer to the label adjacent to the upper lamps for the correct wattage for your model.

⚠ CAUTION: Do not exceed 25 Watts per lamp.

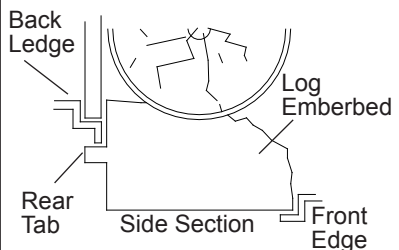
To replace the top light bulbs:

1. Locate the two (2) upper bulbs inside the firebox at the top.
2. Examine the bulbs to determine which bulbs require replacement.
3. Hold the socket while unscrewing the bulb.
4. Hold the socket while screwing in the new bulb.

To reassemble lamp area

1. Replace the glass and hold it in place at the top (Figure 6B).

Figure 7





Maintenance

2. Fasten retaining clip to hold glass in place (Figure 6C).

Glass Cleaning

The glass is cleaned in the factory during the assembly operation. During shipment, installation, handling, etc., the clear door may collect dust particles; these can be removed by dusting lightly with a clean dry cloth.

To remove fingerprints or other marks, the clear door can be cleaned with a damp cloth. The

clear door should be completely dried with a lint free cloth to prevent water spots.

⚠ CAUTION: Do not use abrasive cleaners on glass surface or spray liquids directly onto any surface.

Fireplace Surface Cleaning

Use a cloth dampened with warm water only to clean painted surfaces of the electric fireplace. Do not use abrasive cleaners.



Warranty

Products to which this limited warranty applies

This limited warranty applies to the following applicable models of your newly purchased Dimplex electric fireplace **6901181300** and to newly purchased Dimplex fireplace surrounds (mantels) and trims. This limited warranty applies only to purchases made in any province of Canada except for Yukon Territory, Nunavut, or Northwest Territories or in any of the 50 States of the USA (and the District of Columbia) except for Hawaii and Alaska. This limited warranty applies to the original purchaser of the product only and is not transferable.

Products excluded from this limited warranty

Light bulbs are not covered by this limited warranty and are the sole responsibility of the owner/purchaser. Products purchased in Yukon Territory, Nunavut, Northwest

Territories, Hawaii, or Alaska are not covered by this limited warranty. Products purchased in these States, provinces, or territories are sold AS IS without warranty or condition of any kind (including, without limitation, any implied warranties or conditions of merchantability or fitness for a particular purpose) and the entire risk of as to the quality and performance of the products is with the purchaser, and in the event of a defect the purchaser assumes the entire cost of all necessary servicing or repair.

What this limited warranty covers and for how long

Products, other than fireplace surrounds (mantels) and trims, covered by this limited warranty have been tested and inspected prior to shipment. Subject to the provisions of this warranty, Dimplex warrants such products to be free from defects in material and workmanship for



Warranty

a period of 2 years from the date of the first purchase of such products as follows:

(a) a repair or replacement warranty on defective products or parts, including in-home services, for the first year following the date of first purchase; and (b) thereafter, a replacement of parts warranty on defective products and parts (with no in-home services) for the 1 year period commencing on the first anniversary of first purchase and ending on the second anniversary of the date of first purchase.

Dimplex fireplace surrounds (mantels) and trims covered by this limited warranty have been tested and inspected prior to shipment and, subject to the provisions of this warranty, Dimplex warrants such products to be free from defects in material and workmanship for a period of 1 year from the date of first purchase of such products. Warranty services do not include in-home services.

The above section is a summary only of your warranty rights. Please review the remaining provisions of this warranty for your specific rights.

The limited 2 year warranty period for products other than fireplace surrounds (mantels) and trims and the limited 1 year warranty period for fireplace surrounds (mantels) and trims also applies to any implied warranties that may exist under applicable law. Some jurisdictions do not allow limitations on how long an implied warranty lasts, so the above limitation may not apply to the purchaser.

What this limited warranty does not cover

This limited warranty does not apply to products that have been repaired (except by Dimplex or its authorized service representatives) or otherwise altered. This limited warranty does further not apply to defects resulting from misuse, abuse, accident, neglect, incorrect installation,

improper maintenance or handling, or operation with an incorrect power source.

What you must do to get service under this limited warranty

Defects must be brought to the attention of Dimplex Technical Service by contacting Dimplex at 1-888-DIMPLEX (1-888-346-7539), or 1367 Industrial Road, Cambridge Ontario, Canada N1R 7G8. Please have proof of purchase, catalogue/model and serial numbers available when calling. Limited warranty service requires a proof of purchase of the product.

What Dimplex will do in the event of a defect

In the event a product or part covered by this limited warranty is proven to be defective in material or workmanship during (i) the 2 year limited warranty period for products other than fireplace surrounds (mantels) and trims, and (ii) the 1 year limited warranty period for surrounds (mantels) and trims, you have the following rights:

- Limited warranty service will be performed solely by dealers or service agents of Dimplex authorized to provide limited warranty services.
- **For products (other than surrounds (mantels) and trims) for the period ending at midnight on the first anniversary of the date of first purchase**, Dimplex will in its sole discretion either repair or replace such defective product or part without charge. If Dimplex is unable to repair or replace such product or part, or if repair or replacement is not commercially practicable or cannot be timely made, Dimplex may, in lieu of repair or replacement, choose to refund the purchase price for such product or part. This limited warranty



Warranty

entitles the purchaser to on-site or in-home warranty services. Accordingly, Dimplex will be responsible for all labour and transportation costs associated with the repair or replacement of the product or part, except as follows: (i) charges may be levied for travel costs incurred to travel to the purchaser's site where the product is located if the purchaser's site is beyond 30 miles (48 km) from the closest service depot of Dimplex's dealer or service agent; and (ii) the purchaser is solely responsible for providing clear access to all serviceable parts of the product.

- **For products (other than surrounds (mantels) and trims) for the period commencing at 12:01 a.m. on the day after the first anniversary of the first purchase and ending at midnight on the second anniversary of the date of first purchase**, this limited warranty entitles the purchaser to replacement parts only without charge. If Dimplex is unable to replace such part, or if replacement is not commercially practicable or cannot be timely made, Dimplex may, in lieu of replacement, choose to refund the purchase price for such part. The purchaser shall not be entitled to on-site or in-home warranty services. The purchaser shall be responsible for all expenses incurred for the removal of the part and installation of the replacement part including, without limitation, all shipping costs and transportation costs to and from the authorized dealer's or service agent's place of business and all labour costs. Such costs shall not be the responsibility of Dimplex.
- **For surrounds (mantels) and trims for the period ending at midnight**

on the first anniversary of the date of first purchase, Dimplex will in its sole discretion either repair or replace such defective surrounds (mantels) and trims or part thereof without charge. If Dimplex is unable to repair or replace such product or part, or if repair or replacement is not commercially practicable or cannot be timely made, Dimplex may, in lieu of repair or replacement, choose to refund the purchase price for such product or part. The purchaser shall not be entitled to on-site or in-house services. The purchaser is responsible for all expenses incurred for repair or replacement of such product or part including, without limitation, all shipping costs and transportation costs to and from the authorized dealer's or service agent's business and all labour costs. Such costs shall not be the responsibility of Dimplex.

- On-site or in-home services not provided under this warranty may be performed at the purchaser's specific request and expense at Dimplex's then-current rates for such services.

What Dimplex and its dealers and service agents are also not responsible for

IN NO EVENT WILL DIMPLEX, OR ITS DIRECTORS, OFFICERS, OR AGENTS, BE LIABLE TO THE PURCHASER OR ANY THIRD PARTY, WHETHER IN CONTRACT, IN TORT, OR ON ANY OTHER BASIS, FOR ANY INDIRECT, SPECIAL, PUNITIVE, EXEMPLARY, CONSEQUENTIAL, OR INCIDENTAL LOSS, COST, OR DAMAGE ARISING OUT OF OR IN CONNECTION WITH THE SALE, MAINTENANCE, USE, OR INABILITY TO USE THE PRODUCT, EVEN IF DIMPLEX OR ITS DIRECTORS, OFFICERS, OR AGENTS HAVE BEEN



Warranty

ADVISED OF THE POSSIBILITY OF SUCH LOSSES, COSTS OR DAMAGES, OR IF SUCH LOSSES, COSTS, OR DAMAGES ARE FORESEEABLE. IN NO EVENT WILL DIMPLEX, OR ITS OFFICERS, DIRECTORS, OR AGENTS BE LIABLE FOR ANY DIRECT LOSSES, COSTS, OR DAMAGES THAT EXCEED THE PURCHASE PRICE OF THE PRODUCT.

SOME JURISDICTIONS DO NOT ALLOW THE EXCLUSION OR LIMITATION OF INCIDENTAL OR CONSEQUENTIAL DAMAGES, SO THE ABOVE LIMITATION OR EXCLUSION MAY NOT APPLY TO THE PURCHASER.

How State and Provincial law apply

This limited warranty gives you specific legal rights, and you may also have other rights which vary from jurisdiction to jurisdiction. The provisions of the United Nations Convention on Contracts for the Sale of Goods shall not apply to this limited warranty or the sale of products covered by this limited warranty.



Replacement Parts

Front Glass	6900100400RP
Grille Assembly	1006720159RP
Light Socket	4200090100RP
Flicker Motor	3000240200KIT
Flicker Rod Assembly	6900190400RP
Power Cord	4100040200RP
Strain Relief	8500260003RP
Flame Speed Control Board	3000240100RP
Light Control Board	3000250100RP
Partially Reflective Glass	6900100200RP
Log Set	0437960100RP
Heater Switch	2800070200RP
3-Position Switch	2800070500RP
Thermostat	2300150100RP*
Knob	8800000300RP
Heater Assembly (with Cutout)	2200490200RP
Remote Control Receiver	3000820500RP
Remote Control	3000370600RP



Dimplex North America Limited

1367 Industrial Road
Cambridge ON
Canada N1R 7G8

© 2012 Dimplex North America Limited