




## MONTANA FLOOR LAMP ASSEMBLY INSTRUCTIONS

These instructions are provided for your safety.

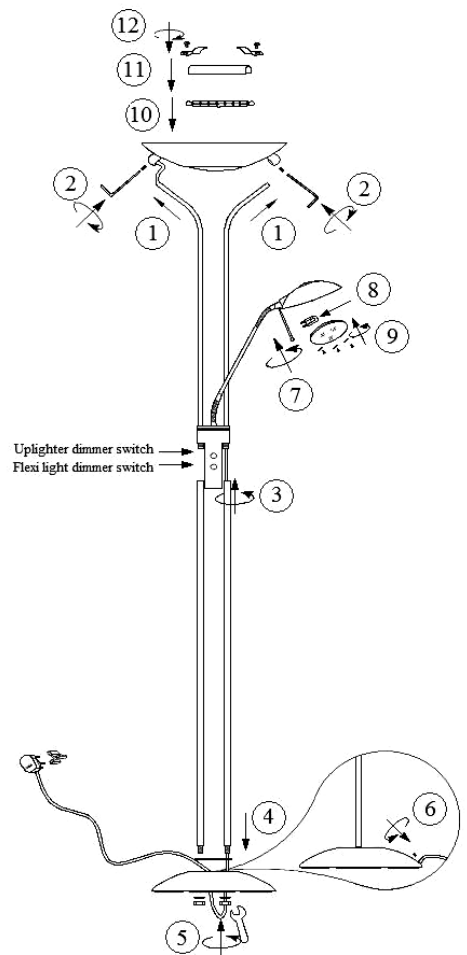
Please read carefully before commencing work and retain for future reference.

### SAFETY INFORMATION

- \* The supply cable runs through the inside of the floor stand, take care not to place undue stress on the cable whilst unpacking to prevent the possibility of a poor connection.
- \* If you are in any doubt consult a person competent to give advice on the assembly of electrical equipment.
- \* Always be sure to use the correct type and wattage of bulbs as indicated on the fitting.
- \* This product is designed for use with self-shielded tungsten halogen lamps only. 
- \* The product should be positioned so the bulb is no closer than 50cm from the surface it is illuminating. 
- \* Always replace the Pyrex glass shield if broken. 
- \* If the external flexible cable of the lamp is damaged, it shall be exclusively replaced by the manufacturer or his service agent or a similar qualified person in order to avoid a hazard.
- \* When changing the bulb, always unplug at the mains and allow the old bulb to cool down before handling. Dispose of used bulbs carefully.

### ASSEMBLY

1. Unpack the product and remove all packaging. Take care not scratch the surface of the poles whilst removing the plastic wrapping. Ensure the ends of the poles or the plug do not scratch base.
2. Lay the product out on the floor, having previously covered it with a soft cloth to avoid damage to the flooring and product finish. One of the lower poles has a cable passing through it and the other is free. Assembly should take place with the product lying flat.
3. It may be necessary to remove protective packaging (plastic/cardboard) located at cable entry points of the product.
4. Insert ends of the curved upper poles into the two sockets on the underside of the lighting tray. ① Ensure stems are fully inserted. Secure in position by tightening the grub screws on each socket using the Allen key provided. ②
5. Screw both lower poles into the central switch section. ③ Hold the poles parallel to avoid cross threading.
6. Gently pull excess cable out through centre of the base until lower poles almost touch the base.
7. Align lower poles and push the ends through the holes in the first bridging plate, base, second bridging plate and base weight. ④ Fit washers over the threads and secure the poles by tightening the two nuts. ⑤
8. Pull any excess cable out through the cable grip on the side of the base. Secure the cable by tightening the grub screw on the cable grip. ⑥ Take care not to over tighten the grub screw and damage the cable.
9. Screw adjustment handle into the socket just below the flexi light head. ⑦
10. Fit the flexi light bulb: Loosen all three shield-retaining screws but do not remove them. Slide the glass shield out. Fit the bulb: Type and wattage as indicated on the fitting. ⑧ **The wattage indicated must not be exceeded.** Do not touch halogen bulbs with bare hands, as this will shorten their life. Replace the glass bulb shield and screws loosened earlier. ⑨
11. Fit the up lighter bulb: Push one end of the bulb into one end of the spring-loaded holder then slide the other end into the other holder. ⑩ Do not touch halogen bulbs with bare hands, as this will shorten its life. **The wattage indicated must not be exceeded.**
12. Fit the protective glass shield ⑪ by sliding it into place and securing with the clips and screws provided. ⑫
13. Ensure all the assembled parts are fully tightened then stand the lamp upright.
14. Your floor lamp is now ready for use.



### GENERAL INFORMATION

This product is designed for internal use only. Do not use polish or abrasive cleaner – just a soft dry cloth.