

ARAMIS SEMI FLUSH FITTING INSTALLATION INSTRUCTIONS

These instructions are provided for your safety.

Please read carefully before commencing work and retain for future reference.

SAFETY INFORMATION

- * If you are in any doubt consult a person competent to give advice on the installation of electrical equipment.
- * This fitting should be fitted in accordance with IEE Wiring Regulations and relevant Building Regulations
- * To prevent electrocution switch off at the mains supply before installing or maintaining this fitting. Ensure other persons cannot restore the electricity supply without your knowledge.
- * To avoid damage to concealed wiring during installation, establish the direction of the supply cable before drilling fixing holes.
- * This fitting is Class I = $\frac{1}{\text{I}}$ and should be fitted to a lighting supply (with earth) protected by a 5 amp fuse or equivalent circuit breaker.
- * Always be sure to use the correct type and wattage of bulbs as indicated on the fitting. Never exceed the wattage stated.
- * When changing the bulb, always switch off at the mains and allow the old bulb to cool down before handling. Dispose of used bulbs carefully.

INSTALLATION

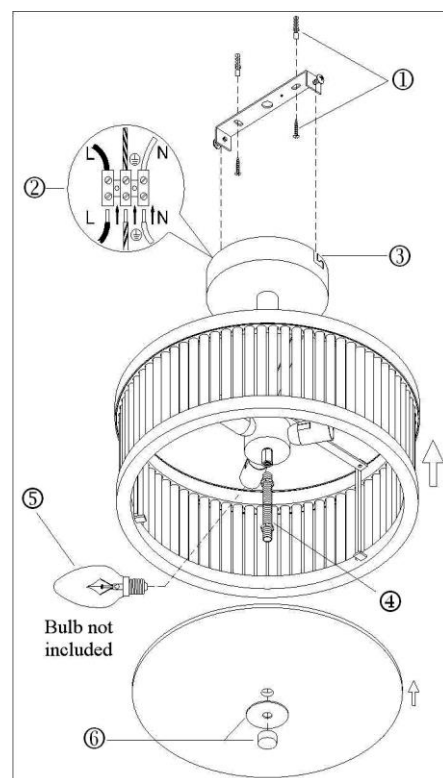
1. Ensure the house electricity supply is off at the fuse board.
2. Before removing the existing fitting, carefully note the position of each set of cables. If there are loop in cables that are not connected to the light these must be terminated in a separate terminal block not connected to the fitting.
3. Remove mounting bracket from ceiling cup by undoing 2 x retaining screws, retain screws for later.
4. Using mounting bracket as a template, ① mark and then drill the fixing holes in the ceiling. (Ensure the holes are drilled into a joist or other suitable mounting.)
5. Attach the mounting bracket onto the ceiling with suitable fixings. **Take care not to damage wiring.**
6. The weight of this fitting must be supported whilst you make electrical connections as follows. ②

Connect the supply live (normally brown or red) to fitting live (marked "L") on the terminal block.

Connect the supply neutral (normally blue or black) to fitting neutral (marked "N") on the terminal block.

Connect the supply earth (normally green/yellow or unsheathed) to earth (marked " $\frac{1}{\text{E}}$ ") on terminal block.

Note: Ensure electrical connections are tight and no loose strands of wire are left out of the connector block.
7. Offer fitting up to mounting bracket and align fixing holes then secure into position using the screws removed earlier. ③ **Take care not to trap or damage wiring in the process.**
8. Screw threaded support post onto ceiling plate then tighten into position with locking nut whilst using a spanner. ④
9. Fit the bulb, type and wattage as indicated on the fitting. ⑤
10. Make sure plastic washer is present on fixing post then offer the glass into position so that post protrudes from the glass then fit the large washer and secure into position with finial. ⑥ **Particular must be taken to ensure the glass is not over tightened whilst securing the glass into positioned.**
11. Switch on the electricity supply at the fuse board.



GENERAL INFORMATION

This fitting is designed for internal use only and must be fitted to a DRY SURFACE as any dampness in plaster or paint can damage the finish. **Do not use polish or abrasive cleaner - just a soft dry cloth.**