

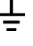

CECILIA G9 GLASS PENDANT FITTING

INSTALLATION INSTRUCTIONS

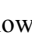

These instructions are provided for your safety.

Please read carefully before commencing work and retain for future reference.

SAFETY INFORMATION

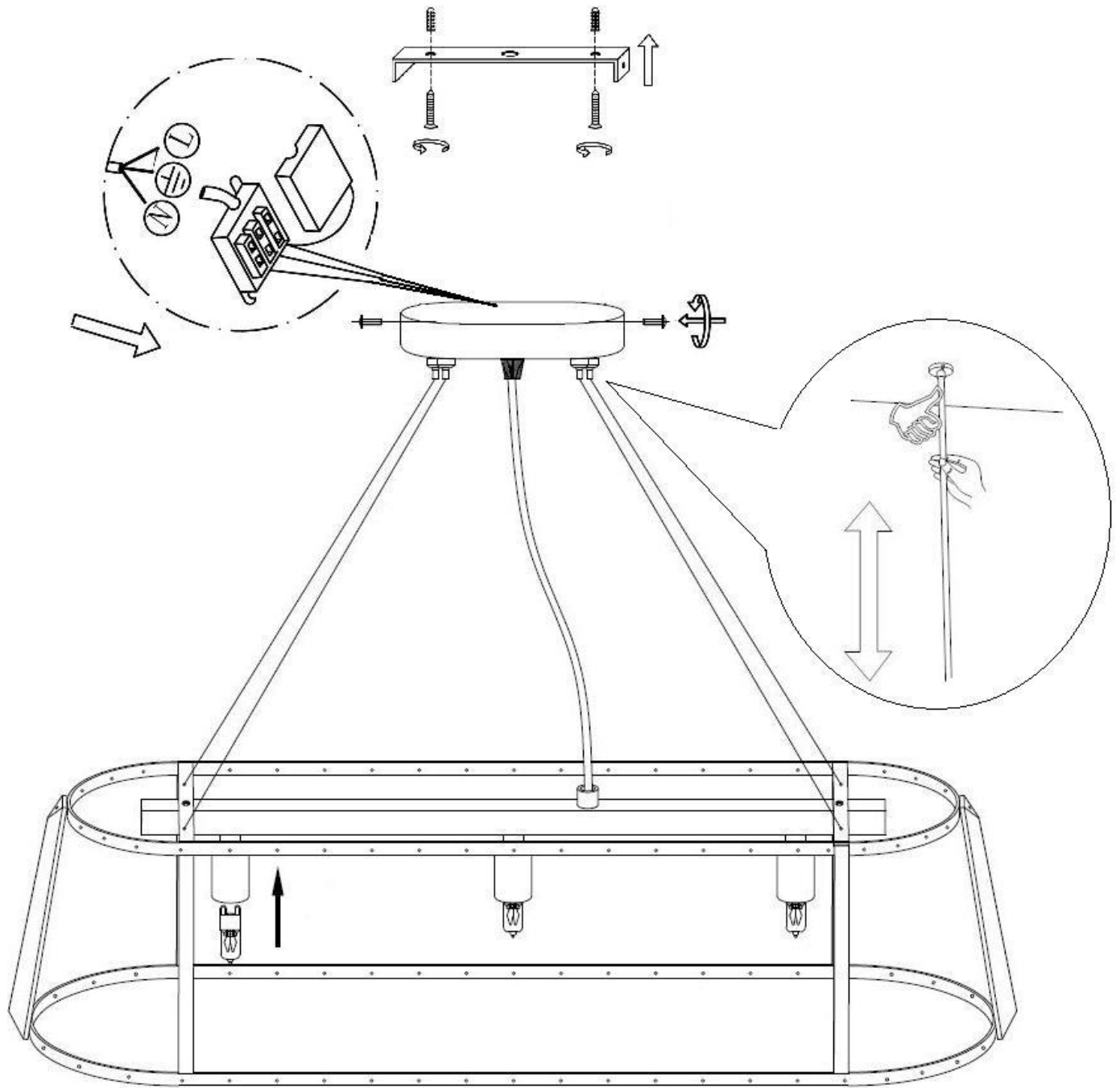
- * If you are in any doubt consult a person competent to give advice on the installation of electrical equipment.
- * This fitting should be fitted in accordance with IEE Wiring Regulations and the Building Regulations
- * To prevent electrocution switch off at the mains supply before installing or maintaining this fitting. Ensure other persons cannot restore the electricity supply without your knowledge.
- * To avoid damage to concealed wiring during installation, establish the direction of the supply cable before drilling fixing holes.
- * This fitting is Class I =  and should be fitted to a lighting supply (with earth) protected by a 5 amp fuse or equivalent circuit breaker.
- * Always be sure to use the correct type and wattage of bulbs as indicated on the fitting. Never exceed the wattage stated.
- * When changing the bulb, always switch off at the mains and allow the old bulb to cool down before handling. Dispose of used bulbs carefully.
- * This fitting is designed for use with self-shielded tungsten halogen lamps only = 

INSTALLATION

1. Ensure the house electricity supply is off at the fuse board.
2. Before removing the existing rose, carefully note the position of each set of cables. If there are loop in cables that are not connected to the light these must be terminated in a separate terminal block not connected to the fitting.
3. Remove mounting bracket from fitting by undoing retaining screws at the sides of the ceiling rose, retain screws and any washers for later.
4. Using the mounting bracket as a template, mark and drill the fixing holes in the ceiling (ensure that holes are drilled into a joist or other suitable mounting and not just into plaster).
5. Attach the mounting bracket to ceiling with suitable fixings. **Take care not to damage wiring.**
6. **Pendant Adjustment: It is important that any height adjustments are made prior to installation. No adjustment must be made while the product is installed.**
Adjust the drop of the fitting to the desired height. The weight of the fitting must always be taken by the thin suspension wires and not the electrical cable. Shorten the suspension wires by pushing the wires up into the ceiling cup. To lengthen the wires push the small tube where the suspension wires goes through to the ceiling cup upwards whilst at the same time gently pulling the wire to the desired length. Ensure suspension wires are equally adjusted to keep the product level. Release the tube to lock the suspension wires into position. Excess electrical cable should be fitted into ceiling cup or void.
7. Use a screwdriver to lever open the connector block housing then feed supply cable through rubber grommet and make electrical connections as follows:
Connect the supply live (normally brown or red) to fitting live (marked “L”) on the terminal block.
Connect the supply neutral (normally blue or black) to fitting neutral (marked “N”) on the terminal block.
Connect the earth (normally green/yellow or unsheathed) to terminal block marked ‘’ on the fitting.
Ensure electrical connections are tight and no loose strands of wire are left out of the connector block. Ensure terminal blocks and rubber sleeve are correctly seated then close connector block housing.
8. Attach the fitting to the mounting bracket by using the retaining screws and any washers removed earlier. Take care not to trap or pinch wires in the process.
9. Fit the bulb: type and wattage as indicated on the fitting.  **Always use self-shielded bulbs.** Do not touch halogen bulbs with bare hands, as this will shorten their life.
10. Switch on the electricity supply at the fuse board.

GENERAL INFORMATION

This fitting is designed for internal use only and must be fitted to a DRY SURFACE as any dampness in plaster or paint can damage the finish. **Do not use polish or abrasive cleaner - just a soft dry cloth.**



This diagrams is offered as a guide only.
Please follow all the safety and installation information overleaf.