

ROLLING CRADLE M0413 ALL RIGHTS RESERVED ©
A S S E M B L Y & O P E R A T I O N M A N U A L

Congratulations on purchasing a Million Dollar Baby product. Please be sure to follow the instructions for proper assembly. Use a Phillips screwdriver and a regular screwdriver for assembling the cradle. Do not use electric drills or power screwdrivers. Please understand that natural woods have color variations which are the result of nature and are not defects in workmanship.



PLEASE RECORD THE FOLLOWING FOR FUTURE REFERENCE:

Model/Item Number* _____

P. O. /Lot Number* _____

Date of Purchase _____

Store Purchased From _____

Finish	cherry	___	oak	___
	maple	___	white	___
	natural	___	unfinished	___
	other	___		

* Refer to the cardboard box.

ONE YEAR LIMITED WARRANTY:
We will replace any missing parts at the time of purchase or any defective items within a one year period from the date of original purchase. Please keep your receipt so that we may process your warranty request. This warranty only covers new units with original packaging and ownership and is non-transferable. It does not cover any used, secondhand or demo models.

This warranty does not cover any damaged or defective parts that result from normal wear and tear, abuse, negligence, improper use or alteration to the finish, design, and hardware. The specific legal rights of this warranty may vary from state to state. Some states do not allow any exclusion or limitation of incidental or consequential damages. Some states do not allow limitation on how long an implied warranty lasts.

IF YOU WOULD LIKE TO ORDER REPLACEMENT OR MISSING PARTS PLEASE VISIT US AT:

WWW.MILLIONDOLLARBABY.COM

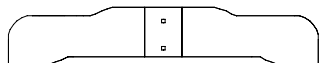
OR YOU CAN CONTACT US BY MAIL.

MILLION DOLLAR BABY
855 WASHINGTON BLVD.
MONTEBELLO, CA 90640

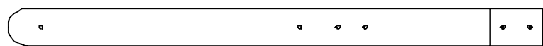
WARNING: Stop using this cradle when a child is able to pull to a standing position. The cradle could tip over if the child is sitting, kneeling, or standing up and leaning against the side rails. This product is for residential use only. Any institutional use is strictly prohibited.

1 Unpack and separate all parts, different size bolts and screws. All holes for attachment have been pre-drilled or have metal inserts. No drilling by the customer is necessary. Do not tighten bolts until all the components are properly in place. Ask your store or call us for replacement of missing parts. Record your model number, serial number, date of purchase and the finish color for future reference.

Do not substitute parts. All models have the same quantity of parts and hardware. Your model may look different from the one illustrated due to stylistic variations. We continue to improve our products and may make minor changes to the design. These changes may not be reflected in the instructions.



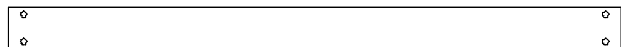
A Pedestals (2 pieces)



B Left vertical post



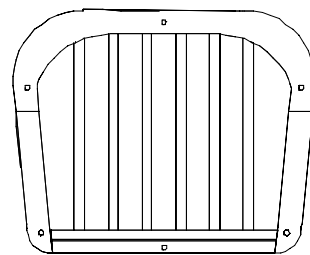
C Right vertical post



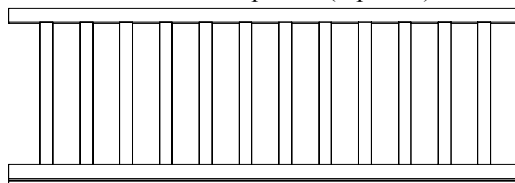
D Wood cross beam



E Metal cross brace



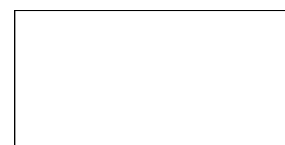
F Head/foot panels (2 pieces)



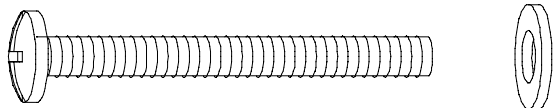
G Side panels (2 pieces)



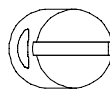
H Bottom board



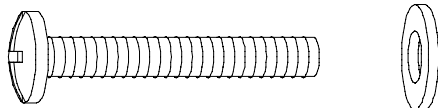
J Foam mattress



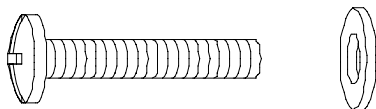
K 2" Phillips head bolts & washers (4 pieces each)



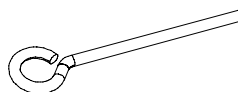
R Barrel nuts (4 pieces)



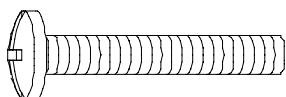
L 1 3/8" Phillips head bolts & washers (8 pieces each)



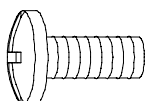
M 1 1/8" Phillips head bolts & washers (4 pieces each)



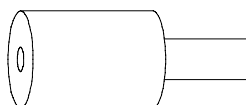
S Locking pin



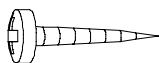
N 1 1/4" Phillips head bolts (2 pieces)



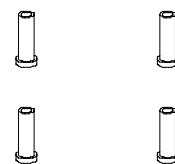
P 1/2" Phillips head bolts (2 pieces)



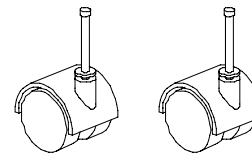
T Pivot pins (2 pieces)



Q 5/8" Wood screws (2 pieces)

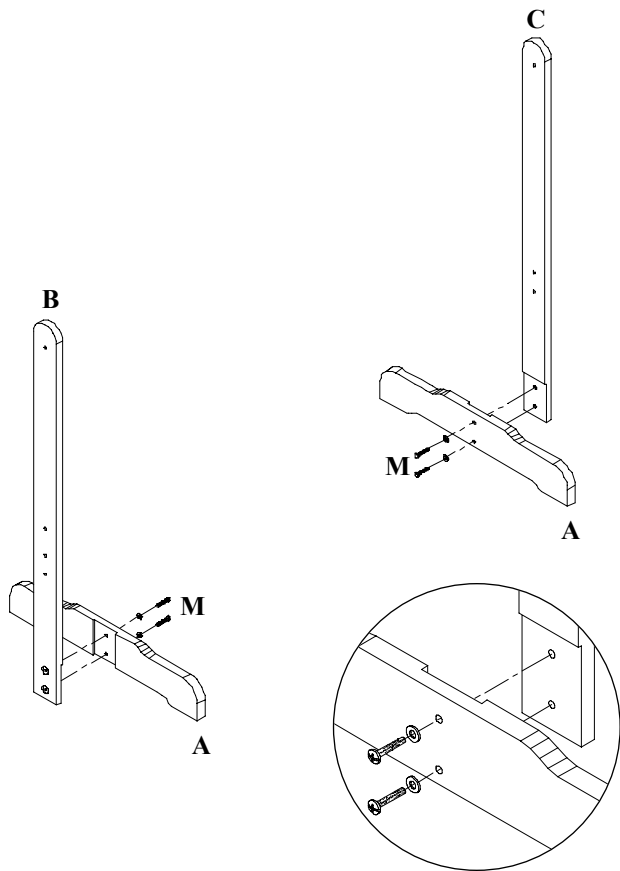


U Plastic inserts

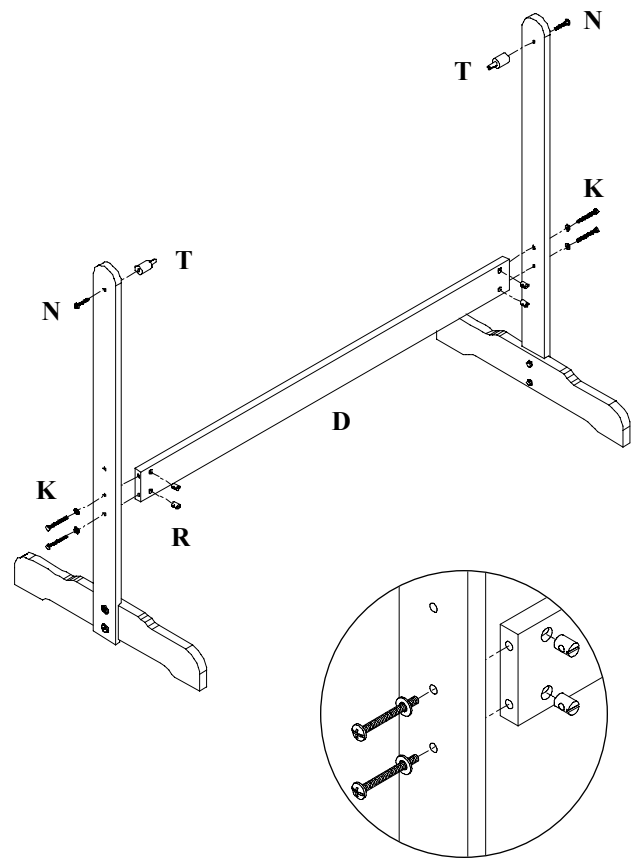


V Casters

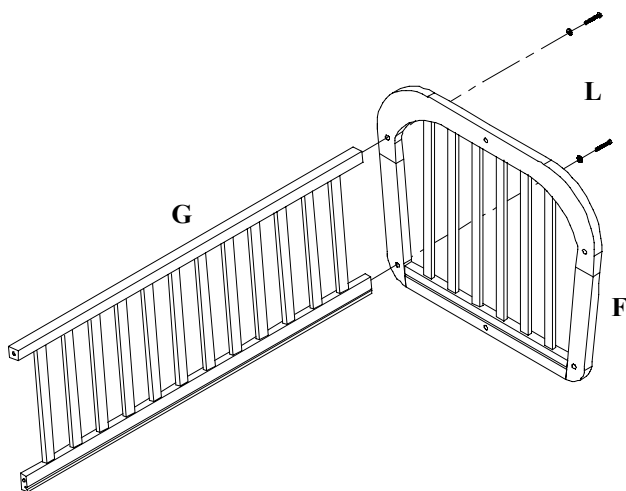
2



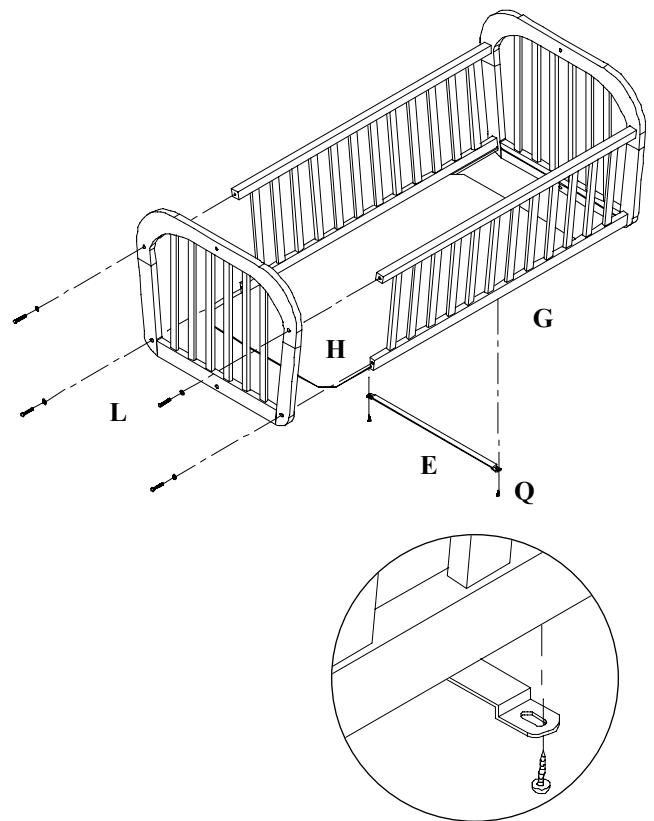
3



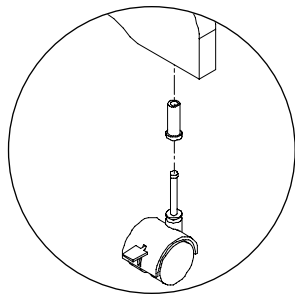
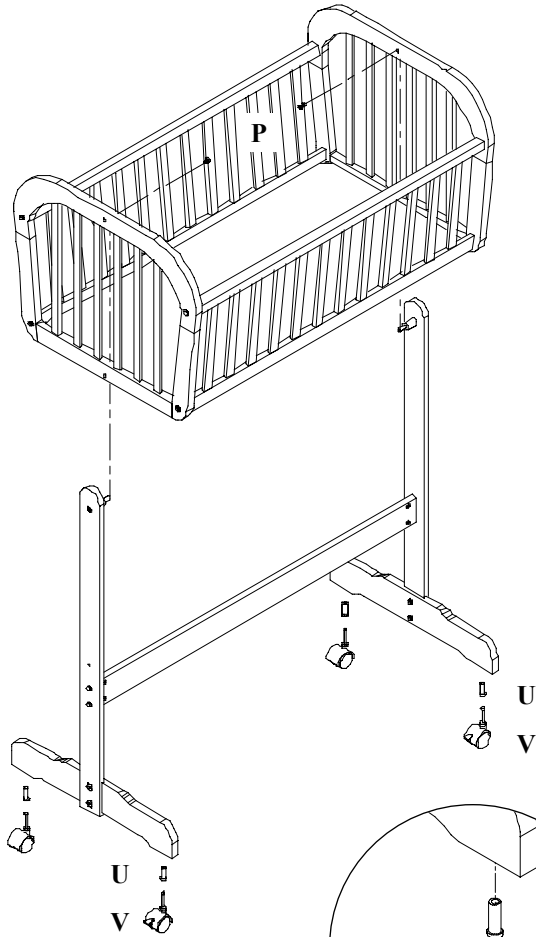
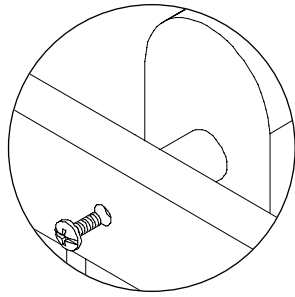
4



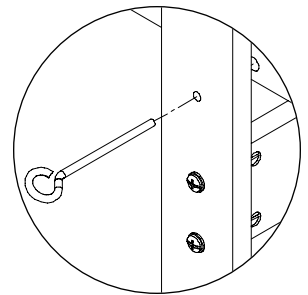
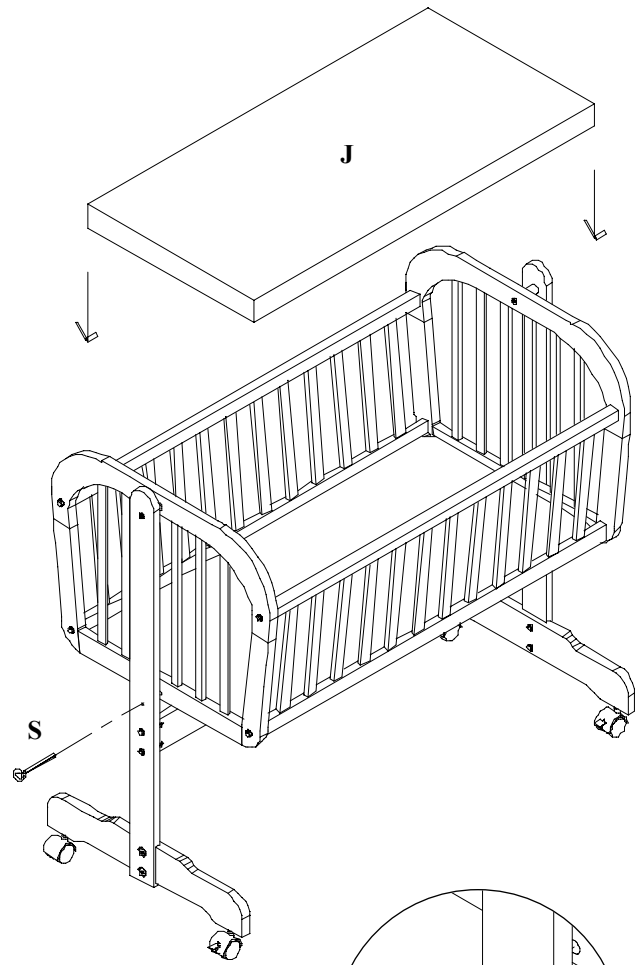
5



6



7



Tap the plastic insert U halfway into the pre-drilled hole with a rubber mallet. Use liquid detergent/soap to minimize friction. Push in the castor. This will drive the plastic insert into its final position.

8 Tighten all bolts and screws. Make sure that the casters can rotate freely.

KEEP THIS MANUAL IN A SAFE PLACE FOR FUTURE REFERENCE.

