

Combo Dresser (5599) - Assembly and Operation Manual

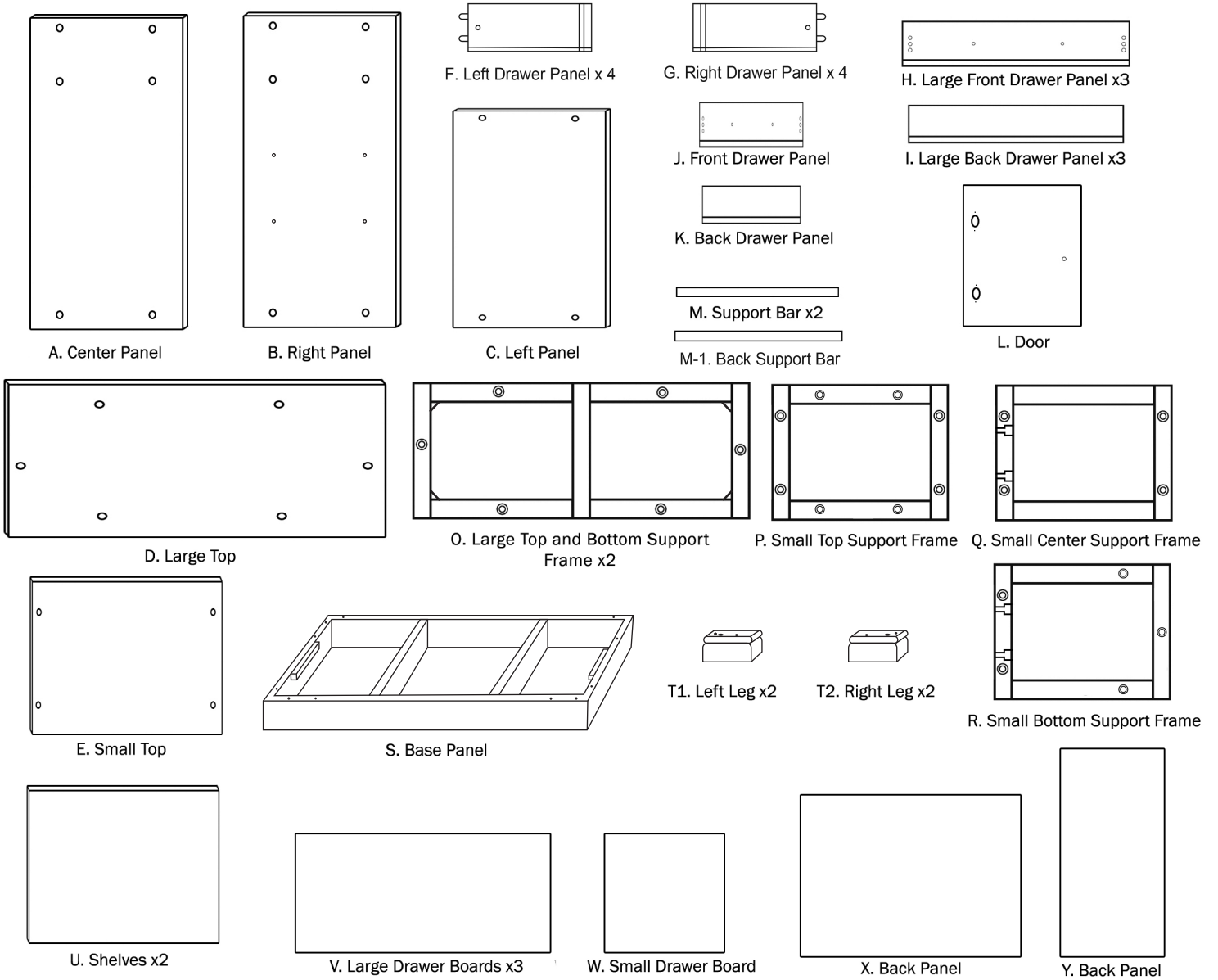
Congratulations on purchasing an MDB Family product. This product will provide many years of service if you adhere to the following guidelines for assembly, maintenance and operation. This product is for residential use only. Any institutional use is strictly prohibited.

Please be sure to follow the instructions for proper assembly. Use a Phillips head screwdriver for assembling the product in addition to the Allen wrench included in the hardware box. Do not use power screwdrivers. All of our products are made from natural woods. Please understand that natural woods have color variations which are the result of nature and not defects in workmanship.

DO NOT SUBSTITUTE PARTS. ALL MODELS HAVE THE SAME QUANTITY OF PARTS AND HARDWARE. YOUR MODEL MAY LOOK DIFFERENT FROM THE ONE ILLUSTRATED DUE TO STYLIS-TIC VARIATIONS.

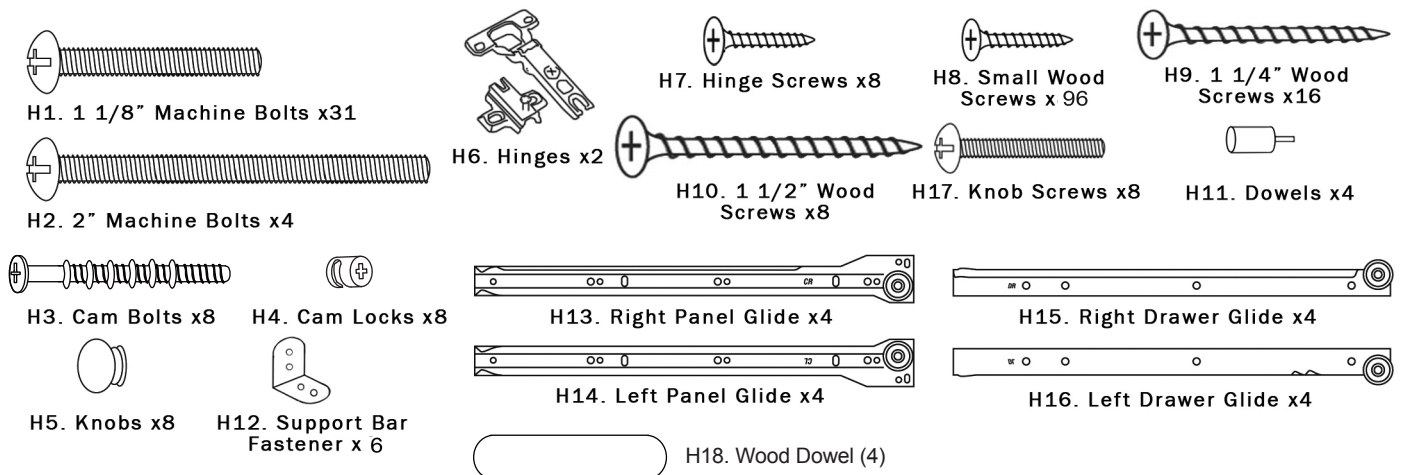


PARTS



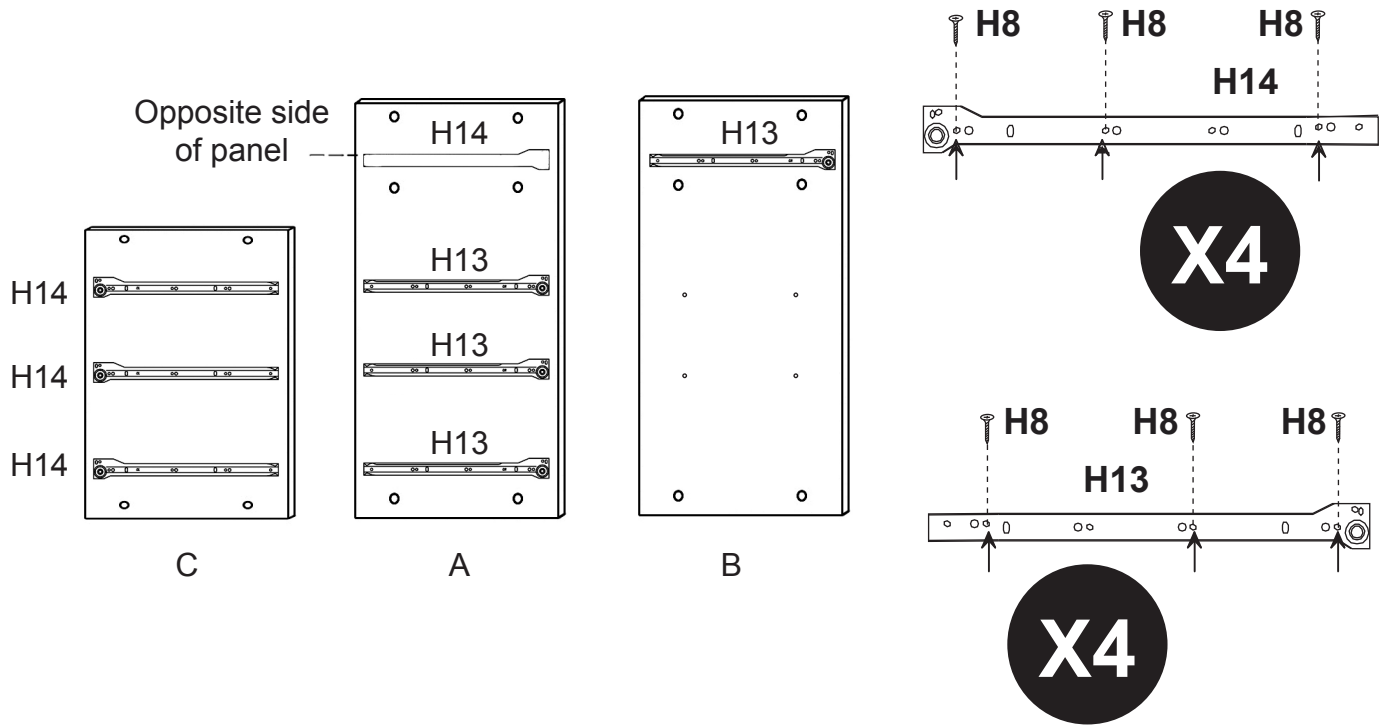
HARDWARE

WARNING: USING ANY POWER TOOLS TO ASSEMBLE THIS FURNITURE MAY POTENTIALLY STRIP THE WOOD. DO NOT USE.

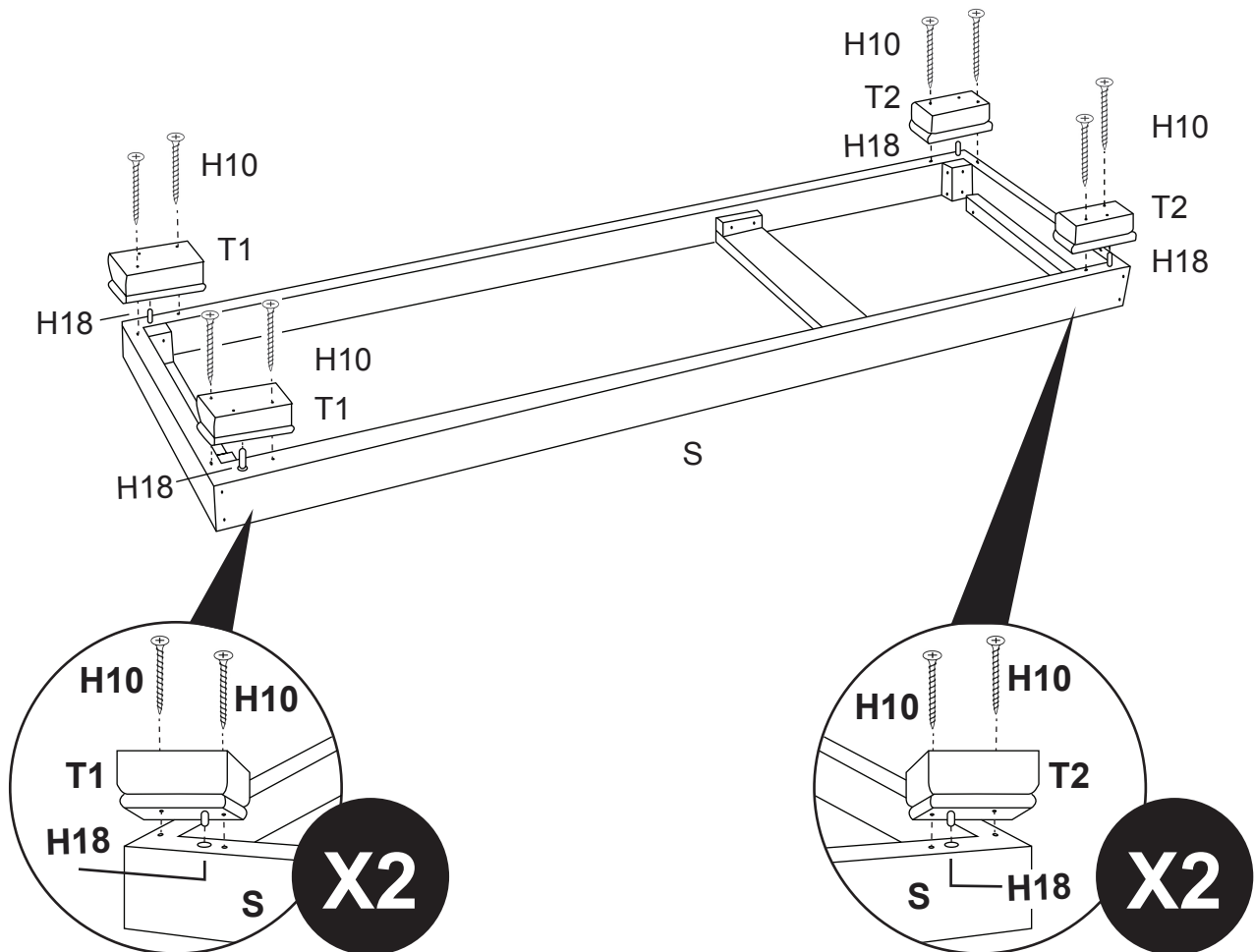


ASSEMBLY INSTRUCTIONS

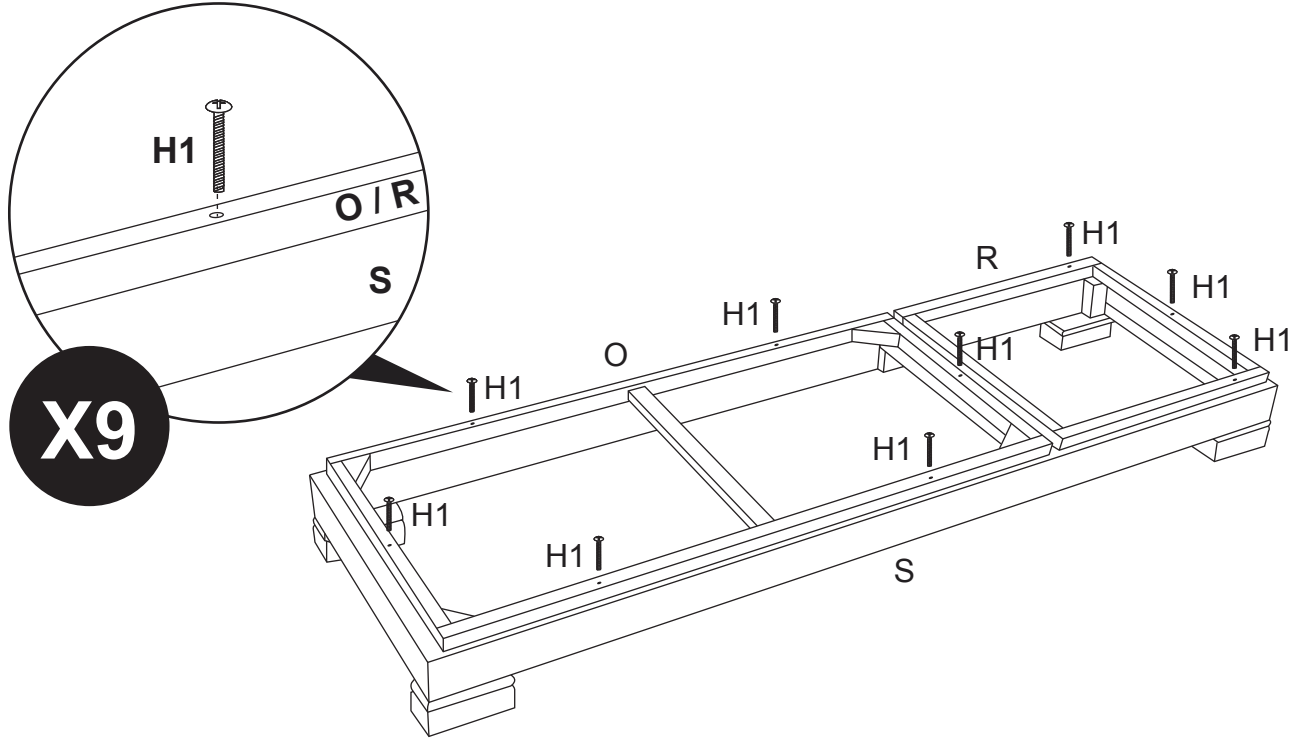
1



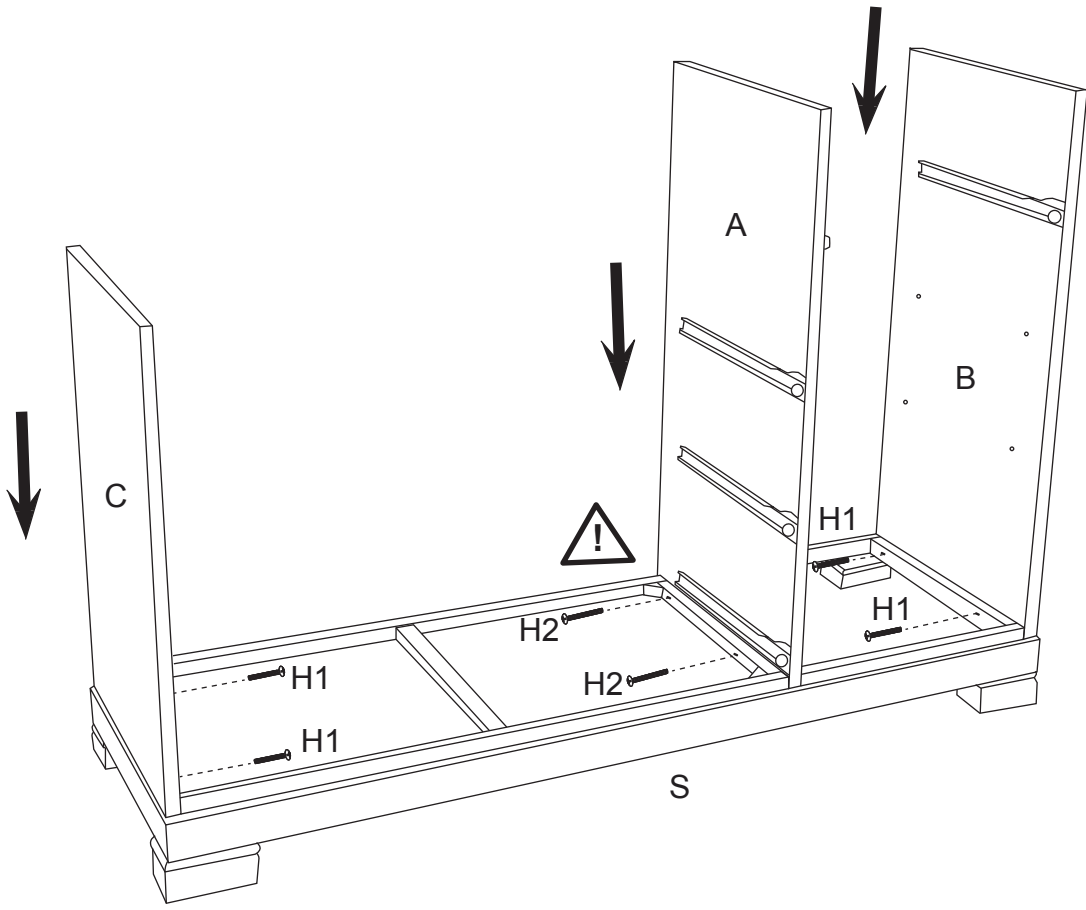
2



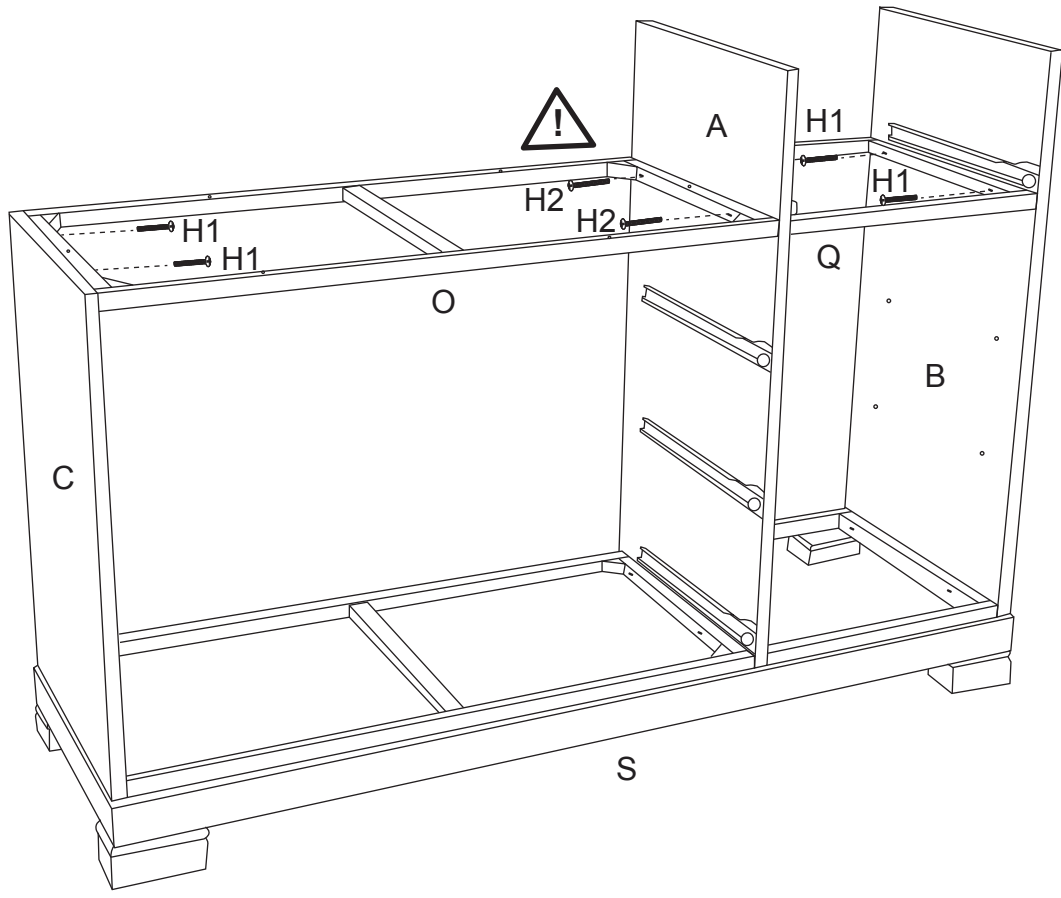
3



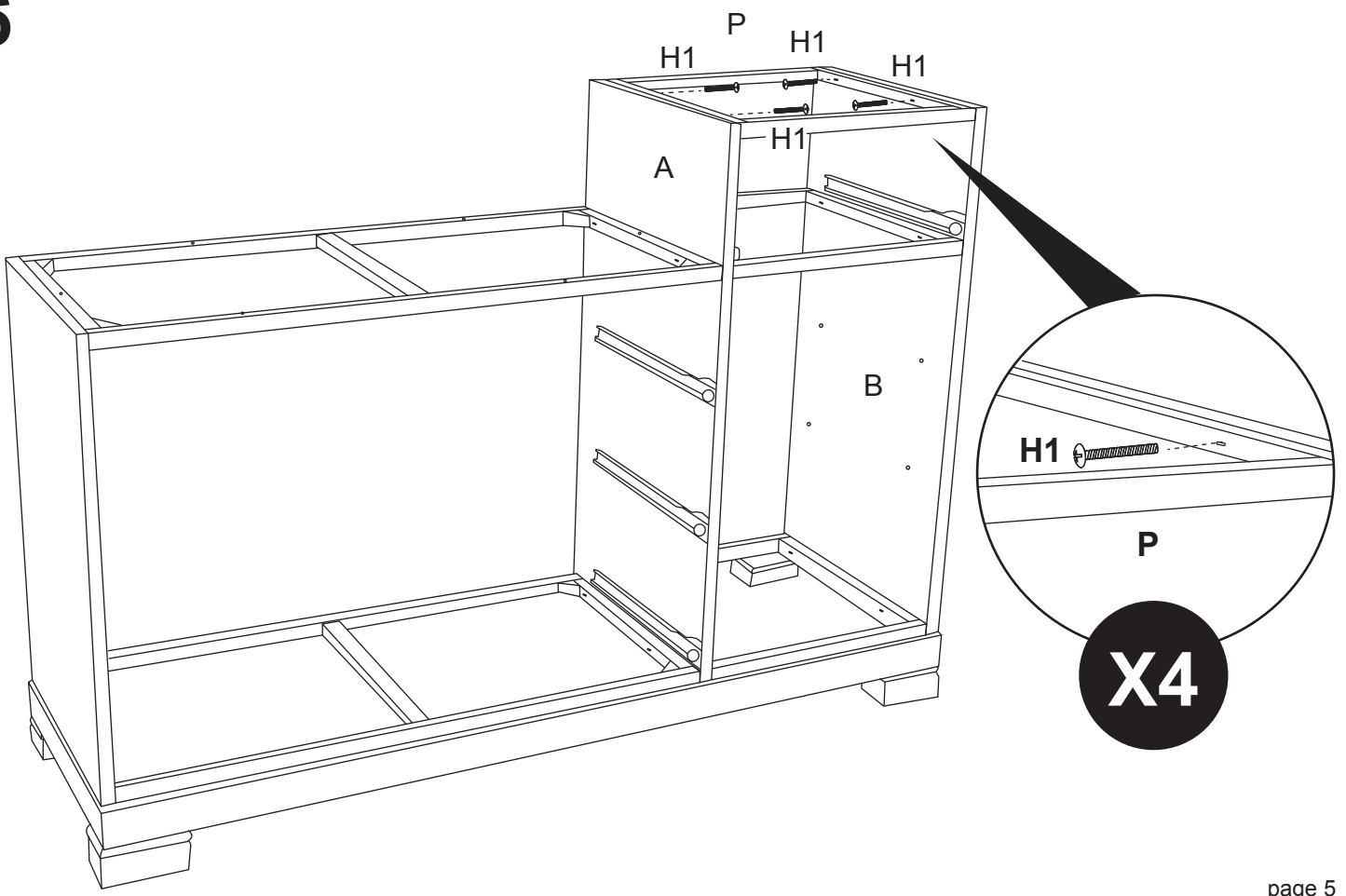
4



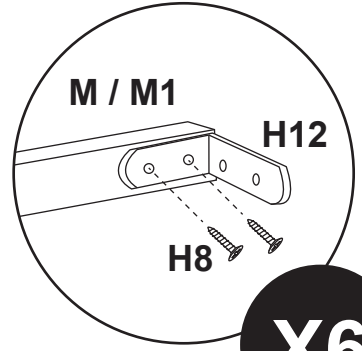
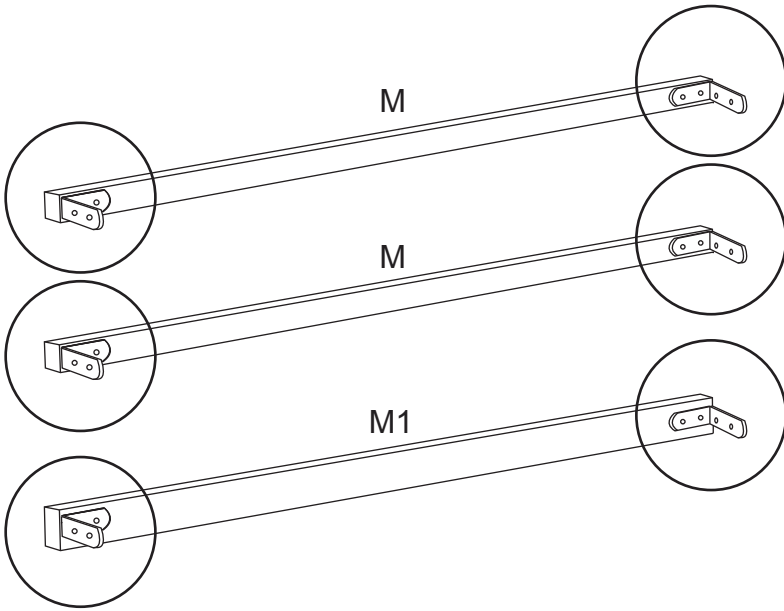
5



6

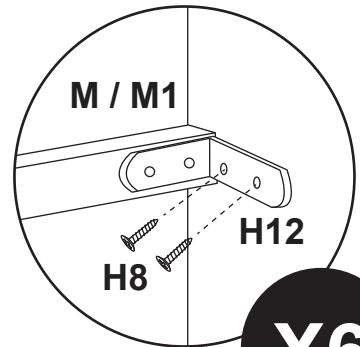
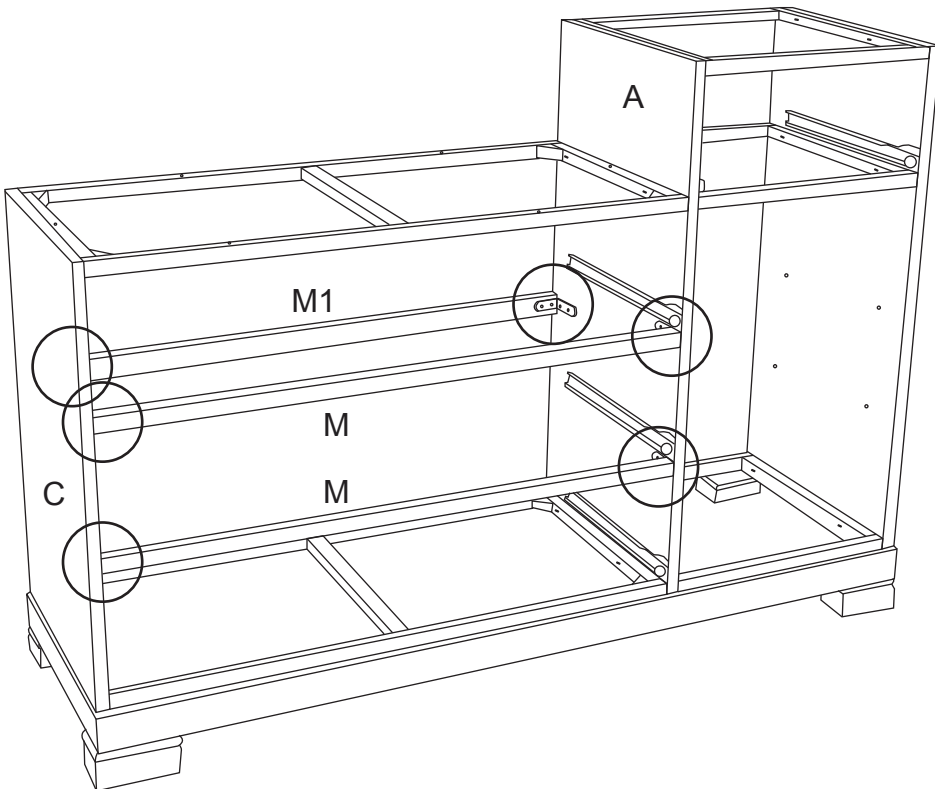


7



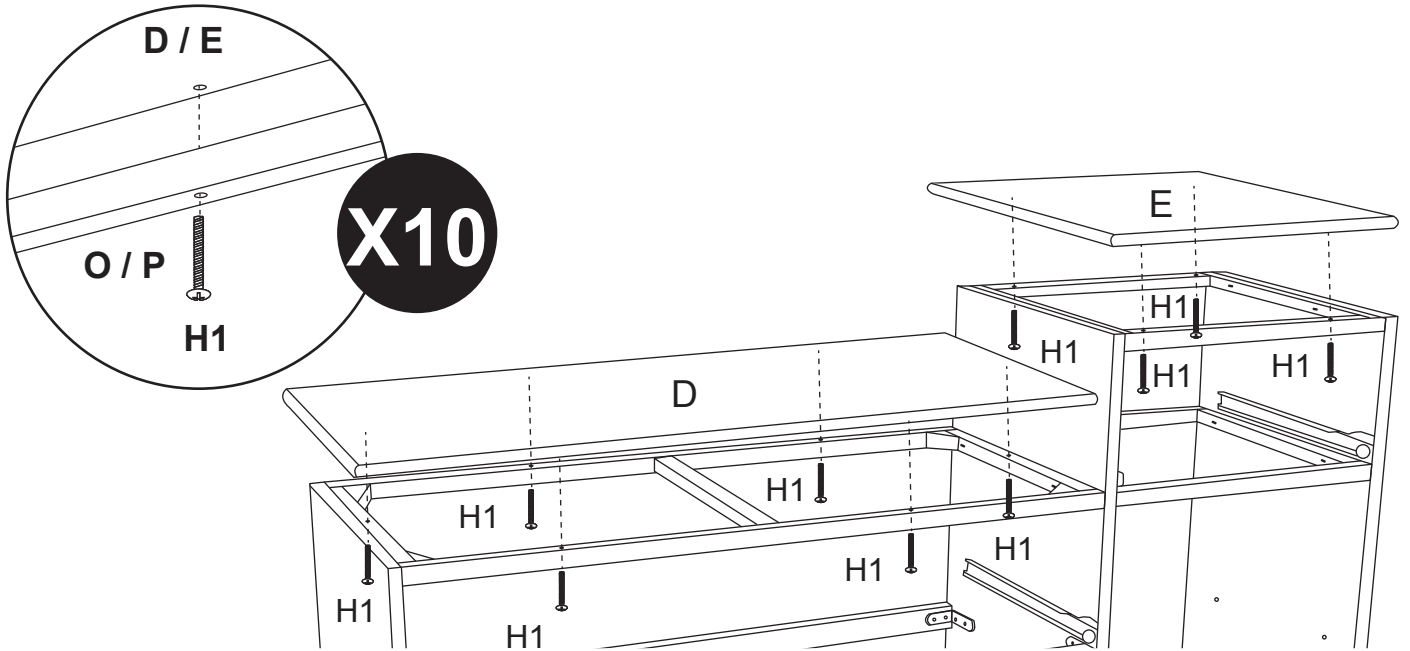
X6

8

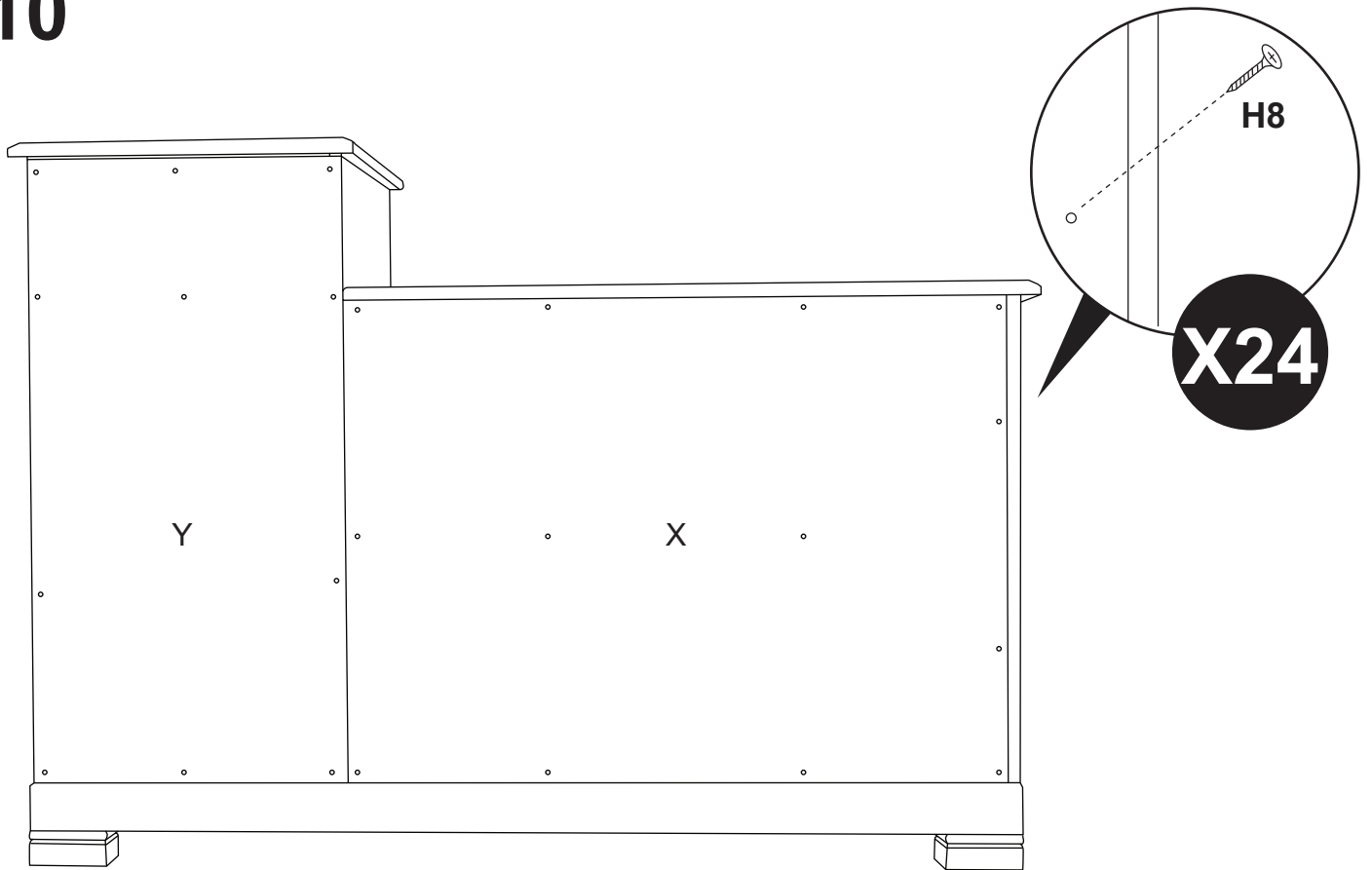


X6

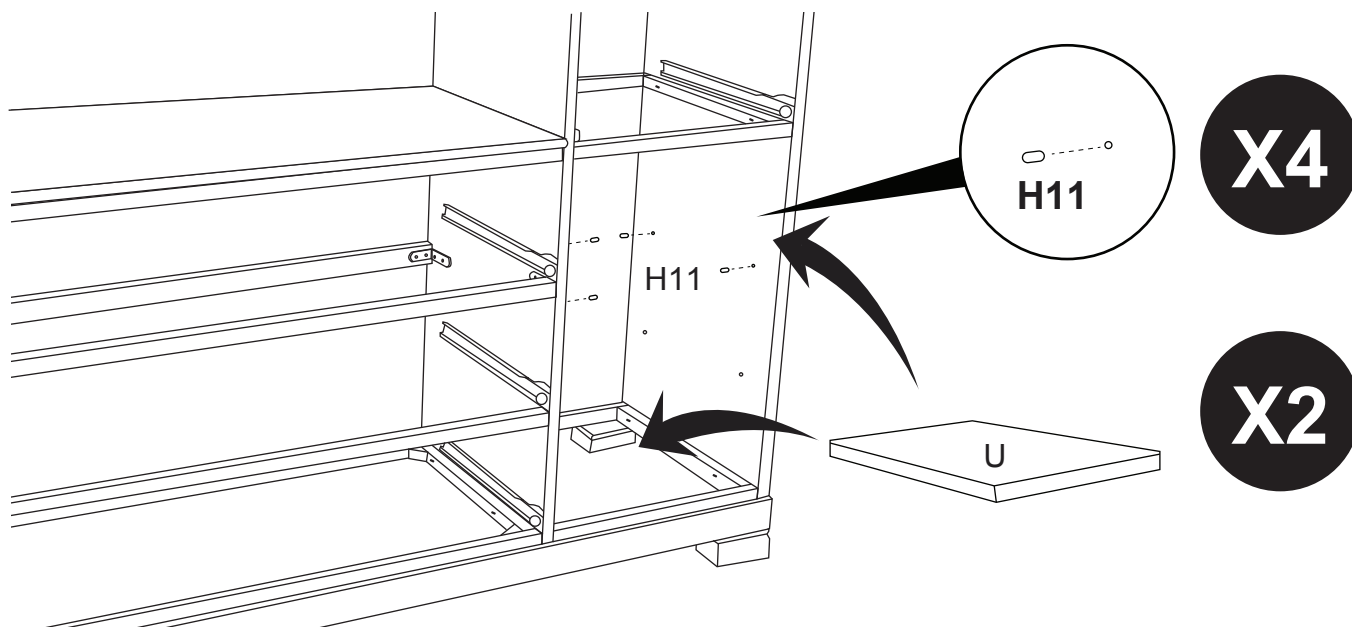
9



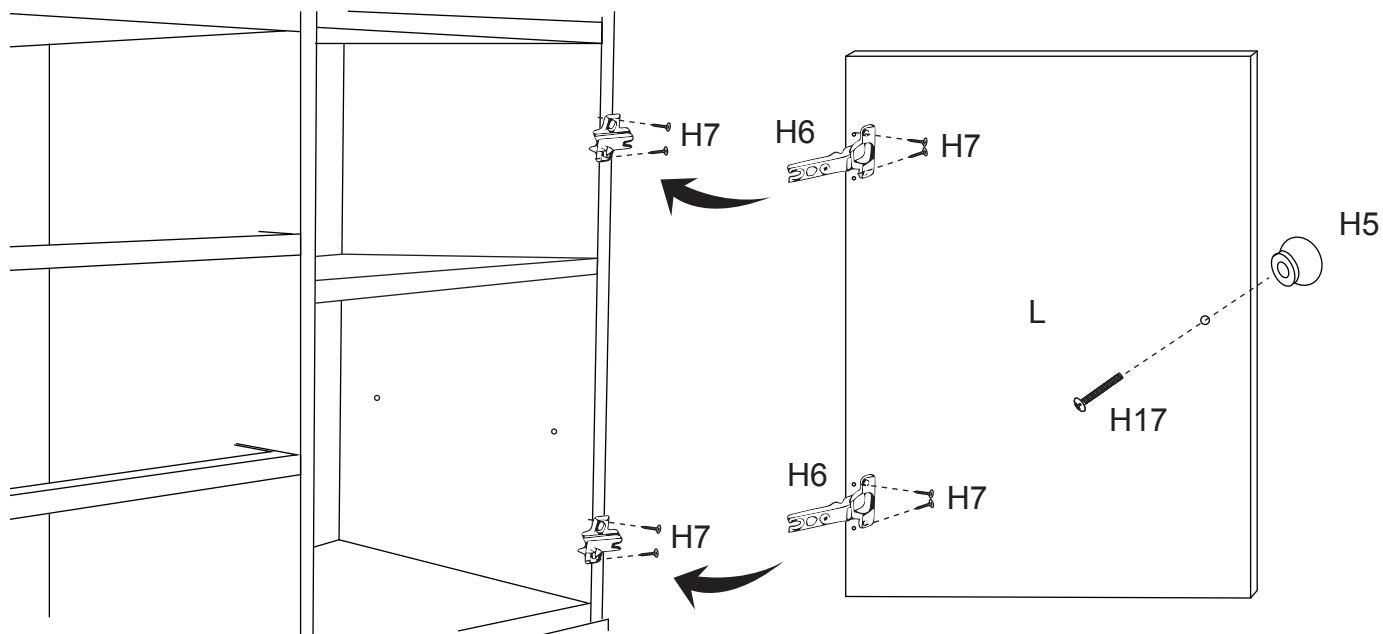
10



11



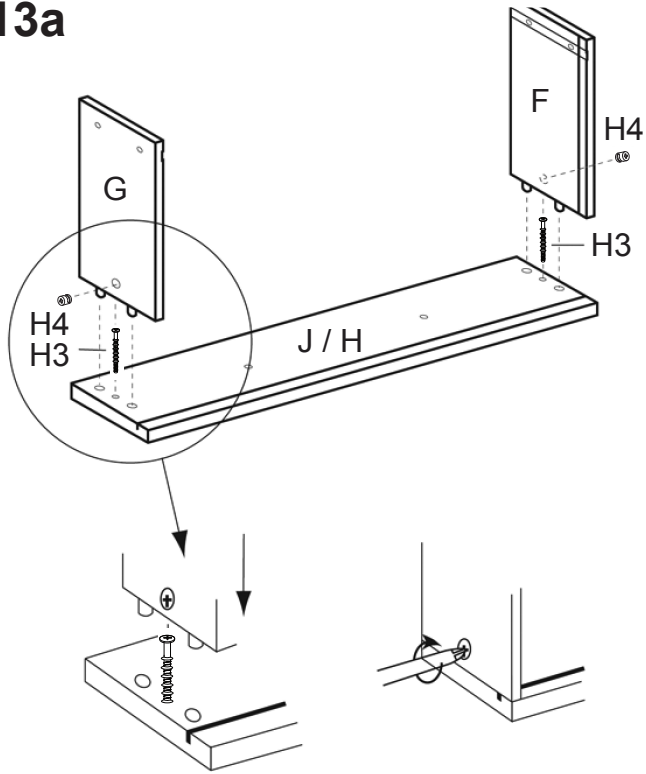
12



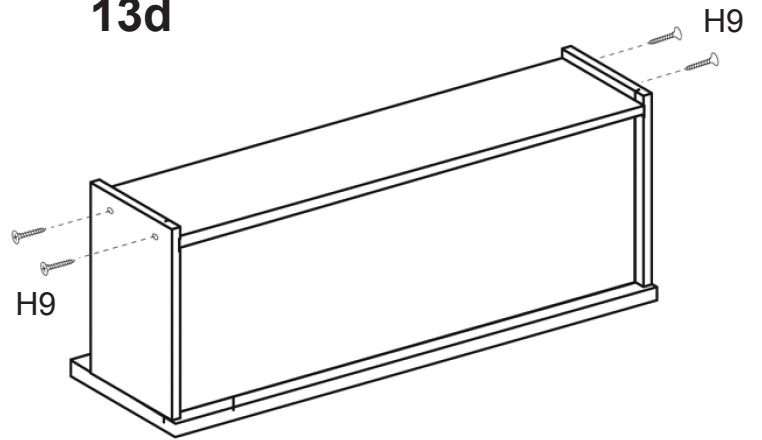
13

DRAWER ASSEMBLY INSTRUCTIONS

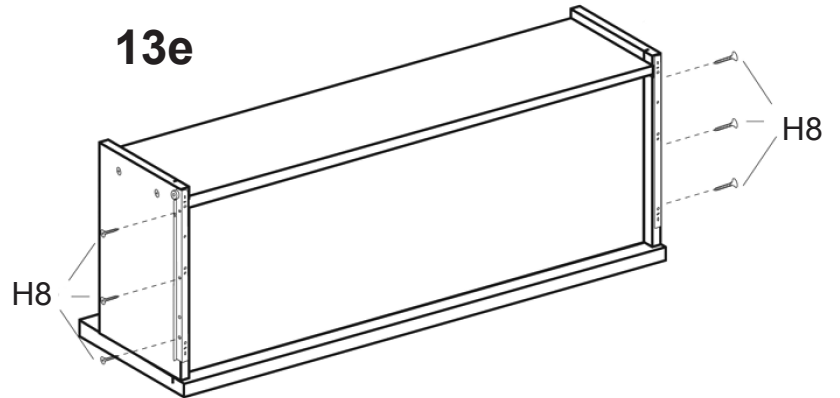
13a



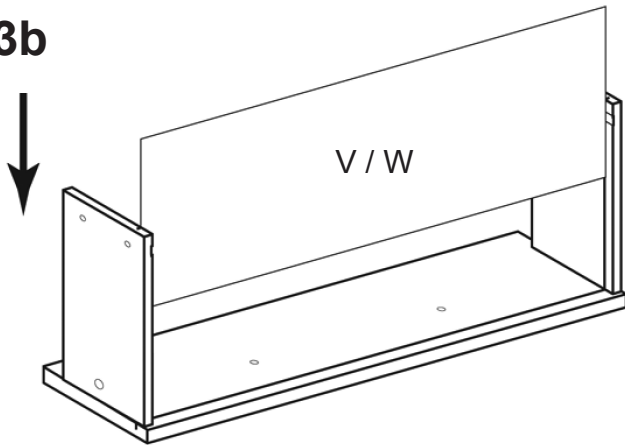
13d



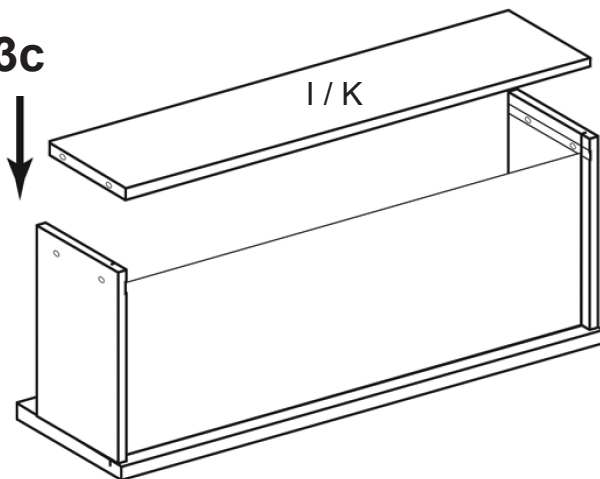
13e



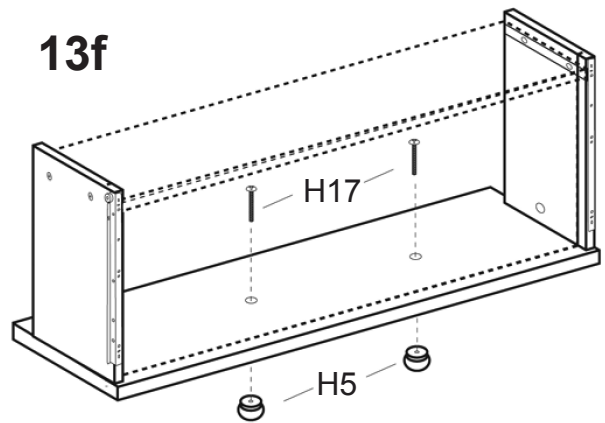
13b



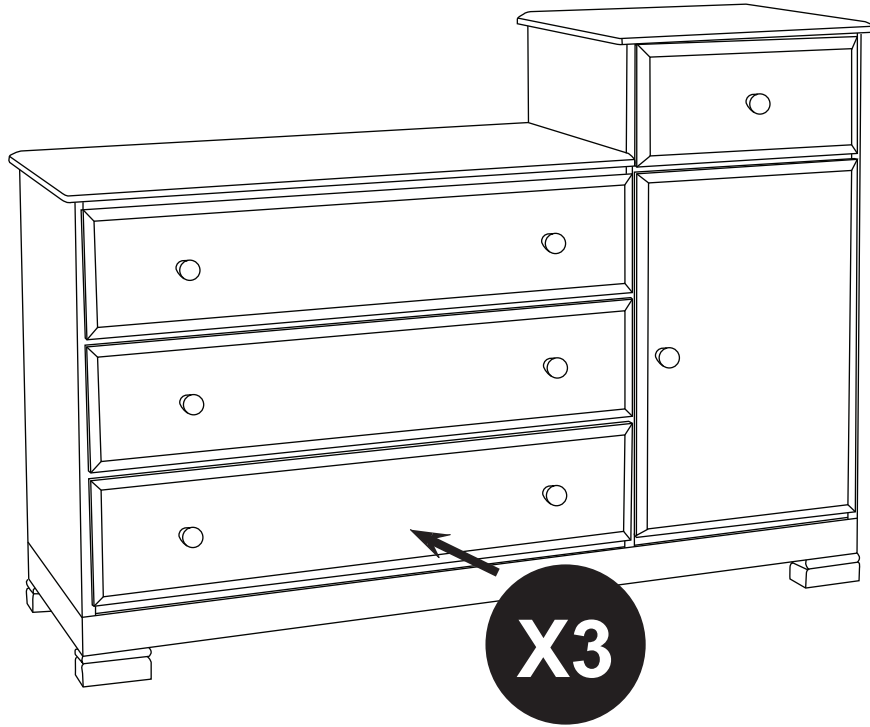
13c



13f



14



* Slide the drawers into the dresser and check that they glide smoothly.

15

FURNITURE ANTI-TIPPING KIT INSTALLATION

Serious or fatal crushing can occur when furniture tips over on children. To help prevent tip-over, follow the steps below to install this anti-tipping strap.



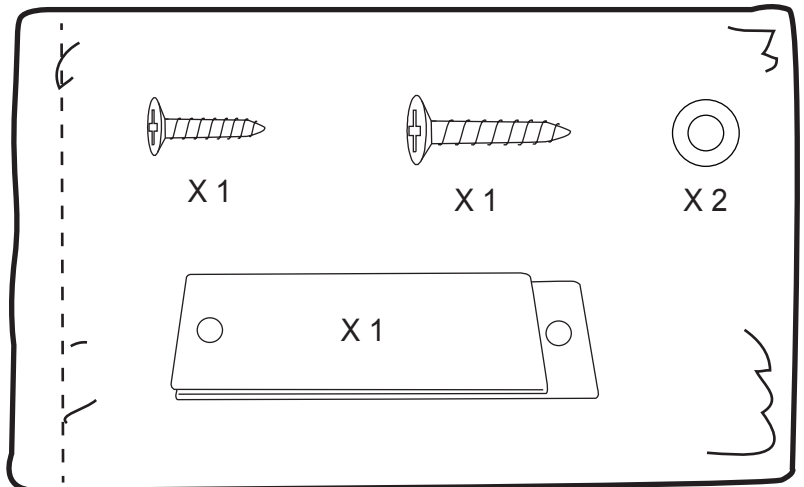
WARNING

Serious or fatal crushing injuries can occur from furniture tip-over. To help prevent tip-over:

- Install tipover restraint provided.
- Place heaviest item in the lowest drawers.
- Unless specifically designed to accommodate, do not set TVs or other heavy objects on top of this product.
- Never allow children to climb or hang on drawers, doors, or shelves.
- Never open more than one drawer at a time. (OR)
- Do not defeat or remove the drawer interlock system.

Use of tip-over restraints may only reduce, but not eliminate, the risk of tip-over.

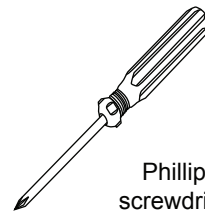
This is permanent label. Do not attempt to remove!



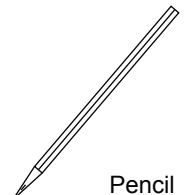
Tools Needed (not included)



Stubby
Screwdriver



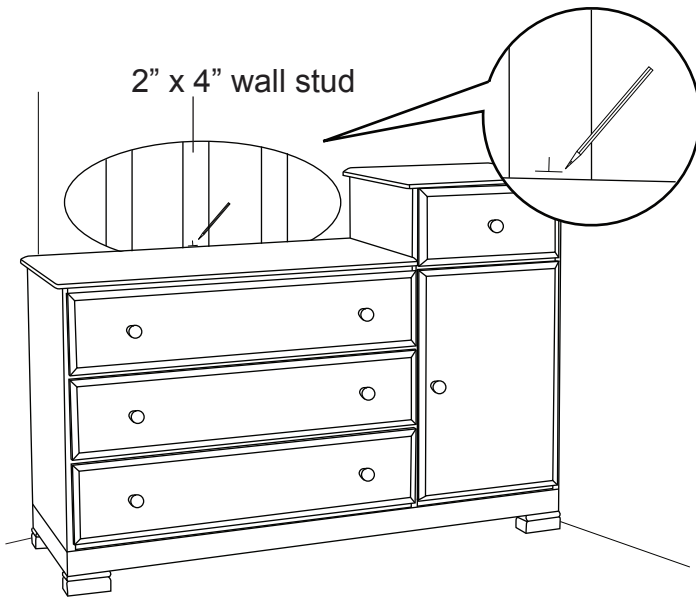
Phillips
screwdriver



Pencil

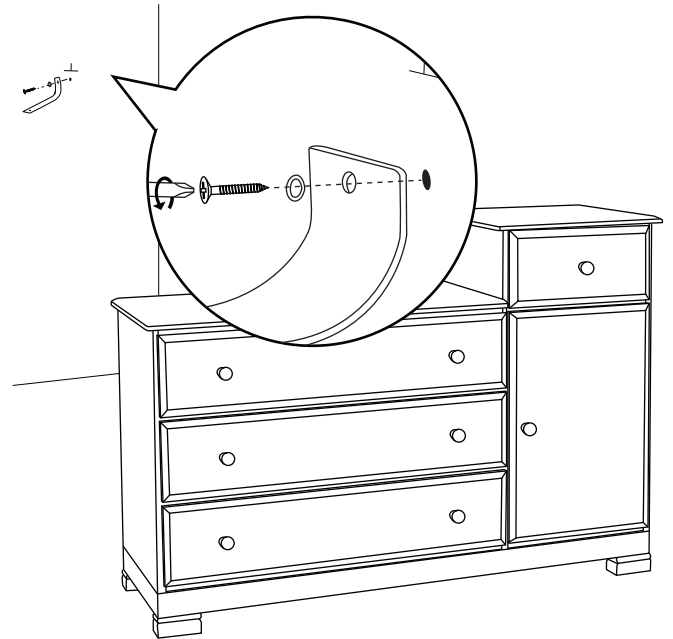
15a

Locate a 2" x 4" stud behind the wall, and make a mark.



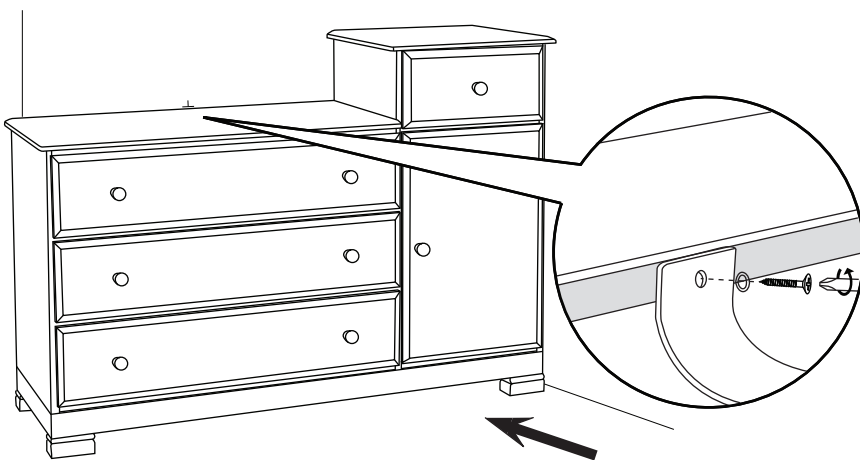
15b

Install the strap on the wall with long screw and washer.



15c

Install the other end of strap on the back of dresser with short screw and washer into the wood framing of the dresser.



IMPORTANT: As with all infant and baby furniture, it is important to check fasteners, screws, and bolts periodically for tightness. Parents should ensure a safe environment for their children by checking the furniture regularly before placing a child in the product.



Finish

KEEP THIS MANUAL IN A SAFE PLACE FOR FUTURE REFERENCE.

Storage:

- Pine woods exchange moisture with the air adjusting to major changes in room temperature and humidity. Therefore, it is best to place your furniture away from heating or air-conditioning vents.
- Sunlight is not friendly to solid wood furniture and prolonged direct exposure to harsh sunlight can discolor the finish. Be careful not to place your furniture in direct sunlight for extended periods of time. As with all your fine furniture, blot up spills immediately.

Care and Cleaning:

- Do not scratch or chip the finish. Do not use abrasive chemicals for cleaning. Clean with mild soap on a damp, soft rag. Rinse and dry thoroughly. If you ever refinish this furniture, be sure to use only a non-toxic finish specified for children's products. If you choose to refinish this furniture, the warranty will be voided.

READ ALL INSTRUCTIONS BEFORE USING THE PRODUCT. KEEP THE INSTRUCTIONS FOR FUTURE USE.

Registering your product is even easier than before. You can register your product on our website at : www.themdbfamily.com

IF YOU WOULD LIKE TO ORDER REPLACEMENT OR MISSING PLEASE VISIT US AT:
WWW.THEMDBFAMILY.COM

OR YOU CAN CONTACT US BY MAIL:
MDB FAMILY
855 WASHINGTON BLVD.
MONTEBELLO, CA 90640