

REVISED INSTRUCTIONS- USE THESE INSTRUCTIONS FOR ASSEMBLY, DISCARD THE INSTRUCTIONS PRINTED ON WHITE PAPER.

Dresser (5155) - Assembly and Operation Manual

Congratulations on purchasing an MDB Family product. This dresser will provide many years of service if you adhere to the following guidelines for assembly, maintenance, and operation. This dresser is for residential use only. Any institutional use is strictly prohibited.

Please be sure to follow the instructions for proper assembly. Use a Phillips head screwdriver for assembling the dresser. Do not use power screwdrivers. All of our dressers are made from natural woods. Please understand that natural woods have color variations which are the result of nature and are not defects in workmanship.

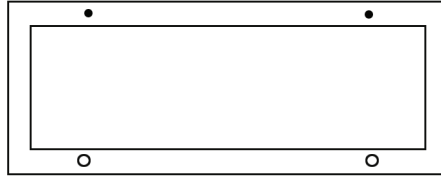
DO NOT SUBSTITUTE PARTS. ALL MODELS HAVE THE SAME QUANTITY OF PARTS AND HARDWARE. YOUR MODEL MAY LOOK DIFFERENT FROM THE ONE ILLUSTRATED DUE TO STYLISTIC VARIATIONS.



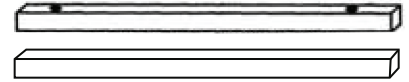
PARTS



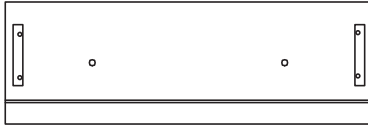
A. Dresser Top



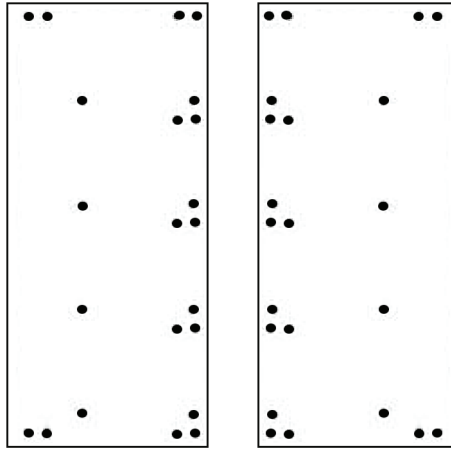
B. Base



C. Top & Bottom Cross Bar
Front Painted (2)
Back Unpainted (2)



H. Drawer Front (4)

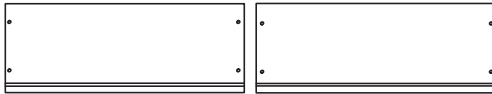


E. Right Panel

F. Left Panel



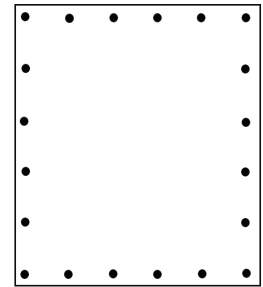
D. Front Cross Bar (3)



J. RT & LT Drawer Sides (8)



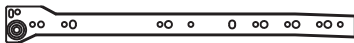
K. Drawer Back (4)



G. Back Panel



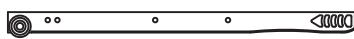
M. Right Panel glide (4)



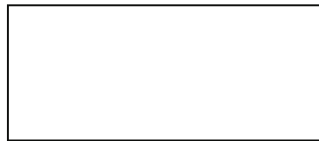
N. Left Panel glide (4)



O. Right drawer glide (4)

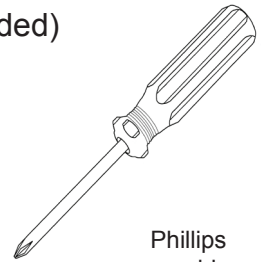


P. Left drawer glide (4)



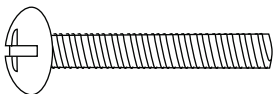
L. Drawer Bottom (4)

Tools Needed (not included)

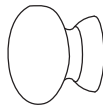


Phillips
screwdriver

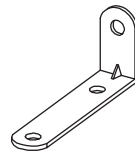
HARDWARE



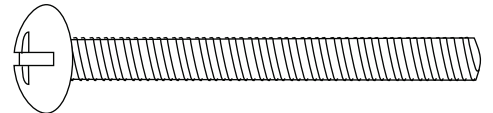
H1. 1 1/4" Phillips
Head Screw (8)



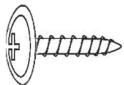
H2. Drawer Knob (8)



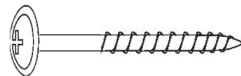
H3. L Bracket (14)



H4. 2 1/4" Phillips Head Screw (8)



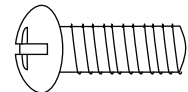
H5. 1/2" Phillips
Head Screw (20)



H6. 1 1/8" Phillips
Head Screw (32)



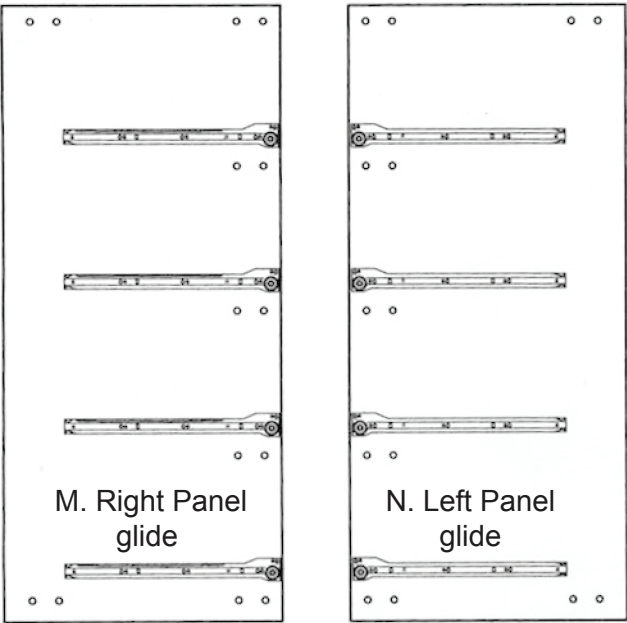
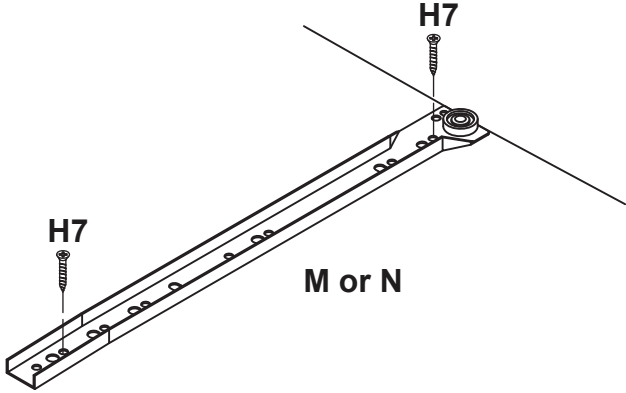
H7. 1/2" Phillips
Head Screw (40)



H8. 3/4" Phillips
Head Screw (42)

STEP 1.

Use three Phillips head screws (H7) to fasten each of the four right panel glides (M) to the right panel (E). Then use three Phillips head screws (H7) to fasten each of the four left panel glides (N) to the left panel (F).

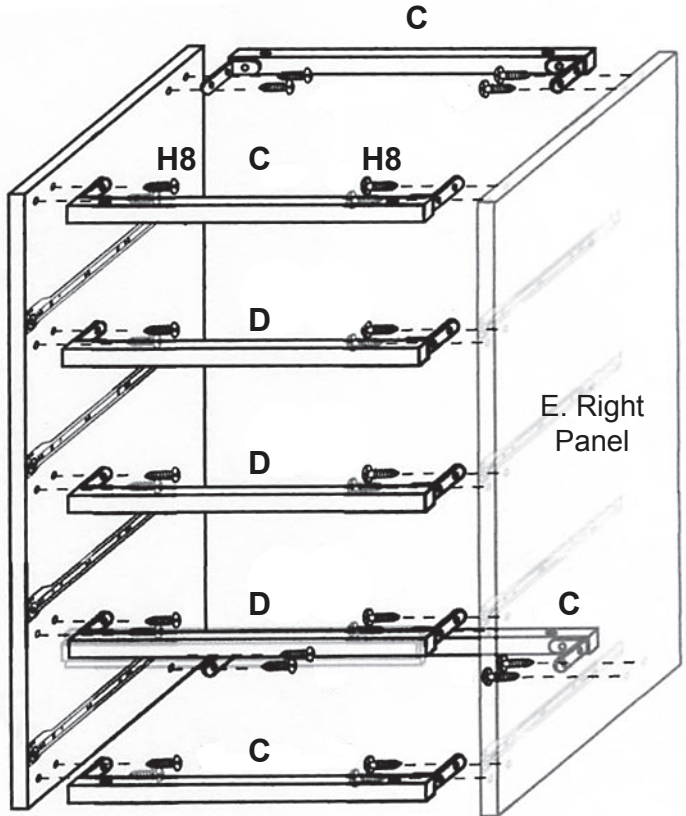
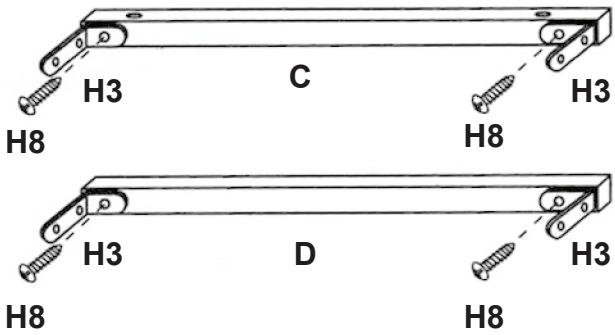


E. Right Panel

F. Left Panel

STEP 2.

Use Phillips head screw (H8) to fasten the L brackets (H3) to the cross bars (C) and (D).



STEP 3.

Using Phillips Head screws (H8) to attach the front and rear cross bars to the left and right panels (E and F). Be sure that the unpainted top and bottom cross bars are placed to the rear.

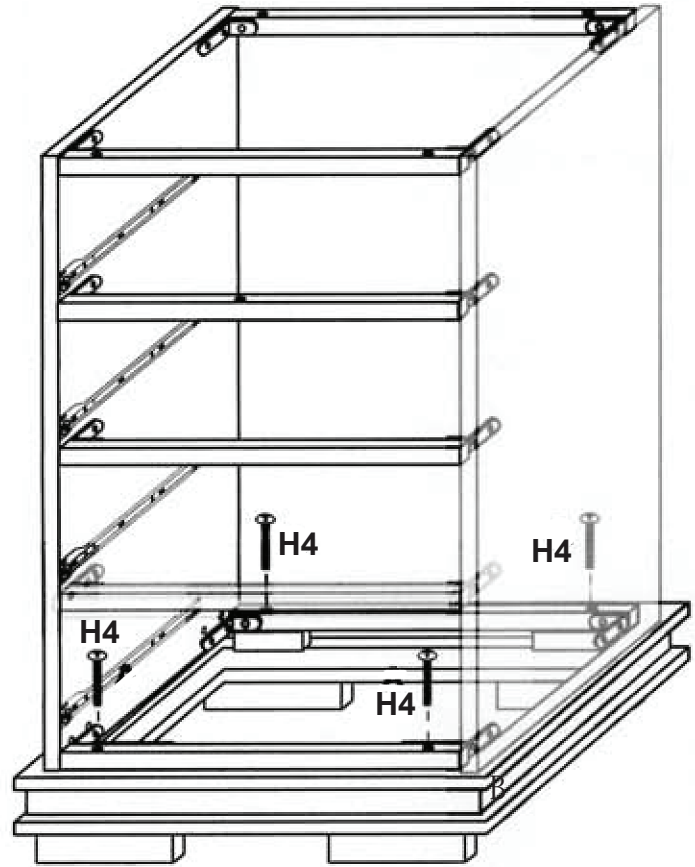
F. Left Panel

STEP 4.

Place the cabinet assembly onto the base (B) and secure it with four Phillips head screws (H4).

PASO 4.

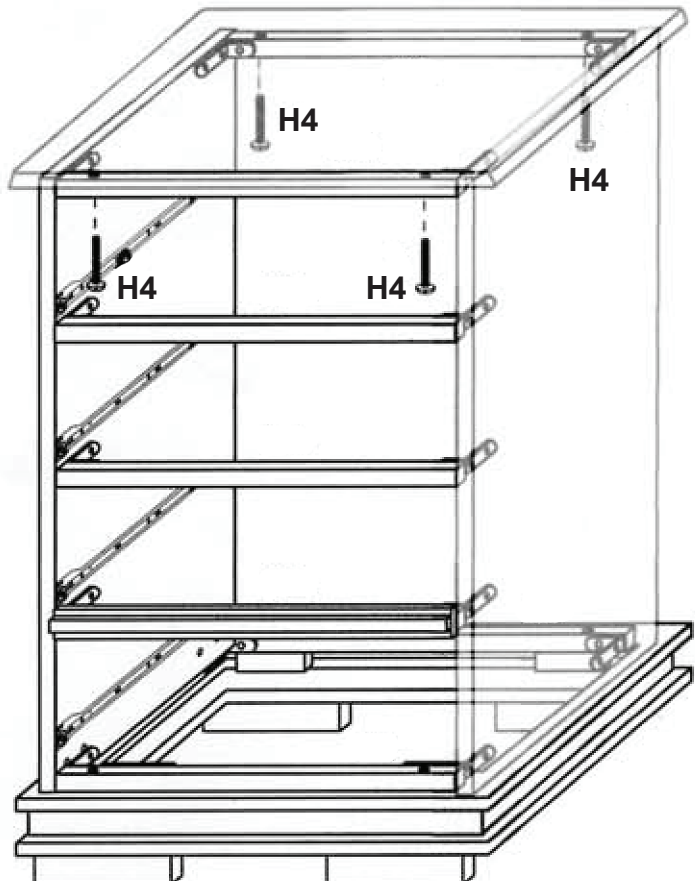
B. Base



A. Dresser Top

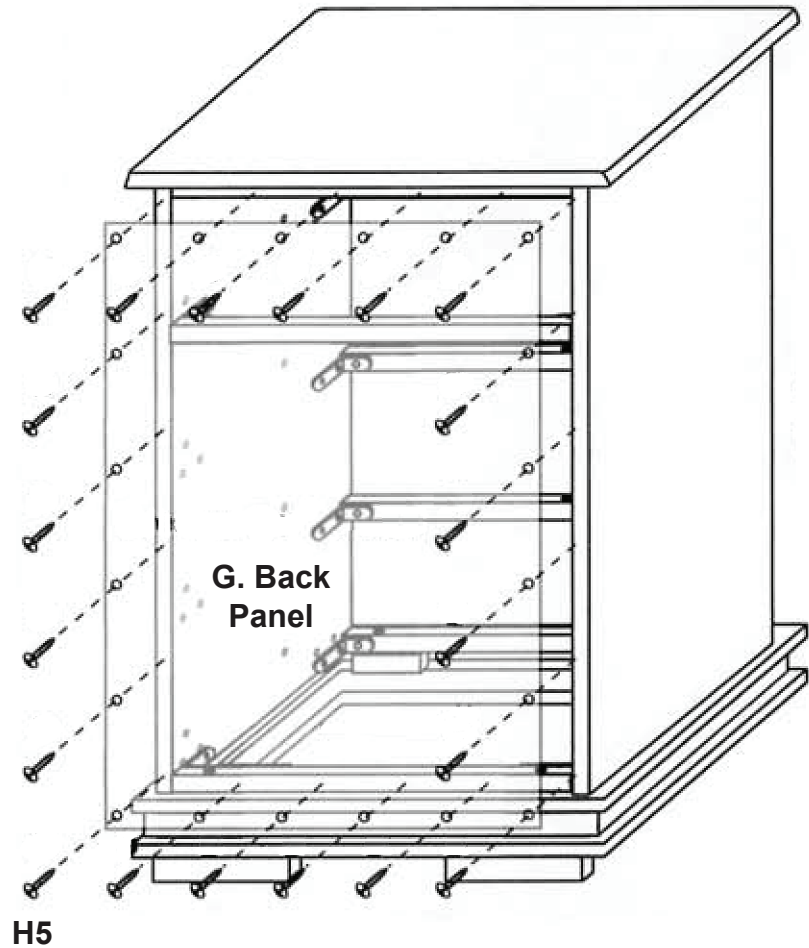
STEP 5.

Place the top (A) on the case assembly and secure it with four Phillips head screws (H4).



STEP 6.

Attach the back panel (G) using the Phillips head screws (H5).

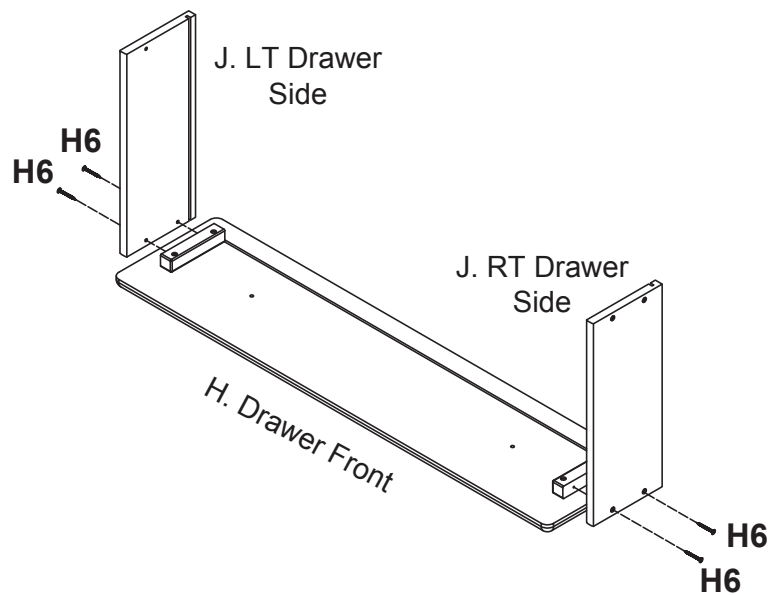


STEP 7.

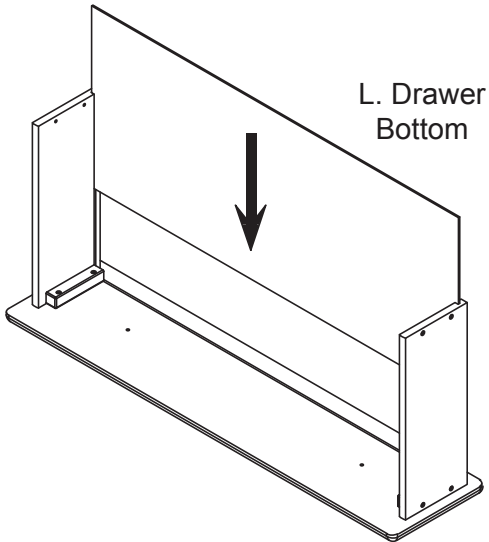
Assemble drawers

All drawers are assembled in the same way.

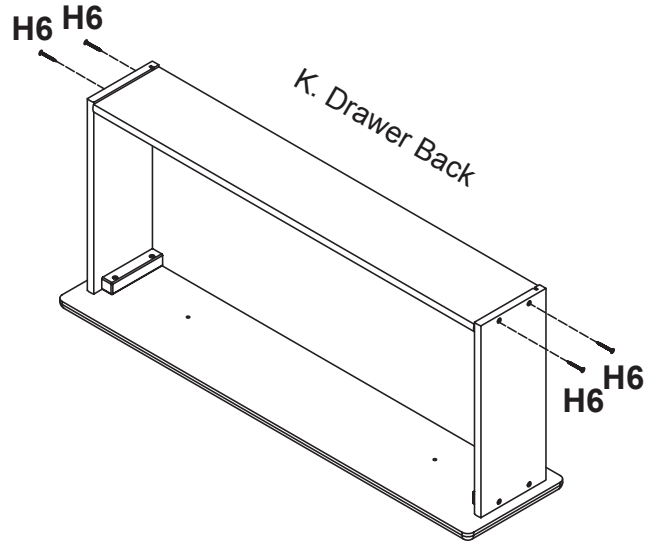
7a.) Attach the RT & LT drawer sides (J) to the drawer fronts (H) using the Phillips head screws (H6).



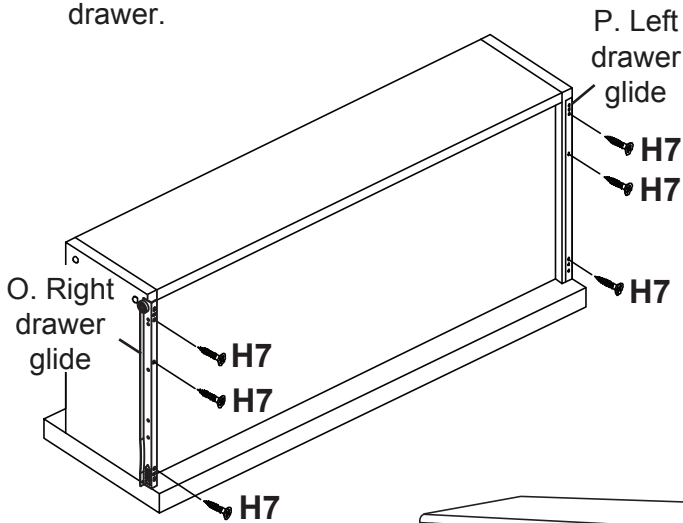
7b.) Slide the drawer bottoms (L) into the grooves in the front (H) and sides (J).



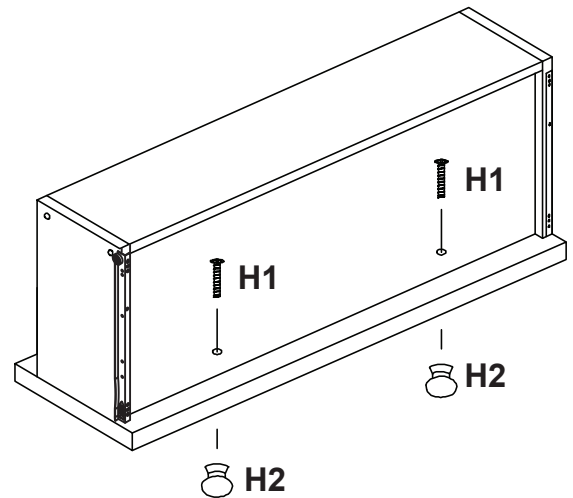
7c.) Place the drawer backs on and fasten them with four Phillips head screws (H6).



7d.) Attach the left (P) and right (O) drawer glides using Phillips head screws (H7). Use three screws for each glide. Be sure the glide wheel is towards the back of the drawer.

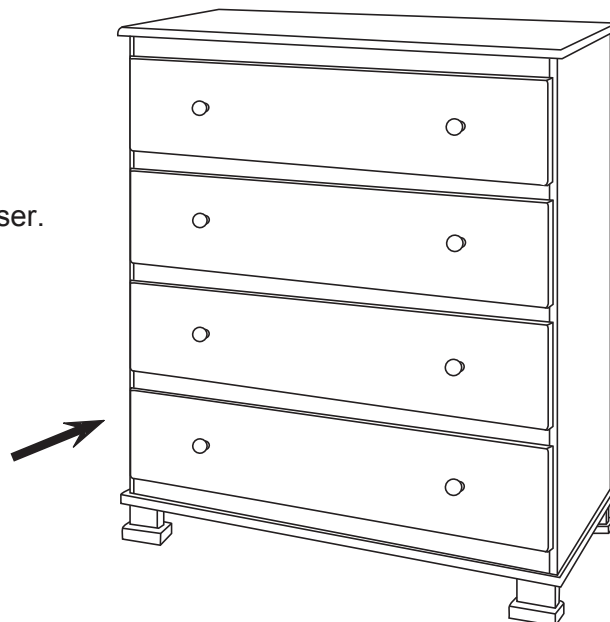


7e.) Attach the knobs (H2) to the drawer fronts (H) using the Phillips head screw (H1).



STEP 8.

Insert drawers to the dresser.



STEP 9.

FURNITURE ANTI-TIPPING KIT INSTALLATION

Serious or fatal crushing can occur when furniture tips over on children. To help prevent tip-over, follow the steps below to install this anti-tipping strap.



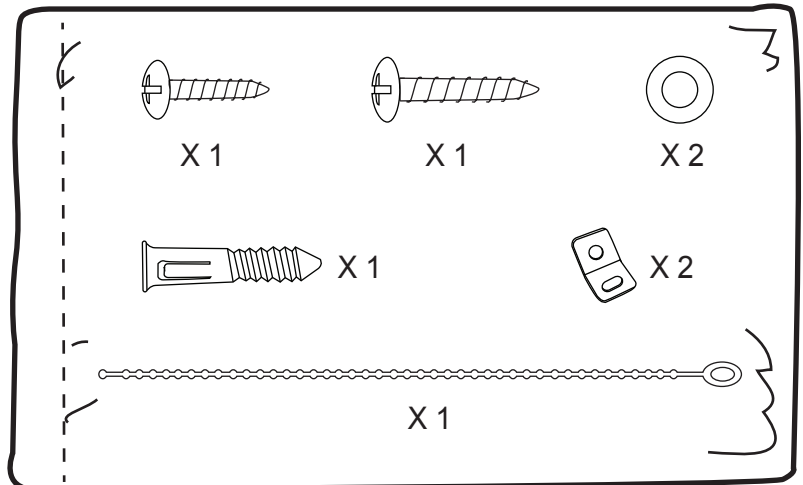
WARNING

Serious or fatal crushing injuries can occur from furniture tip-over. To help prevent tip-over:

- Place heaviest item in the lowest drawers.
- Unless specifically designed to accommodate, do not set TVs or other heavy objects on top of this product.
- Never allow children to climb or hang on drawers, doors, or shelves.
- Never open more than one drawer at a time. (OR)
- Do not defeat or remove the drawer interlock system.

Use of tip-over restraints may only reduce, but not eliminate, the risk of tip-over.

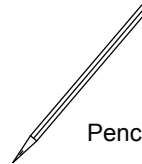
This is permanent label. Do not attempt to remove!



Tools Needed (not included)



Stubby
Screwdriver

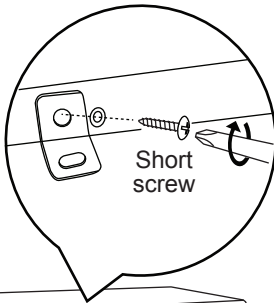


Pencil

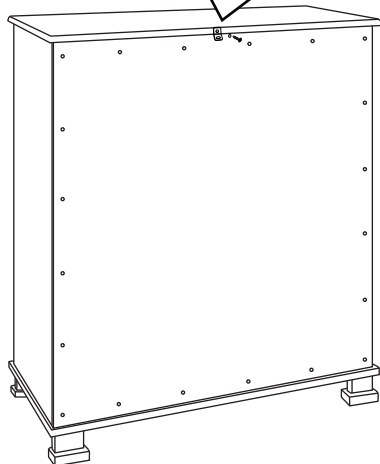


Phillips
screwdriver

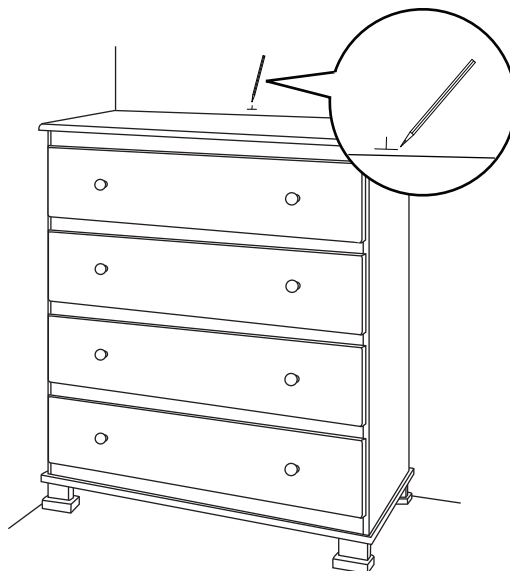
9A



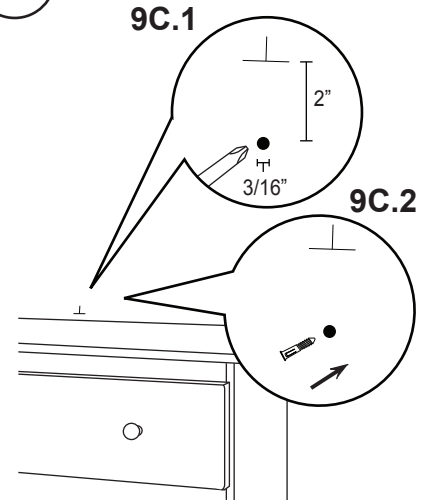
Short
screw



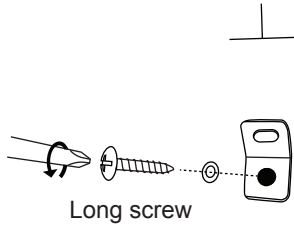
9B



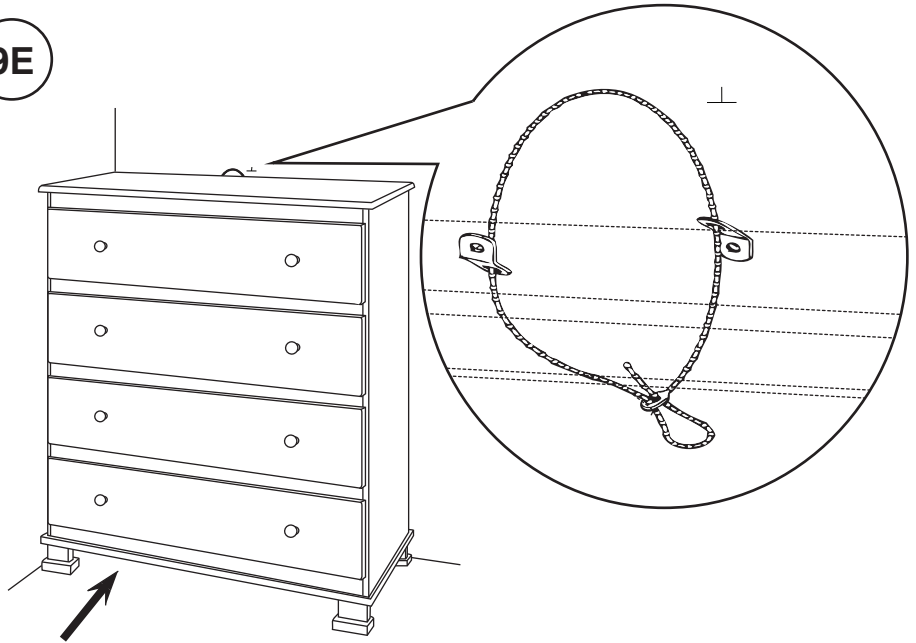
9C



9D



9E



**READ ALL INSTRUCTIONS BEFORE
USING THE PRODUCT. KEEP THE
INSTRUCTIONS FOR FUTURE USE.**

KEEP THIS MANUAL IN A SAFE
PLACE FOR FUTURE REFERENCE.

