

## 4 Drawer Dresser (5922) - Assembly and Operation Manual

Congratulations on purchasing an MDB Family product. This product will provide many years of service if you adhere to the following guidelines for assembly, maintenance and operation. This product is for residential use only. Any institutional use is strictly prohibited.

Please be sure to follow the instructions for proper assembly. Use a Phillips head screwdriver for assembling the product in addition to the Allen wrench included in the hardware box. Do not use power screwdrivers. All of our products are made from natural woods. Please understand that natural woods have color variations which are the result of nature and not defects in workmanship.

DO NOT SUBSTITUTE PARTS. ALL MODELS HAVE THE SAME QUANTITY OF PARTS AND HARDWARE. YOUR MODEL MAY LOOK DIFFERENT FROM THE ONE ILLUSTRATED DUE TO STYLISTIC VARIATIONS.



# PARTS



A. Back Boards x2



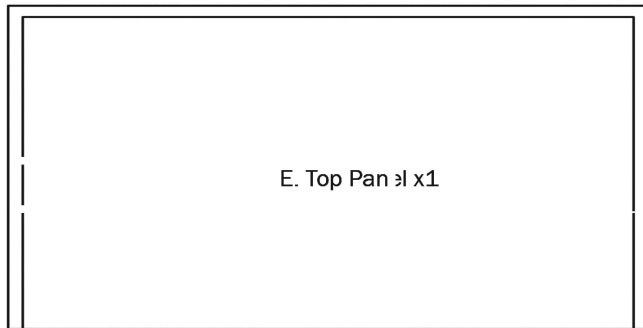
B. Rear Mid-Support Panel x1



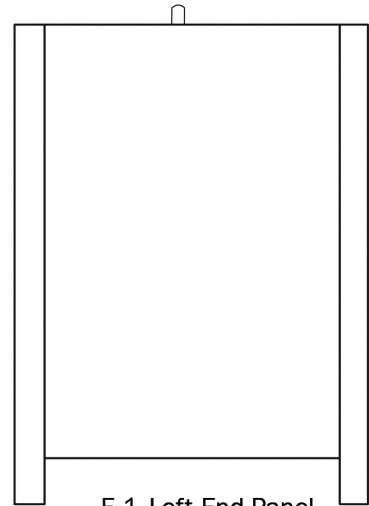
C. Rear Top/Bottom Support Panel x2



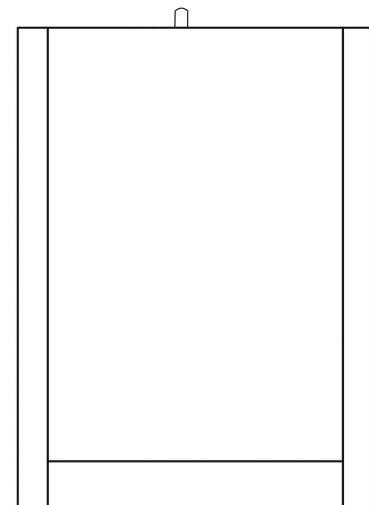
D. Front Bottom Support Panel x1



E. Top Panel x1



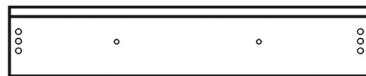
F-1. Left End Panel



F-2. Right End Panel



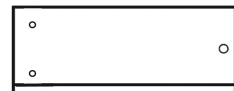
G. Drawer Board x4



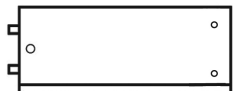
I. Drawer Front x4



J. Drawer Back x4



K. Drawer Right x4

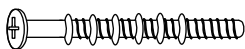


L. Drawer Left x4

**WARNING:** USING ANY POWER TOOLS TO ASSEMBLE THIS FURNITURE MAY POTENTIALLY STRIP THE WOOD. DO NOT USE.

## Hardware

**Tools required: Phillips screwdriver, Flat-head screwdriver.**



H1. Cam Bolts X 18



H2. Cam Locks X 18



H3. Knobs x8



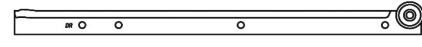
H4. Knob Screws x8



H5. Small Wood Screw X 68



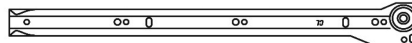
H7. Right Panel Glide x 4



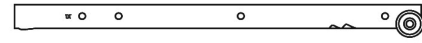
H8. Right Drawer Glide x4



H6. Large Wood Screw x16

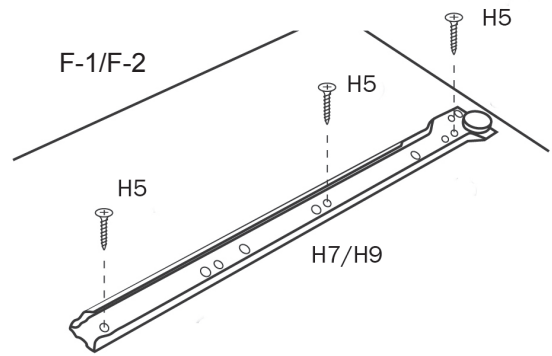
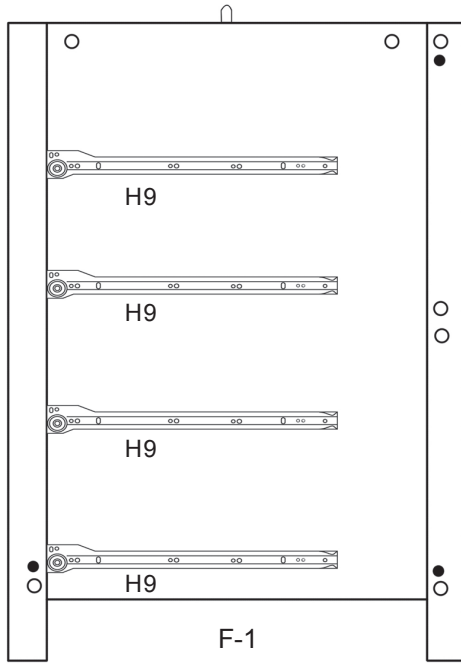


H9. Left Panel Glide x 4



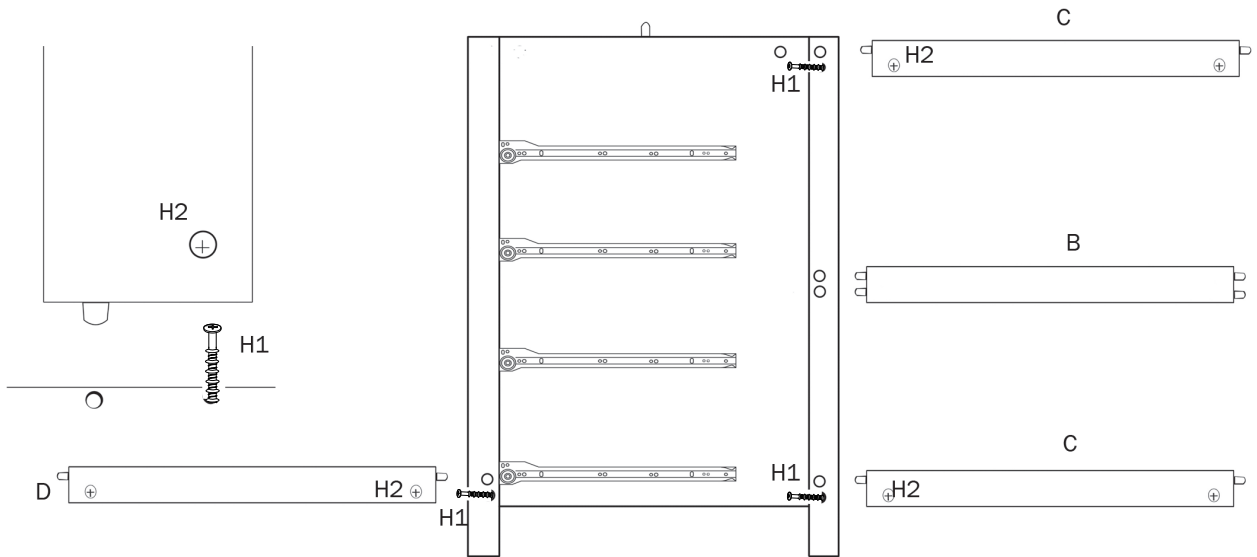
H10. Left Drawer Glide x4

# 1



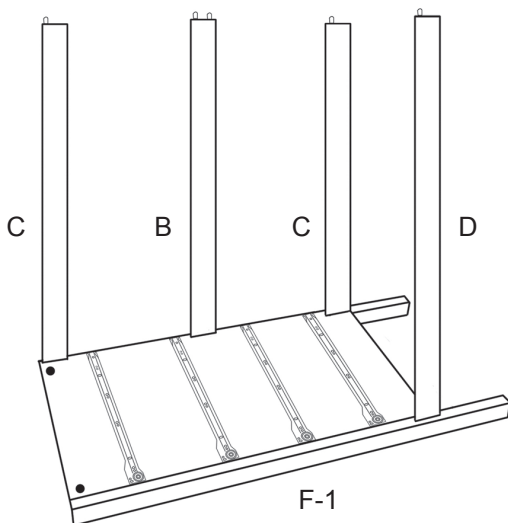
Attach left panel glides (H9) to left end panel (F) and right panel glides (H7) to right end panel using small wood screws (H5).

# 2

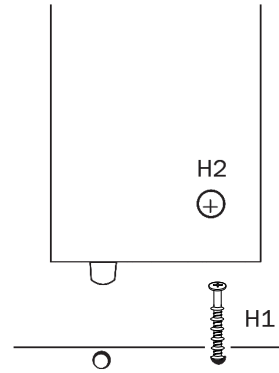
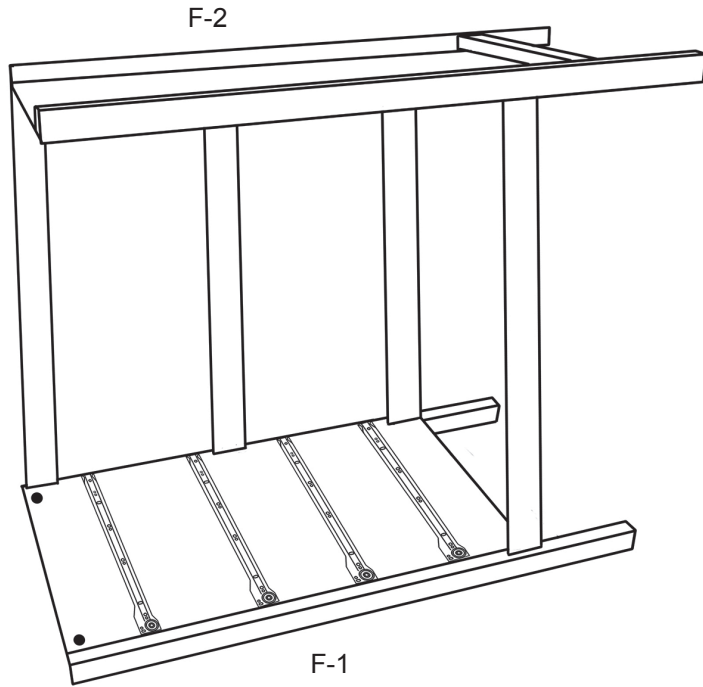


Screw in 3 cam bolts (H1) to each end panel (F).

Attach rear mid-support panel (B), rear top and bottom support panels (C), and front bottom support panel (D) to left end panel. Tighten using cam locks (H2).



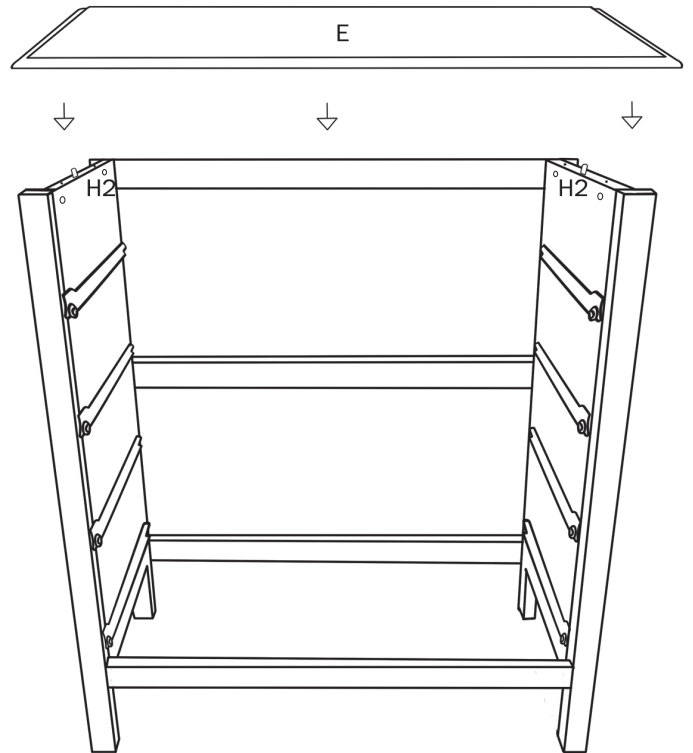
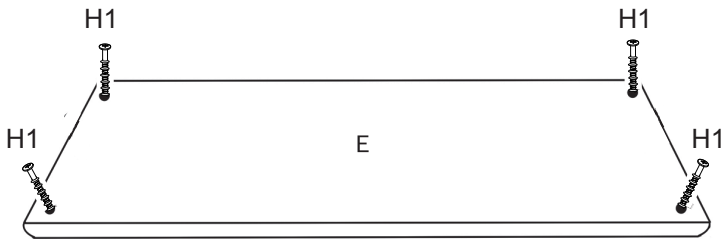
# 3



Attach right end panel to support panels B, C, and D.

Use cam locks (H2) to fasten.

# 4

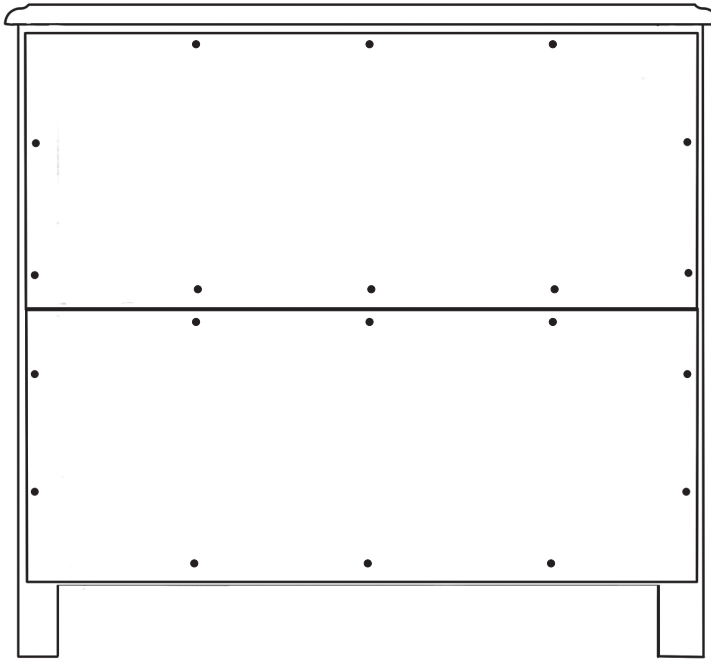


Screw in 4 cam bolts (H1) to top panel (E).

Mount top panel to assembled dresser and tighten using cam locks (H2).

# 5

back view



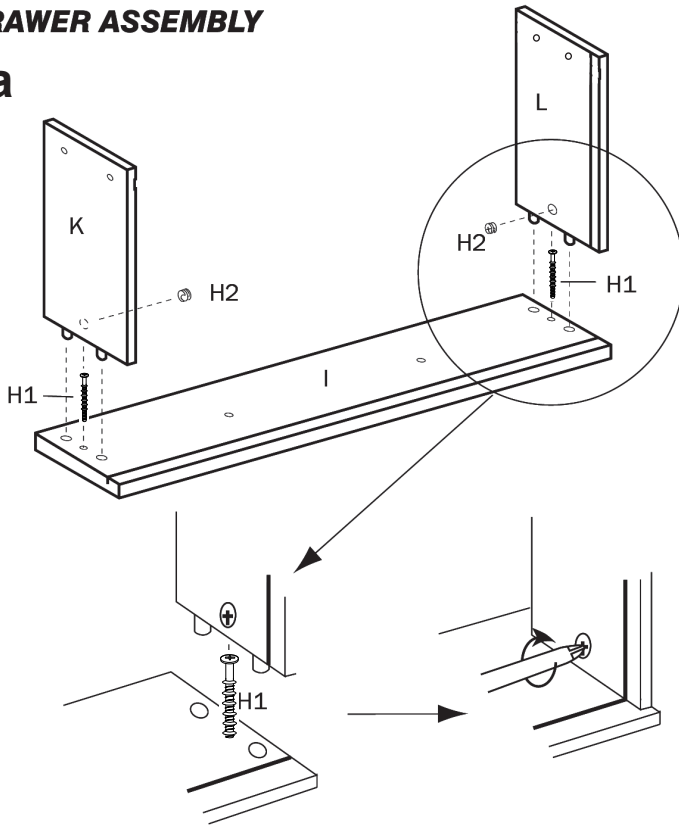
Step 5:  
With small wood screws (H5) install  
back boards A.

*Position of screws are specified in  
the illustration.*

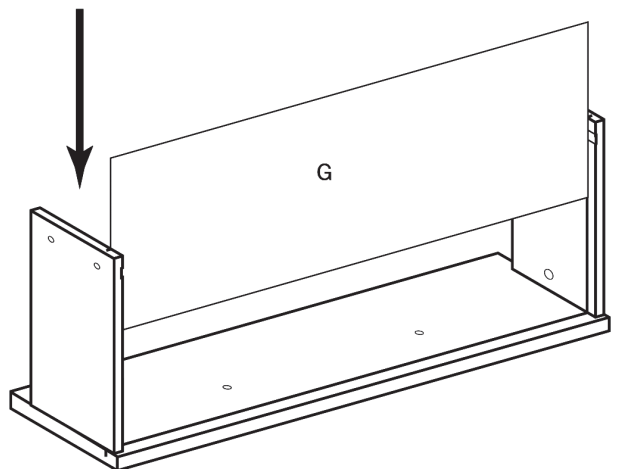
# 6

## DRAWER ASSEMBLY

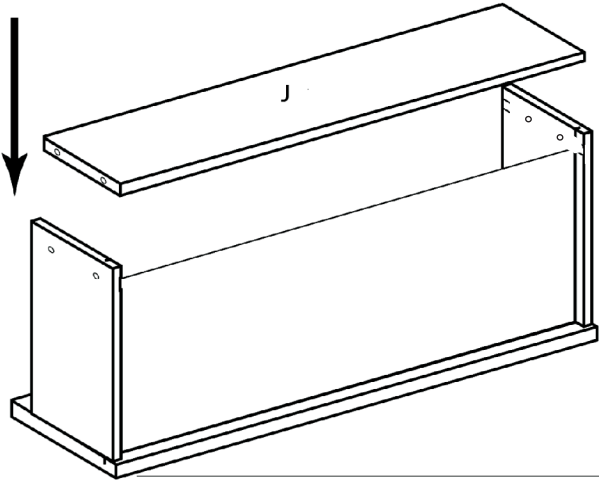
6a



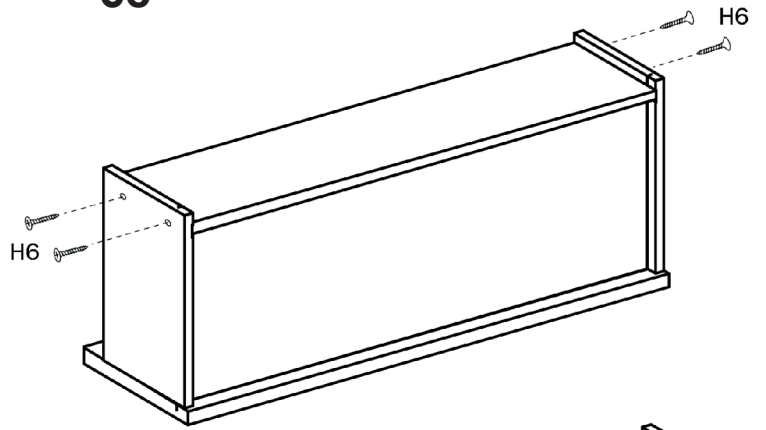
6b



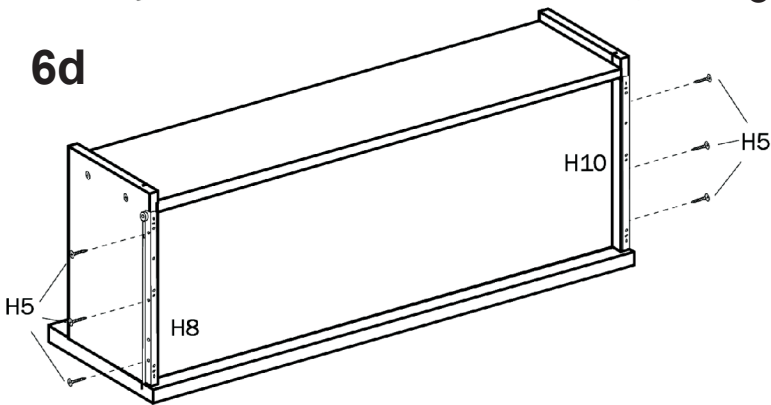
6c



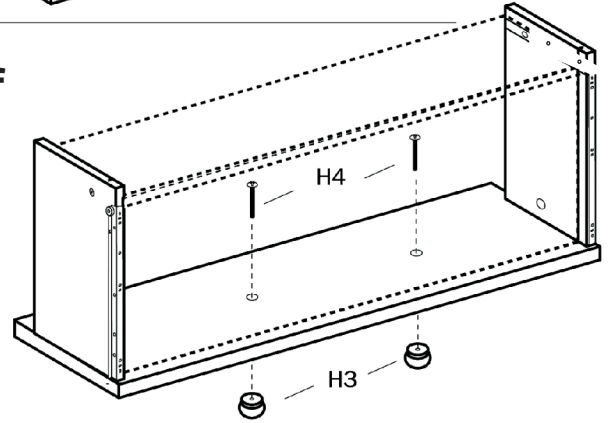
6e



6d



6f



7



\* Slide the drawers into the dresser and check that they glide smoothly.

# 8

## FURNITURE ANTI-TIPPING KIT INSTALLATION

Serious or fatal crushing can occur when furniture tips over on children. To help prevent tip-over, follow the steps below to install this anti-tipping strap.



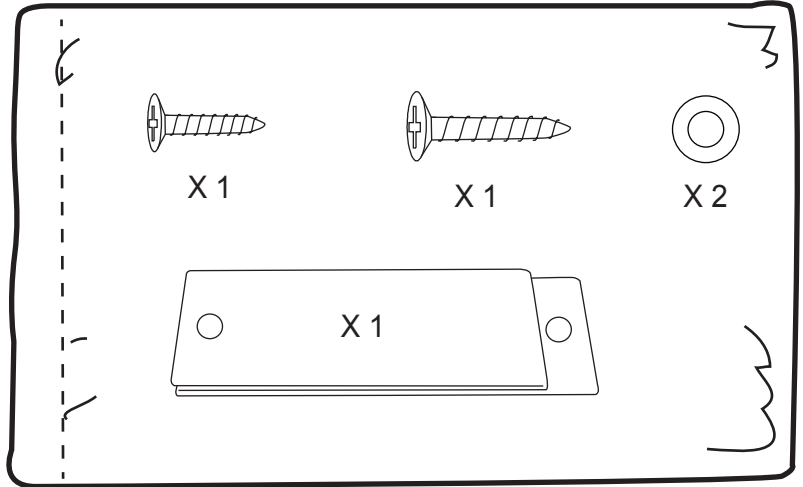
### WARNING

**Serious or fatal crushing injuries can occur from furniture tip-over. To help prevent tip-over:**

- Place heaviest item in the lowest drawers.
  - Unless specifically designed to accommodate, do not set TVs or other heavy objects on top of this product.
  - Never allow children to climb or hang on drawers, doors, or shelves.
  - Never open more than one drawer at a time.
- (OR)
- Do not defeat or remove the drawer interlock system.

**Use of tip-over restraints may only reduce, but not eliminate, the risk of tip-over.**

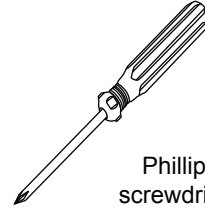
This is permanent label. Do not attempt to remove!



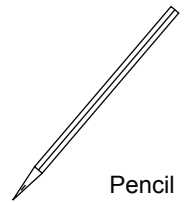
### Tools Needed (not included)



Stubby  
Screwdriver



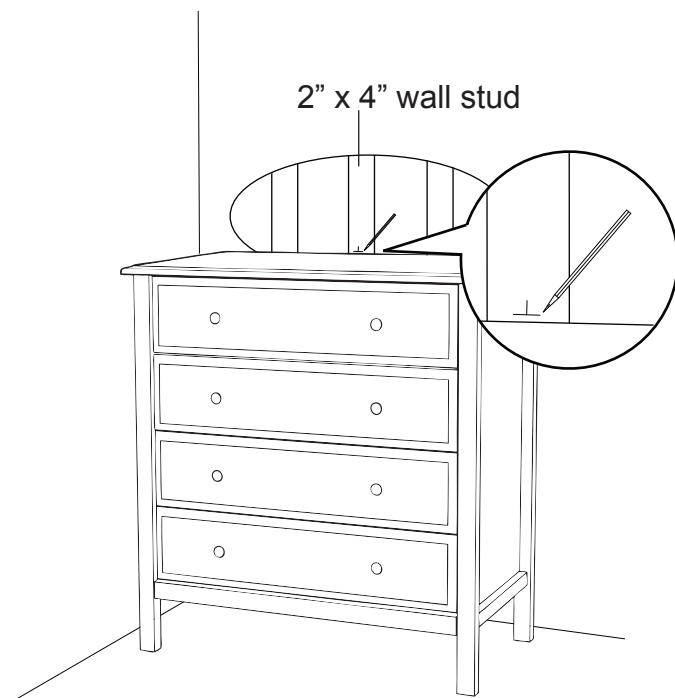
Phillips  
screwdriver



Pencil

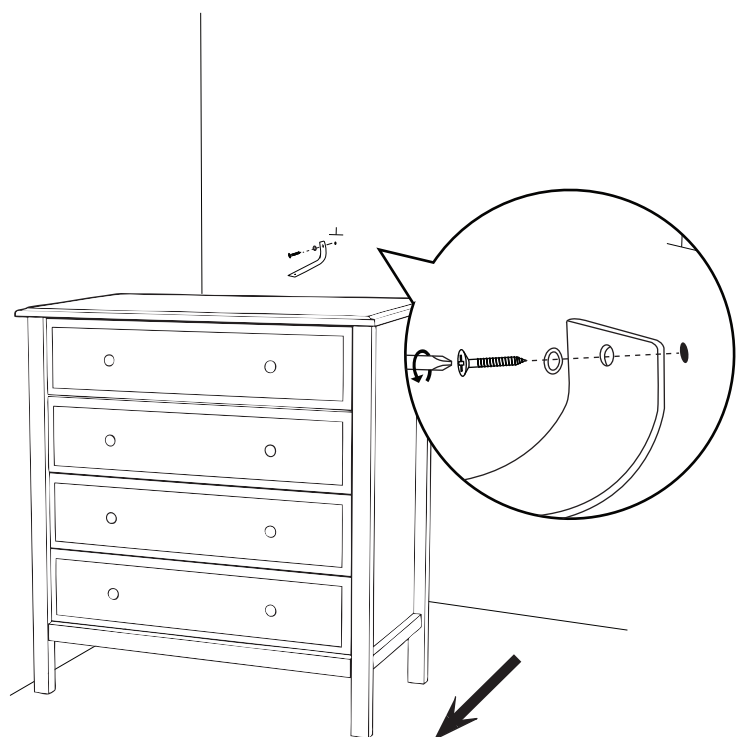
### 8a

Locate a 2" x 4" stud behind the wall, and make a mark.



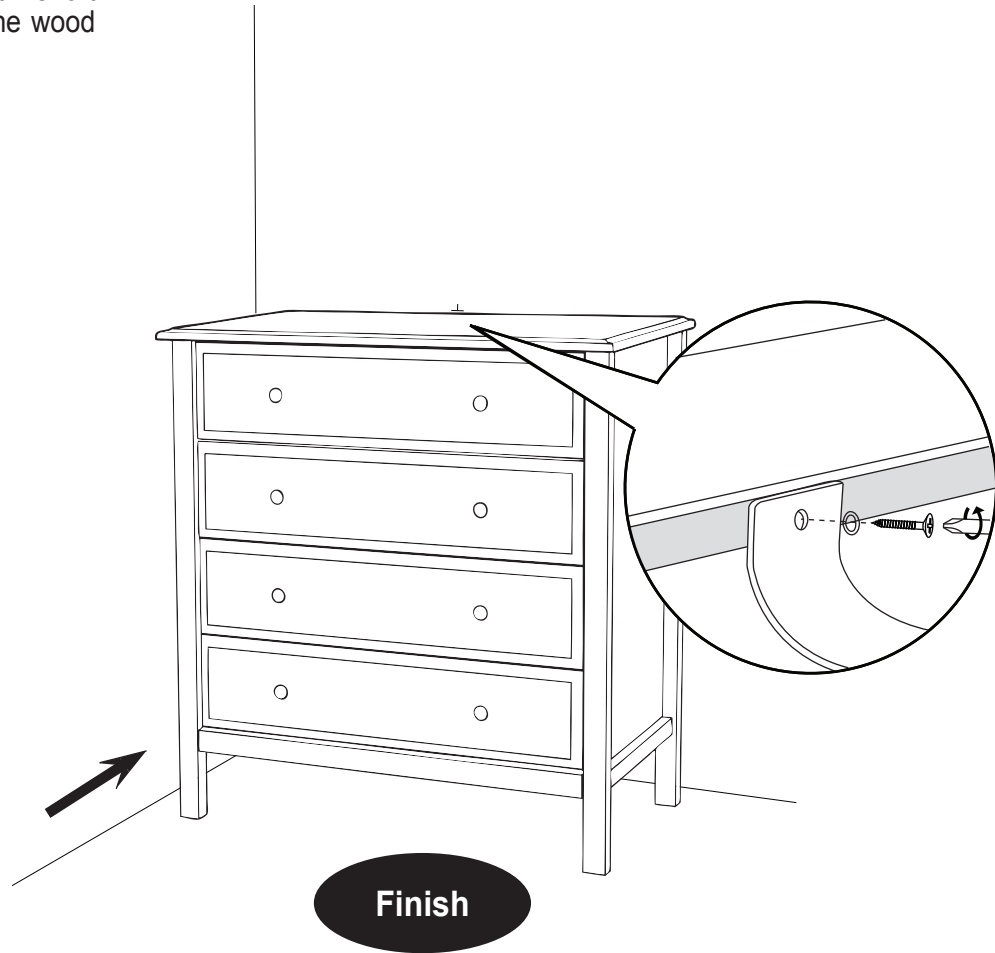
### 8b

Install the strap on the wall with long screw and washer.



## 8c

Install the other end of strap on the back of dresser with short screw and washer into the wood framing of the dresser.



KEEP THIS MANUAL IN A SAFE PLACE FOR FUTURE REFERENCE.

**READ ALL INSTRUCTIONS BEFORE USING THE PRODUCT.  
KEEP THE INSTRUCTIONS FOR FUTURE USE.**

### **Storage:**

Pine woods exchange moisture with the air adjusting to major changes in room temperature and humidity. Therefore it is best to place your furniture away from heating or air-conditioning vents.

Sunlight is not friendly to solid wood furniture and prolonged direct exposure to harsh sunlight can discolor the finish. Be careful not to place your furniture in direct sunlight for extended periods of time.

As with all your fine furniture, blot up spills immediately.

### **Care and Cleaning:**

Do not scratch or chip the finish. Do not use abrasive chemicals for cleaning. Clean with mild soap on a soft rag. rinse and dry thoroughly. If you ever refinish this furniture, be sure to use only a non-toxic finish specified for children's products. If you choose to refinish this furniture, the warranty will be voided.

**IMPORTANT:** As with all infant and baby furniture, it is important to check fasteners, screws, and bolts periodically for tightness. Parents should ensure a safe environment for their children by checking the furniture regularly before placing a child in the product.

This item has a manufacturer's limited one year warranty.  
Visit our web site at [www.themdbfamily.com](http://www.themdbfamily.com) for more information.