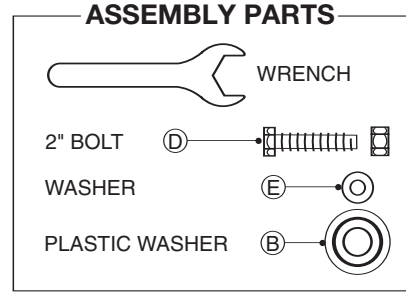
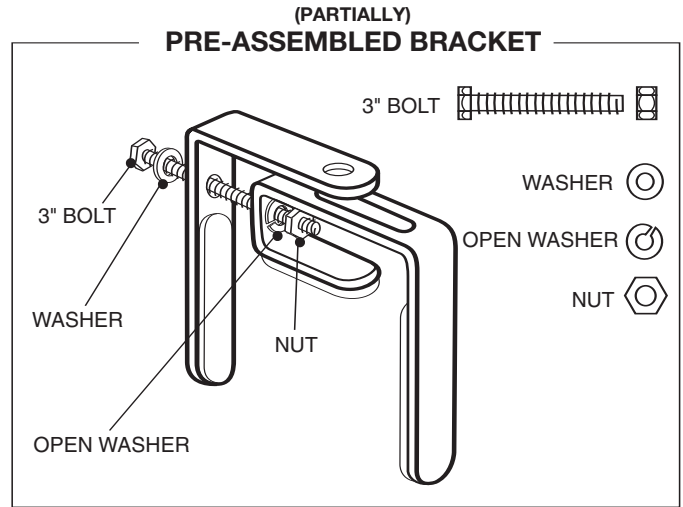
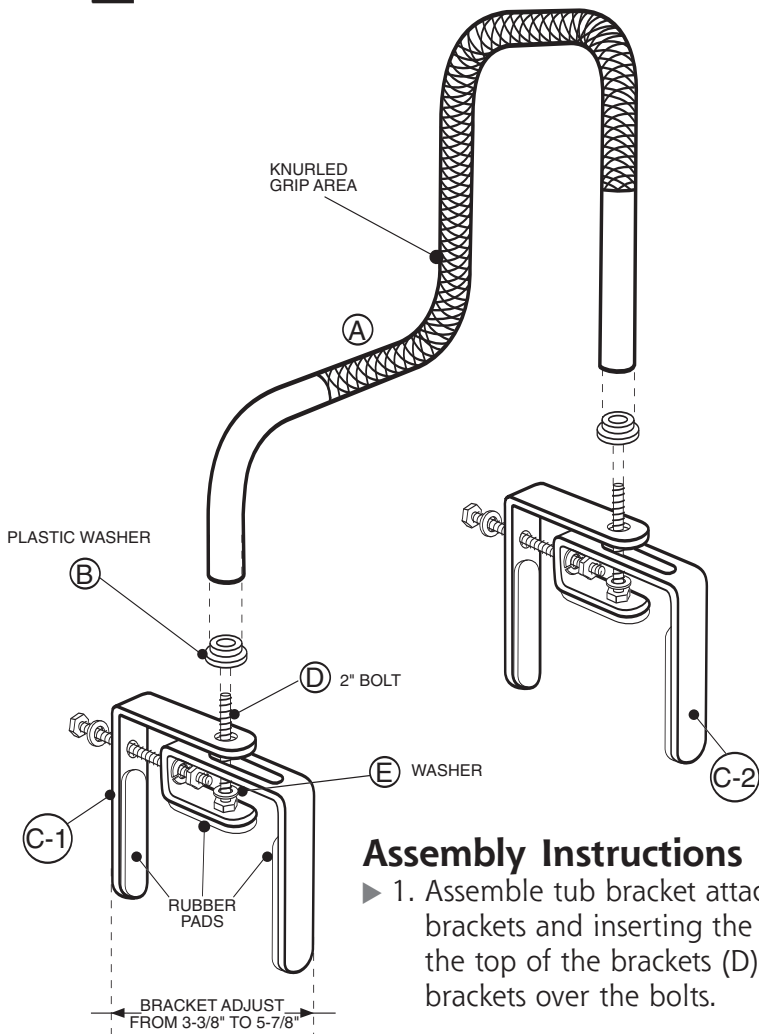


# Heavy-Duty SAFETY TUB BAR

**CAUTION**  
This product contains natural rubber latex which may cause allergic reactions.



**Weight Capacity: 220 lbs.**

## Assembly Instructions

- ▶ 1. Assemble tub bracket attachments (C-1, C-2) by taking the partially pre-assembled brackets and inserting the 2" bolts (D) with the washers (E) from the bottom through the top of the brackets (D). Place the plastic washers (B), flat side down, onto the brackets over the bolts.
- ▶ 2. Insert the Knurled Grab Bar (A) onto the 2" bolts over the plastic washers and tighten with the provided wrench.
- ▶ 3. After assembly, place tub bar onto side of tub. Tighten brackets (C-1, C-2) using the wrench to adjust the width by tightening the bolts until completely secure.  
**DO NOT OVER TIGHTEN AS IT COULD STRIP THE THREADS.**

**WARNING:** Periodically check assembly for tightness. **NEVER USE TUB BAR IF ANY PARTS APPEAR TO BE LOOSE, AS PERSONAL INJURY MAY RESULT.**

**NOTE:** If any parts are missing, do not return to the place of purchase. Contact us at 877-505-6190.

Distributed by:  
Duro-Med Industries  
Div. of DMS Holdings Inc.  
1931 Norman Drive South  
Waukegan, IL 60085-6715 USA  
www.duromed.com  
Made in Taiwan R.O.C.  
Toll-Free Customer  
Care Help Line  
877-505-6190  
Monday - Friday, 8:00 am - 4:30 pm CST  
#910-1614-0600 08/06  
©2006 Duro-Med Industries

**Safety**

**Security**

**Durability**