

WPS5CE & THE WPS5BCE Presentation Stations

BEST SELLER!



WPS5BCE

IMPROVED DESIGN!

NO MORE SHARP CORNERS!

Top Platforms, Keyboard Tray And Side Shelf

Now Feature Radius Corners For Safety!

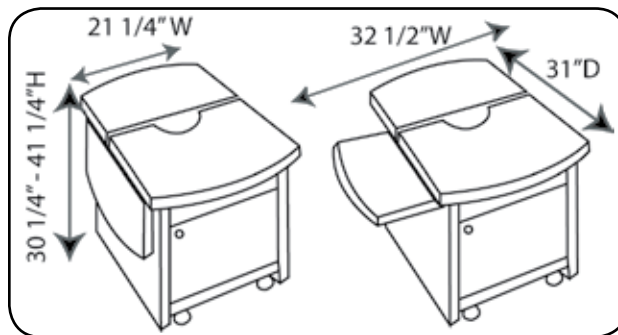
EASIER ASSEMBLY!

Some Hardware Now Factory Assembled!

WPS5CE & WPS5BCE Presentation Stations

- ⇒ All doors and platforms are lockable.
- ⇒ Locking cabinet has enough room for a tower and more!
- ⇒ 12" x 18" pop up side shelf for extra work space.
- ⇒ Split top surface that adjusts from 30¼" - 41½" in height to meet the needs of all multimedia presenters with cut out cable management built in.
- ⇒ Includes 3-outlet UL approved electrical assembly with 15 ft. cord, and cord management wrap.
- ⇒ Durable, easy clean gray laminate finish and four 3" Silent-roll casters, two with locks.
- ⇒ Ships UPS in three boxes.
- ⇒ Closed unit measures 30¼"H x 32½"W x 31"D for passage through most standard doorways.

Completely Locks Up!
Features An Electrical Assembly
& Handles/Retaining Rails
On The Adjustable Platform!



WPS5BCE



WPS5CE



MODEL	COLOR	SHELVES	HEIGHT	WEIGHT	M.S.R.P.
WPS5CE	GRAY	4	30 ¼" - 41 ½"	113 LBS.	\$588.00
WPS5BCE	GRAY/BLACK	4	30 ¼" - 41 ½"	113 LBS.	\$603.00

Visit www.hwilson.com Today To Locate A Dealer Near You! Need Accessories? See Pages 52 & 53!

Presentation Stations