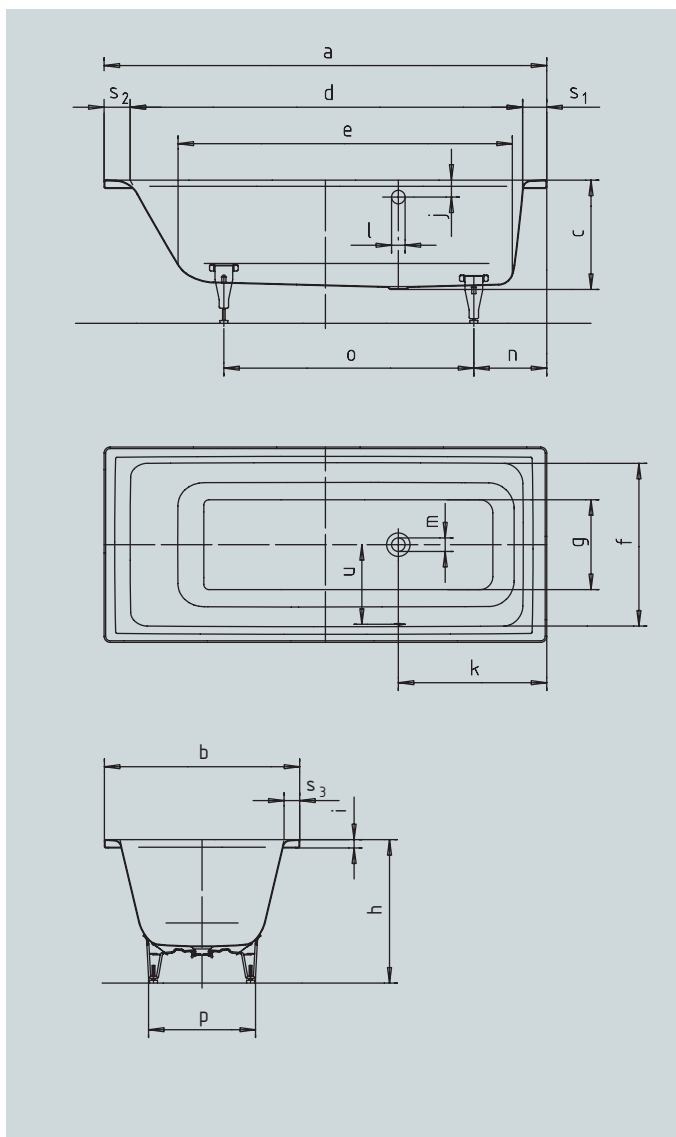


# PURO WITH SIDE OVERFLOW

- straightlined, purist design
- one-seater bathtub with side overflow
- classic four-cornered model
- made of Kaldewei steel enamel 3.5 mm



|   |  | inch             | mm          | inch             | mm          | inch         | mm          | inch             | mm          | inch         | mm          |
|---|--|------------------|-------------|------------------|-------------|--------------|-------------|------------------|-------------|--------------|-------------|
| <b>Model No.</b>                                |  | <b>684</b>       | <b>684</b>  | <b>688</b>       | <b>688</b>  | <b>656</b>   | <b>656</b>  | <b>692</b>       | <b>692</b>  | <b>657</b>   | <b>657</b>  |
| External length                                 | a  | 62.99            | 1600        | 66.93            | 1700        | 66.93        | 1700        | 66.93            | 1700        | 70.87        | 1800        |
| External width                                  | b  | 27.56            | 700         | 27.56            | 700         | 29.53        | 750         | 31.50            | 800         | 31.50        | 800         |
| Depth   | c  | 16.54            | 420         | 16.54            | 420         | 16.54        | 420         | 16.54            | 420         | 16.54        | 420         |
| Internal length (top)                           | d  | 55.51            | 1410        | 59.45            | 1510        | 59.45        | 1510        | 59.45            | 1510        | 63.39        | 1610        |
| <b>Internal length (bottom)</b>                 | <b>e</b>   | <b>46.46</b>     | <b>1180</b> | <b>50.39</b>     | <b>1280</b> | <b>50.39</b> | <b>1280</b> | <b>50.39</b>     | <b>1280</b> | <b>54.33</b> | <b>1380</b> |
| Internal width (top)                            | f  | 22.83            | 580         | 22.83            | 580         | 24.41        | 630         | 26.77            | 630         | 26.38        | 680         |
| Internal width (bottom)                         | g  | 16.14            | 410         | 16.14            | 410         | 13.58        | 460         | 18.11            | 460         | 15.55        | 510         |
| Height with feet                                | h  | 21.73-22.52      | 552-572     |                  |             | 21.77-22.56  | 553-573     |                  |             | 21.69-22.48  | 551-571     |
| Height of rim                                   | i  | 1.26             | 32          | 1.26             | 32          | 1.26         | 32          | 1.26             | 32          | 1.26         | 32          |
| Distance top edge to centre of overflow hole    | j  | 2.76             | 70          | 2.76             | 70          | 2.76         | 70          | 2.76             | 70          | 2.76         | 70          |
| Distance tub edge to centre of drain hole       | k  | 22.44            | 570         | 22.44            | 570         | 22.44        | 570         | 22.44            | 570         | 22.44        | 570         |
| Diameter of overflow hole                       | l  | 2.05             | 52          | 2.05             | 52          | 2.05         | 52          | 2.05             | 52          | 2.05         | 52          |
| Diameter of drain hole                          | m  | 2.05             | 52          | 2.05             | 52          | 2.05         | 52          | 2.05             | 52          | 2.05         | 52          |
| Distance foot end of tub edge to centre of foot | n  | 17.13            | 435         |                  |             | 17.52        | 445         |                  |             | 18.11        | 460         |
| Distance between the feet                       | o  | 27.76            | 705         |                  |             | 29.53        | 750         |                  |             | 32.28        | 820         |
| Max. width of feet                              | p  | 16.14            | 410         |                  |             | 17.52        | 445         |                  |             | 19.09        | 485         |
| Width of rim (foot end)                         | s <sub>1</sub> ; s <sub>2</sub> ; s <sub>3</sub> | 3.54; 3.94; 2.36 | 90; 100; 60 | 3.54; 3.94; 2.36 | 90; 100; 60 | 3.54; 3.94   | 90; 100; 60 | 3.54; 3.94; 3.35 | 90; 100; 85 | 3.54; 3.94   | 90; 100; 60 |
| Distance between centre holes                   | u  | 10.83            | 275         | 10.83            | 275         | 12.01        | 300         | 11.81            | 300         | 12.99        | 325         |
| Water volume** in gallons                       |  | 27.73            |             |                  |             | 36.18        |             | 36.18            |             | 43.58        |             |
| Weight of the enamelled bath tub in lbs         |  | 101.41           |             |                  |             | 114.64       |             | 110.23           |             | 119.05       |             |

Subject to technical alterations and tolerances.  
\*\* 18.49 gallons displacement on average.

**KALDEWEI**  
Europe's No. 1 for baths