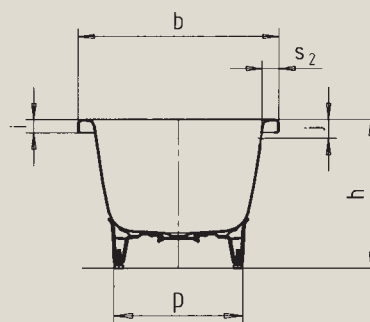
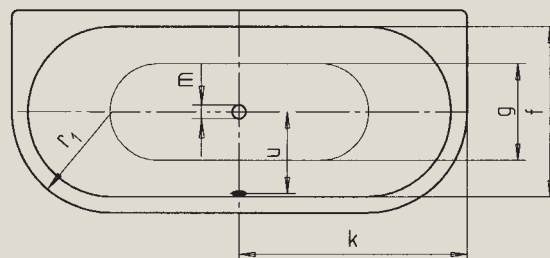
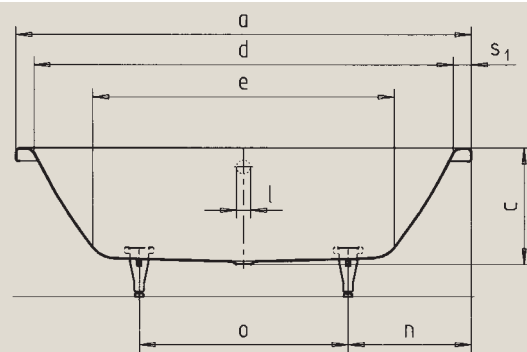


CENTRO DUO 2

- puristic simplicity and unpretentious elegance are what distinguish these bathtubs
- bathing with a friend: two identical back rests and centrally positioned outlet
- made of Kaldewei steel enamel 3.5 mm



Model No.		131	135
External length	a	1700	1800 mm
External width	b	750	800 mm
Depth	c	470	470 mm
Internal length (top)	d	1580	1680 mm
Internal length (bottom)	e	1130	1230 mm
Internal width (top)	f	630	680 mm
Internal width (bottom)	g	510	560 mm
Height with feet	h	605-640	595-630 mm
Height of rim	i	50	50 mm
Distance top edge to centre of overflow hole	j	70	70 mm
Distance tub edge to centre of drain hole	k	850	900 mm
Diameter of overflow hole	l	52	52 mm
Diameter of drain hole	m	52	52 mm
Distance foot end of tub edge to centre of foot	n	560	600 mm
Distance between the feet	o	580	600 mm
Max. width of feet	p	465	540 mm
Radius	r ₁	375	400 mm
Width of rim (foot end; lengthwise)	s ₁ ; s ₂	60; 60	60; 60 mm
Distance between centre holes	u	307	332 mm
Water volume** in litres		156	195
Weight of the enamelled bath tub in kg		52	53
Anti-slip		Ø 435	Ø 435 mm
Full anti-slip		900 x 300	900 x 300 mm

Note: The operational system may protrude on some whirl systems.
Please refer to the Technical Information for Whirl Systems for further information.
Subject to technical alterations and tolerances.
** 70 litres displacement on average.