

## 3 Drawer Changing Table (W3358)



**THIS PRODUCT IS NOT INTENDED FOR INSTITUTIONAL OR COMMERCIAL USE.**

If you have any questions or missing parts, please contact us. DO NOT return product parts to the store where it was purchased before contacting AFG Customer Service.

**AFG Customer Service:**

E-mail: [service@afgbabyfurniture.com](mailto:service@afgbabyfurniture.com)

Tel: (323) 722-6268

## **WARNING:**

**READ ALL WARNING & SAFETY INSTRUCTIONS BEFORE ASSEMBLING PRODUCT. KEEP INSTRUCTIONS WITH PRODUCT FOR FUTURE USE.**

First remove hardware from box and sort by size. Check to see that all hardware and wooden pieces are present before assembling.

Follow instructions listed below in the proper sequence as numbered to assure fast, easy and correct assembly.

DO NOT use this product if the enclosed or attached instructions cannot be strictly adhered to.

## **WARNING:**

- DO NOT attempt to repair or modify parts with cracks or defects. Please contact us for immediate replacement.
- This product is for home use and is not intended for use in schools, day care centers or other commercial establishments.
- Must be assembled by a capable adult.
- **CHOKING HAZARDS:** DO NOT put small / loose components on top of the changing table unit where baby could reach.

## **WARNING- KEEP THE INSTRUCTIONS FOR FUTURE USE**

**FALL HAZARD – TO PREVENT DEATH OR SERIOUS INJURY ALWAYS KEEP CHILD WITHIN ARM’S REACH.**

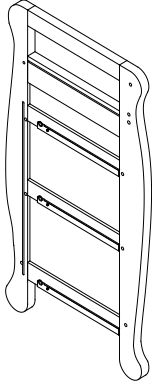
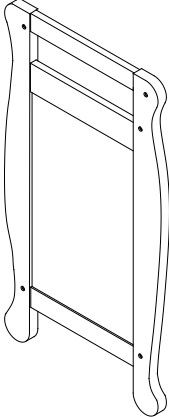
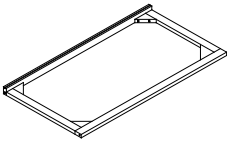
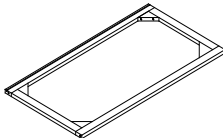
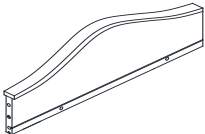
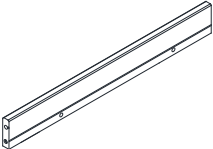
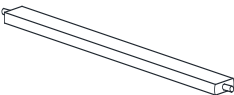
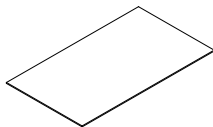
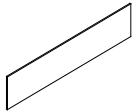
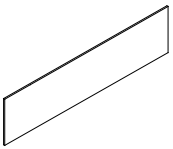
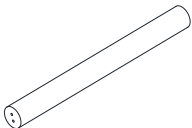
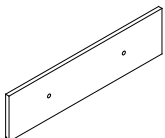
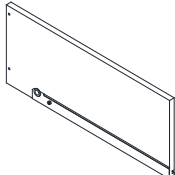
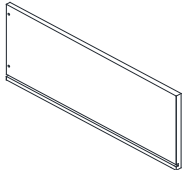

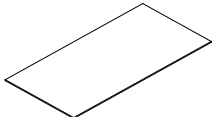
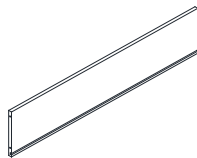
- NEVER LEAVE THE CHILD UNATTENDED.
- SECURE THE CHILD IN THE RESTRAINT WHEN USING CHANGER.
- KEEP THE CHILD IN VIEW WHILE CHILD IS IN THE CHANGER.
- STOP USING THE CHANGER WHEN THE CHILD IS ABLE TO SIT UP OR ROLL OVER.
- PERIODICALLY CHECK FOR LOOSE OR WORN PARTS, TIGHTEN, REPAIR, OR REPLACE AS NEEDED.
- THIS PRODUCT IS FOR RESIDENTIAL USE ONLY. ANY INSTITUTIONAL USE IS STRICTLY PROHIBITED.
- CAN ONLY RETAIN CHILD WITH MAXIMUM WEIGHT UP TO 30 LBS.
- ALWAYS SECURE CHANGING PAD TO THE CHANGER SURFACE BY FASTENING THE BELTS.
- DO NOT USE CHANGING TABLE, ADD-ON CHANGING UNIT, OR CONTOURED CHANGING PAD IF IT IS DAMAGED OR BROKEN.
- THIS PRODUCT IS NOT INTENDED TO BE USED AS A CHANGING TABLE WITHOUT FASTENING THE SAFETY BELT. USE OF THE PRODUCT WITHOUT THIS MAY RESULT IN DEATH OR SERIOUS INJURY TO YOUR CHILD FROM FALLING. FOLLOW ALL INSTRUCTIONS ON ATTACHING AND USING THE SAFETY BELT.
- RECOMMENDED PAD SIZE: 34" x 17" x 1".

PARENT SHOULD ENSURE A SAFE ENVIRONMENT FOR THEIR CHILD BY CHECKING THE FURNITURE CAREFULLY BEFORE PLACING CHILD IN THE PRODUCT. PLEASE MAKE SURE EVERY COMPONENT IS PROPERLY AND SECURELY IN PLACE.

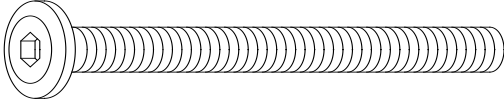




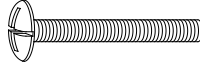


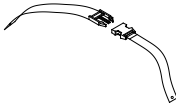
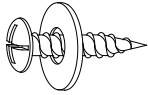
# W3358 Changer Parts Identification Sheet


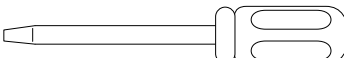
DO NOT assemble changer if parts and hardware are defective or missing.  
Contact AFG for exchange or keep the original box for return authorization.


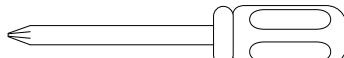
## ~ Changer Assembly Parts

<p>A. Right End Panel (1 pc)</p> 		<p>B. Left End Panel (1 pc)</p> 	
<p>C. Bottom Frame (1 pc)</p> 	<p>D. Middle Frame (2 pcs)</p> 	<p>E. Back Cross Beam (1 pc)</p> 	<p>F. Front Cross Beam (1 pc)</p> 
<p>G. Panel Support Bar (2 pcs)</p> 	<p>H. Bed Panel (1 pc)</p> 	<p>I. Upper / Lower Back Panel (2 pcs)</p> 	<p>J. Middle Back Panel (1 pc)</p> 
<p>K. Top Round Rail (1 pc)</p> 	<p>L. Drawer Front Panel (3 pcs)</p> 	<p>M. Drawer Left Panel (3 pcs)</p> 	<p>N. Drawer Right Panel (3 pcs)</p> 
<p>O. Drawer Support Bar (3 pcs)</p> 		<p>P. Drawer Bottom Panel (3 pcs)</p> 	<p>Q. Drawer Back Panel (3 pcs)</p> 

## ~ Changer Assembly Hardware

Item #	Fittings	Qty
1. Bolt 1/4" x 2-1/4"		(10 pcs)
2. Barrel Nut		(10 pcs)
3. Dowel 8 x 30 mm		(20 pcs)
4. Screw F4 x 1"		(27 pcs)
5. Screw F4 x 1-1/2"		(8 pcs)
6. Bolt 5/32" x 25 mm		(6 pcs)
7. Knob		(6 pcs)
8. Wrench		(1 pc)
9. Safety Strap		(1 pc)
10. Wood Screw 4 x 15 mm		(2 pcs)

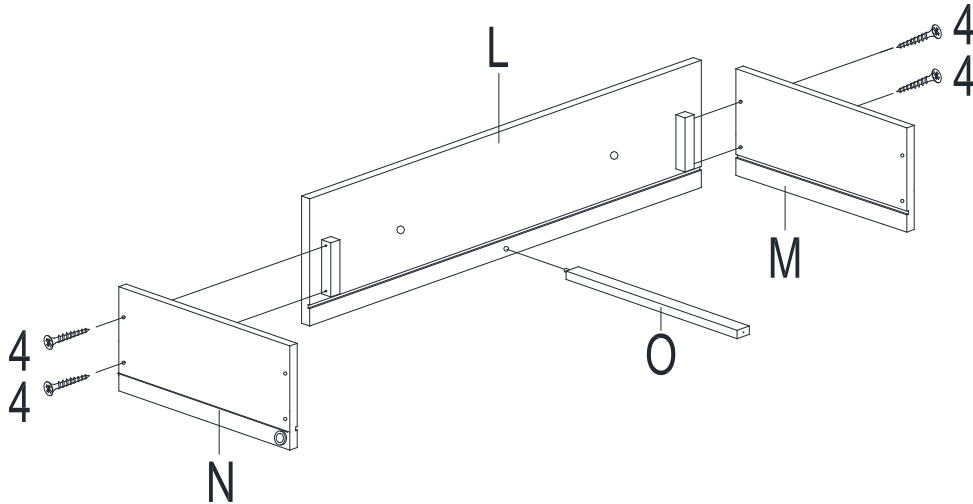
FLATHEAD SCREWDRIVER   (NOT INCLUDED)


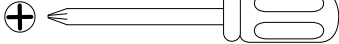
PHILLIPS SCREWDRIVER   (NOT INCLUDED)

# W3358 Changer Drawer Assembly Sheet

## STEP 1:

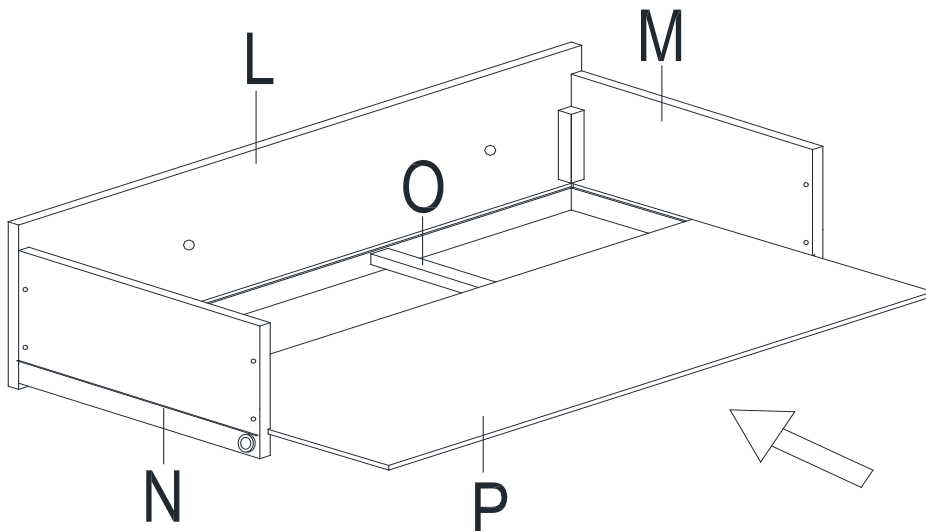
- a. With Phillips screwdriver, attach Drawer Left Panel (M) and Drawer Right Panel (N) to Drawer Front Panel (L) using 4 Screws (#4).
- b. Insert Drawer Support Bar (O) into Drawer Front Panel (L).



4.		(4 pcs)	
----	---	---------	--

## STEP 2:

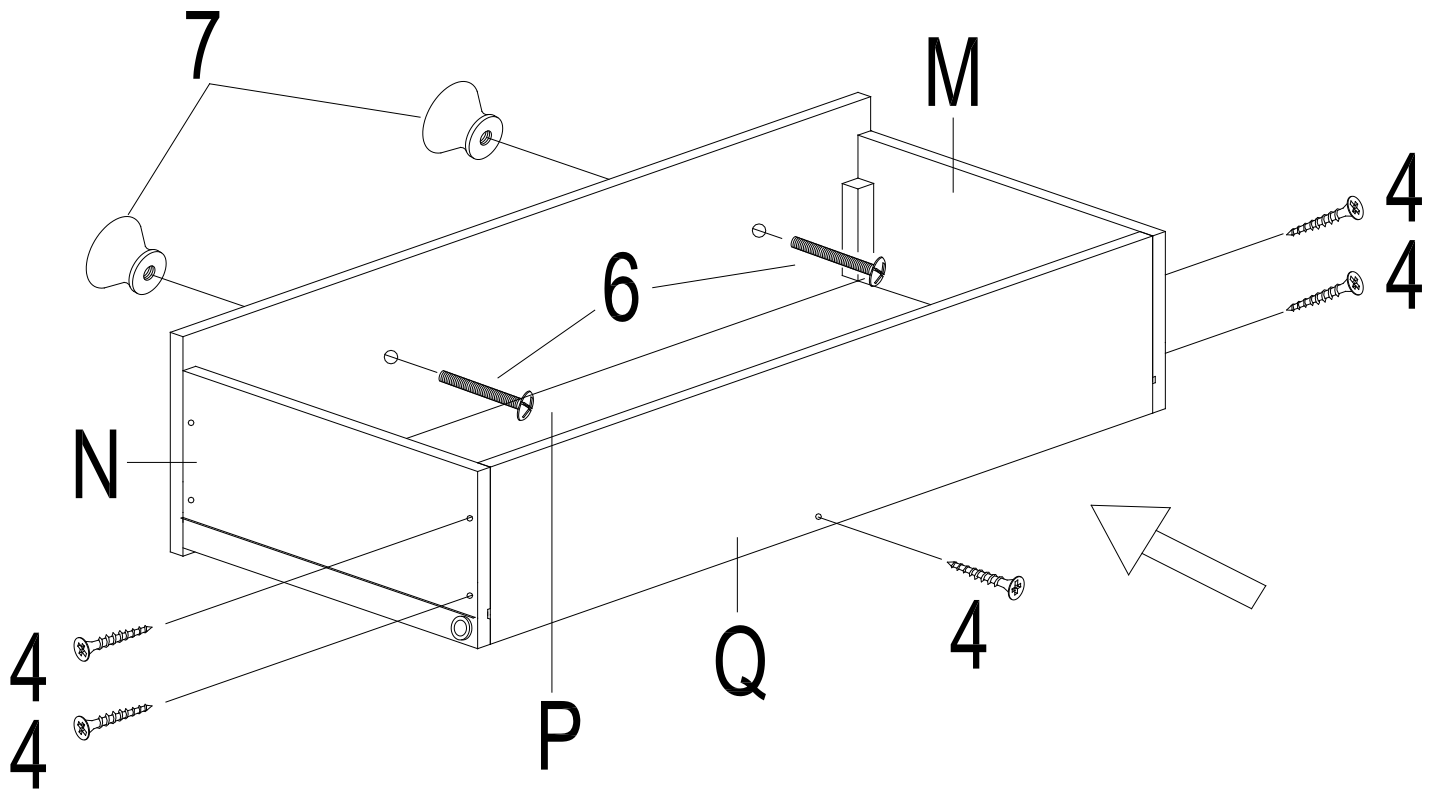
Slide Drawer Bottom Panel (P) into the grooves of the side panels.




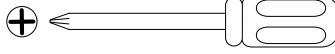


# W3358 Changer Drawer Assembly Sheet

## STEP 3:

- a. With Phillips screwdriver, attach Drawer Back Panel (Q) to side panels and drawer support bar using 5 Screws (#4). Make sure all screws are tightly secured.
- b. Attach Knobs (#7) to Drawer Front Panel with 2 Bolts (#6).



4.		(5 pcs)	6.		(2 pcs)
7.		(2 pcs)			

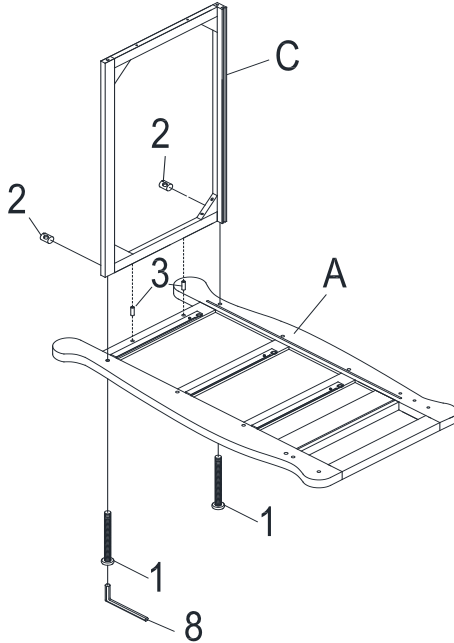
Repeat above steps to assemble the other two drawers.





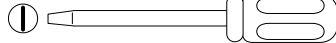
# W3358 Changer Assembly Sheet

**STEP 1: Note: For easier assembly, place Right End Panel (A) flat on the ground.**

a. Insert 2 Dowels (#3) into Right End Panel (A).

b. Attach Bottom Frame (C) to the Right End Panel (A) by using 2 Barrel Nuts (#2) from the underside of the right side corners of Bottom Frame before inserting 2 Bolts (#1). Tighten firmly with Wrench (#8).

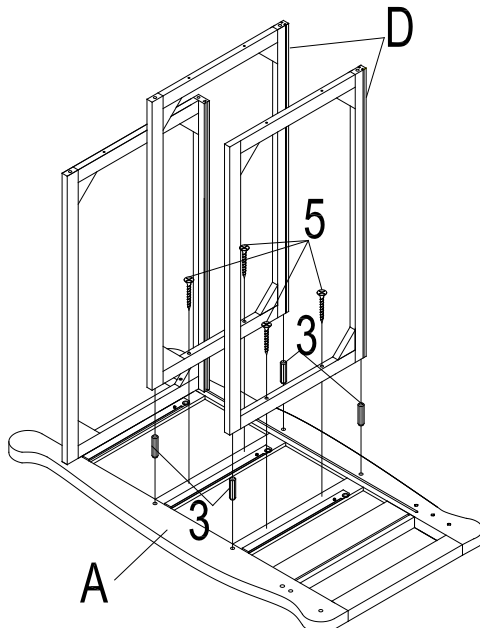




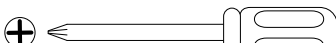
1.		(2 pcs)
2.		(2 pcs)
3.		(2 pcs)
8.		(1 pc)
		

**STEP 2:**

a. Insert 4 Dowels (#3) into the Middle Frames (D).

b. With Phillips screwdriver, attach the two frames to Right End Panel (A) using 4 Screws (#5).



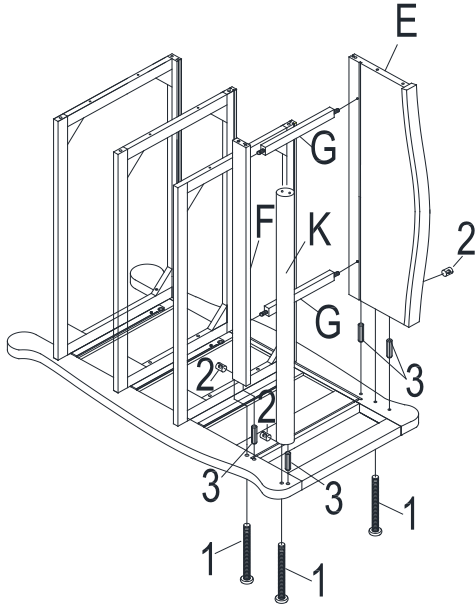
3.		(4 pcs)
5.		(4 pcs)
		

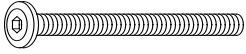

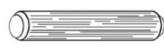

# W3358 Changer Assembly Sheet

## STEP 3:

a. Attach 2 Panel Support Bars (G) to Back Cross Beam (E) and Front Cross Beam (F) before inserting 4 Dowels (#3) into the Back Cross Beam (E), Front Cross Beam (F) and Top Round Rail (K).

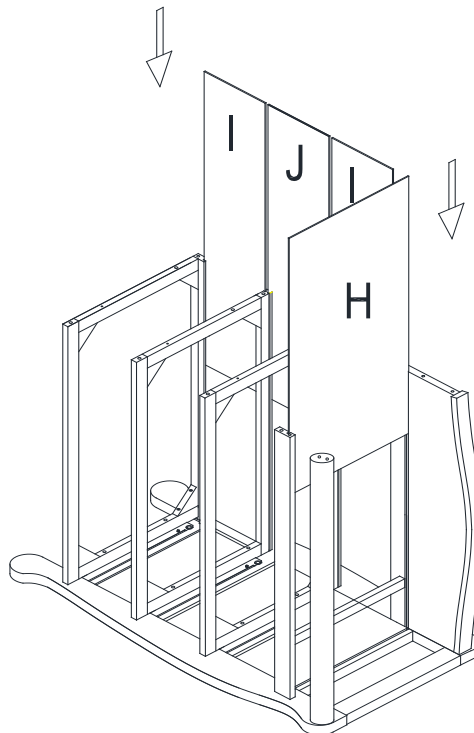
b. Attach Back Cross Beam, Front Cross Beam and Top Round Rail to Right End Panel using 3 Bolts (#1) and 3 Barrel Nuts (#2). Tighten firmly with Wrench (#8).



1.		(3 pcs)
2.		(3 pcs)
3.		(4 pcs)
8.		(1 pc)

## STEP 4:

Slide Bed Panel (H), Upper and Lower Back Panels (I) and Middle Back Panel (J) into the grooves.

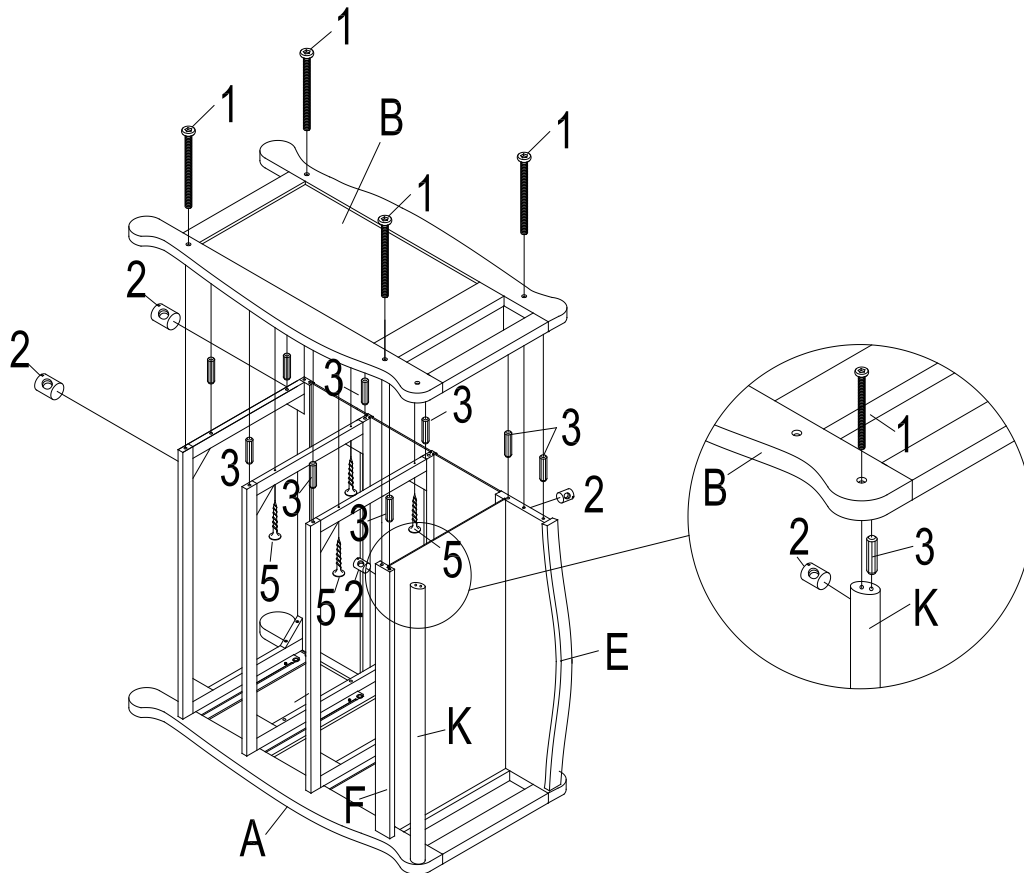





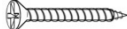

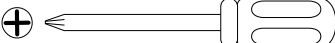
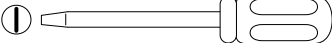


# W3358 Changer Assembly Sheet

## STEP 5:

- a. Insert 10 Dowels (#3) into all parts before attaching Left End Panel (B).
- b. Attach Bottom Frame (C), Back Cross Beam (E), Front Cross Beam (F) and Top Round Rail (K) to Left End Panel (B) using 5 Bolts (#1) and 5 Barrel Nuts (#2). Tighten firmly with Wrench (#8).
- c. With Phillips screwdriver, attach Left End Panel (B) to two Middle Frames (D) using 4 screws (#5).
- d. Pull the changing unit to a standing position. Gently rock one side of unit and test for uneven assembly. Retighten screws or reassemble entire unit if necessary.



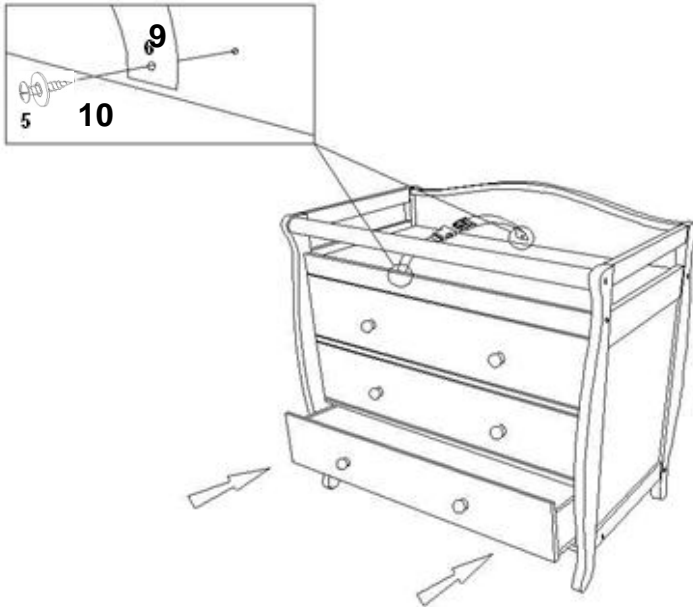
1.		(5 pcs)	2.		(5 pcs)
3.		(10 pcs)	5.		(4 pcs)
8.		(1 pc)			
					


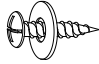
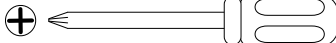
# W3358 Changer Assembly Sheet

## STEP 6:

a. Insert the three assembled drawers into unit.

b. Attach the Safety Strap (#9) to Back Cross Beam (E) and Front Cross Beam (F) by using the Wood Screws (#10).



9.		(1 pc)
10.		(2 pcs)
		

Changing Table Complete

## **⚠ WARNING ⚠** **IMPORTANT SAFETY NOTICE**

This or any changer unit can tip or fall over for when not used for its intended purpose. This could potentially result in serious injury or death.

Keep your children and others safe by following these simple rules:

- Do not allow climbing on any changer unit.
- Do not leave drawers open when not in use.
- Do not allow standing in drawers
- Do not allow hanging from drawers.
- Do not allow standing on top of changer unit.
- Do not place heavy objects in drawers.
- Do not place heavy objects on top of the changer unit which can be pulled down on top of your child.
- To avoid head injury, do not allow your child to play underneath open drawers.
- Child must be securely fastened to changer unit when the unit is in use.
- Always monitor your child's activity when in the nursery.

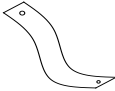
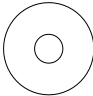
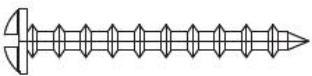
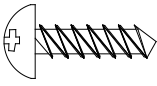
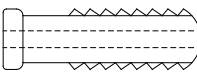
# C3358 Changer Wall Safety Strap



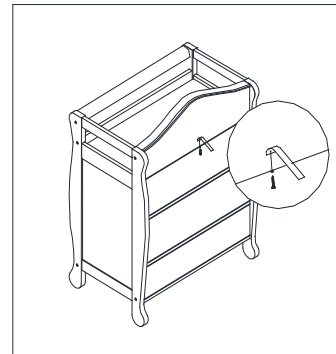
**WARNING: WHEN UPRIGHT, IT IS POSSIBLE THAT THE FURNITURE MAY TIP OVER. FOR YOUR CHILD'S SAFETY, PLEASE INSTALL THE SAFETY WALL STRAP BEHIND THE FURNITURE.**

- **TOOLS NECESSARY: RUBBER MALLET, PHILLIPS SCREW DRIVER.**
- **TOOLS AND HARDWARE SHOWN ARE NOT INCLUDED.**

PLEASE READ ALL INSTRUCTIONS CAREFULLY BEFORE USING THIS PRODUCT AND KEEP THESE INSTRUCTIONS FOR FUTURE REFERENCE. IF YOU HAVE ANY QUESTIONS, PLEASE EMAIL US AT: [SERVICE@AFGBABYFURNITURE.COM](mailto:SERVICE@AFGBABYFURNITURE.COM) OR VISIT [WWW.AFGBABYFURNITURE.COM](http://WWW.AFGBABYFURNITURE.COM)

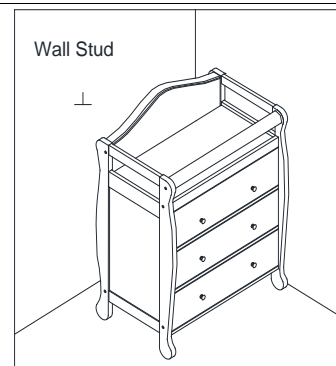
<p>Safety Wall Strap 8" x 1.5" (1 pc)</p> 	<p>Washer (2 pcs)</p> 	<p>Screw D4 x 1-3/8" (1 pc)</p> 
<p>Screw D4 x 3/4" (1 pc)</p> 	<p>Wall Stud (1 pc)</p> 	

**STEP 1:** Make a mark near the top of the back side of the furniture (in the center toward the top frame of the furniture of where you would like to install the safety wall strap). Insert the short screw through the washer and through the safety wall strap. Install the screw into where the mark was made behind the furniture using a Phillips screw driver



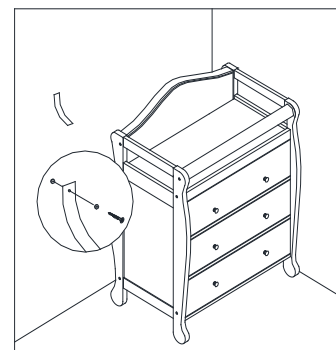
**STEP 2:** Locate a wall stud. With the back of the furniture against the wall, locate the middle of the top of the dresser and make a mark against the wall. Measure 5cm down from the mark and drill a 1/8" pilot hole through the wall stud and into the plaster wall.

**CAUTION:** The changer unit must be centered on a wall stud as shown. If you are unsure of how to locate the wall stud, contact a professional contractor.



**STEP 3:** Attach the wall strap to the wall stud using the long 1-1/2" screw and washer as shown. Make sure strap holds steady and complete installation.

**CAUTION:** Do not attempt to screw into the plaster wall only. You must screw into a wall stud.



## One year limited warranty

**AFG International Products Inc.** © wants you to be satisfied with any product that bears the AFG name or logo. We will provide promptly, at the request of the retailer, and without charge, any missing parts that have been reported, with proper description, within 7 days of the purchase of the products. Our warranty guarantees optimal workmanship and lack of significant defects. The product warranty lasts a year from the date of your purchase. Please keep the original receipt so that we may process your one year limited warranty request. This warranty only covers new units with original packaging. Ownership of the warranty is non-transferable. The warranty does not cover any used, second-hand, or demo models. Our obligation under this warranty is to replace or repair the merchandise, at our option, free of charge. This warranty does not cover any damaged or defective parts that result from normal wear and tear, abuse, negligence, improper use or alteration to the finish design, and hardware. Specific rights issued by this warranty may vary from state to state. Some states do not allow limitations on how long implied warranties last. **DO NOT** return products to the store once a product is used, it cannot be resold and the materials and energy invested in the product would go to waste. In the event that AFG determines that a defect that may result from customer abuse or misuse, we will contact you with information about services and methods to prevent occurrences. We strongly recommend you register your product with our company by filling out registration and mailing it back to us. This ensures you are up-to-date with our products' maintenance and information.

This warranty does not cover damage caused by accident, misuse or any use other than as intended and described in this assembly sheet or damage resulting from failure to maintain and clean this product as specified in this assembly sheet. **This warranty applies only to the original purchaser of the AFG International Products Inc. product.**

## Care and Maintenance

- **Storage:** The product must be kept in a dry and clean area. Solid wood tends to exchange moisture with the surrounding air and reacts to major changes in temperature and humidity. It is best to place your furniture away from heating or air-conditioning vents. Direct exposure to sunlight can discolor of the wood, so do not place your product where it will receive prolonged sunlight exposure.
- **Care and Cleaning:** Do not scratch or chip the finish. Do not use abrasive chemicals for cleaning. Clean with mild soap on a soft rag. Rinse and dry thoroughly. If you choose to refinish this furniture, be sure to use only a non-toxic finish specified for children's products.
- Wood is a natural material. As such, it can be affected by changes in temperature and humidity. Extreme changes in humidity and temperature can cause the wood to warp, swell, crack, or shrink, thus compromising the structural integrity of the crib and making it dangerous to use.

## **CAUTION!** Safety Tips for Use of Changers

**Many older changers, including secondhand or second use changers, may not meet all current safety standards. For baby's safety, even if you are on a tight budget, you should not purchase a used changer at a garage sale or accept a hand-me-down that does not meet the most recent Federal and ASTM standards.**

**Thank you for choosing AFG.**

MADE IN VIETNAM AFG ©.