


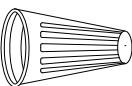





PARTS & ASSEMBLY SHEET

Fixture Name: Empyreal 1220-1W RT

This fixture assembled PO: _____ Date: _____

Notice: Please review the parts listing and check for all parts before assembling the fixture. If any parts are missing or damaged, please note on this sheet and contact the place of purchase to arrange for

PARTS LIST		Company Name: _____ Co. Account #: _____ below to be filled out by retailer	
Mounting Strap 1ea Ø4"*1.5mm 	Junction Box Screw 2ea #8-32N*H25mm 	Mounting Screw 2ea 5/32"*H32mm 	
Wire Connector 3ea P3 Orange 	Hex Nut 2 ea 5/32"*H3.5mm 	Deco Nut (Round) 2 ea 5/32"xH9mm 	
Green Ground Screw 1 ea #8-32N*H10mm 			
Part Needed _____		Quantity _____	
Part Needed _____		Quantity _____	
Reason why _____ (missing, scratched, broken glass, bent, bad finish)			
Comments _____			

FIXTURE ASSEMBLY INSTRUCTIONS

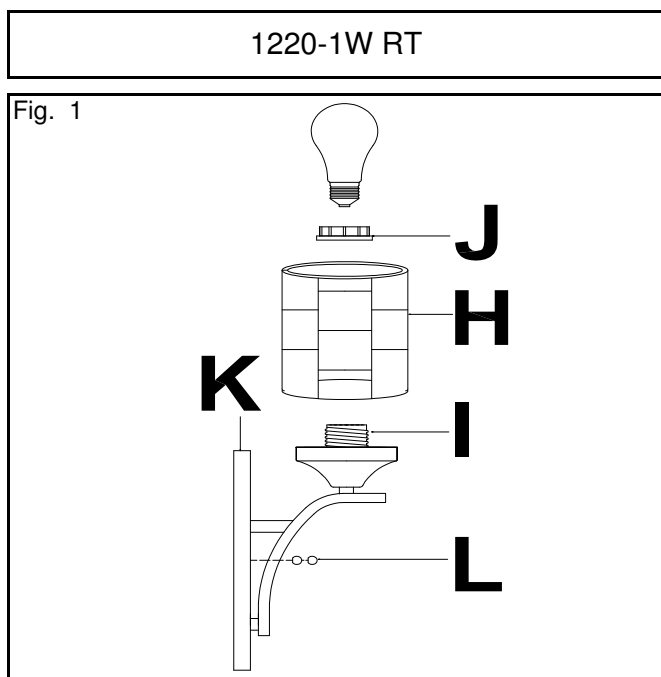
Read and review installation instruction sheet before assembling the fixture.

1. Slide the Shade (H) over Socket (I) and secure Shade (H) by threading the Socket Ring (J) to Socket (I).

2. Install light bulb in accordance with the fixture's specifications.

(DO NOT EXCEED THE MAXIMUM WATTAGE RATING!)

NOTE: INSTALL THE SHADE ASSEMBLY AFTER THE FIXTURE IS HUNG.



For Customer Service, contact the place of purchase to arrange for replacement parts.

WARNING ! SHUT OFF POWER AT FUSE OR CIRCUIT BREAKER.

HANGING THE FIXTURE (Fig 1)

1. Carefully remove the new fixture from the carton and the yellow bag that holds all your parts. Check that all parts are included as shown in the illustration and parts list.
2. Shut off power at the circuit breaker and remove the old fixture from wall, including the old mounting strap.
3. The Mounting Strap (A) contains several pairs of threaded holes, find the pair of holes that match the holes spacing in your fixture Back Plate (K) and thread the two Mounting Screws (B) half way into the Mounting Strap (A).
4. Place the Mounting Strap (A) over the Junction Box (E) so the Mounting Screws (B) are vertical or horizontal, as required by fixture type.
5. Attach the Mounting Strap (A) to the Junction Box (E) by using the two mounting screws (D). Tighten the screws securely.

CONNECTING THE WIRES (Fig 2)

6. Attach the power supply wires to the fixture lead wires by connecting BLACK to BLACK (or SMOOTH) and WHITE to WHITE (or RIBBED).
 7. Attached the GROUND wire (GREEN or COPPER) from the Junction Box and the fixture Ground wire to the green Ground Screw on the Mounting Strap (A) or connect both wires together using the correct size of wire connectors
- NOTE: Twist the wires together in the same direction you twist the wire connector onto the wires.
8. Tuck these wire connections neatly into the Junction Box.

FINISHING THE INSTALLATION (Fig 3)

9. Place the fixture Back Plate (K) over the Mounting screws (B), so they protrudes through the holes in the Back Plate (K).
10. Thread the Deco Nut (L) onto the Mounting screws (B) and continue turning until the Back Plate (K) is snug against the wall.
11. Install shade and light bulbs as per the fixture assembly instructions

(DO NOT EXCEED THE MAXIMUM WATTAGE RATING)

Fig. 1

JUNCTION BOX

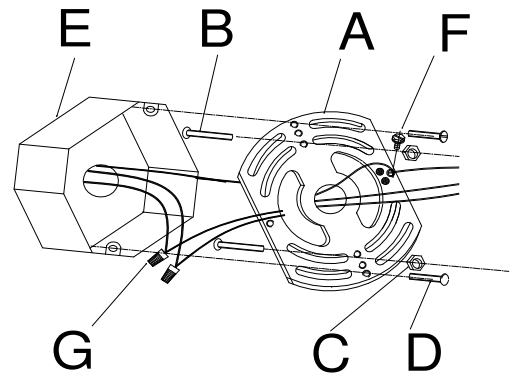


Fig. 2

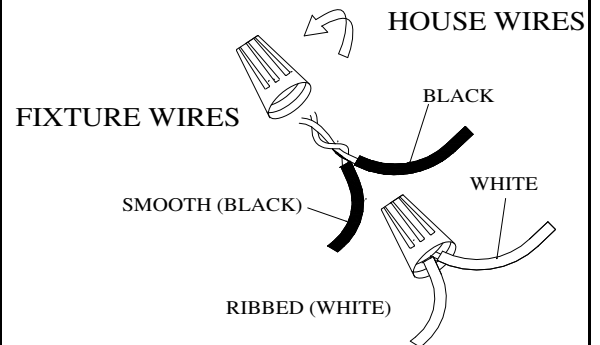


Fig. 3

