

# Assembly Instructions: C180-S/L (Terra)

## IMPORTANT:

- ALL INSTALLATION WORK SHOULD BE DONE BY ACCREDITED PROFESSIONAL.
- SHUT OFF POWER SUPPLY AT FUSE OR CIRCUIT BREAKER!
- USE ONLY THE SPECIFIED BULBS. DO NOT EXCEED THE MAXIMUM WATTAGE!

**For Customer Service, contact the place of purchase to arrange for replacement parts.**

## HANGING THE FIXTURE

Find the pair of holes that matches the spacing of the holes on the junction box. Place the mounting strap over the junction box and attach using screws and a screw driver.

## CONNECTING THE WIRES

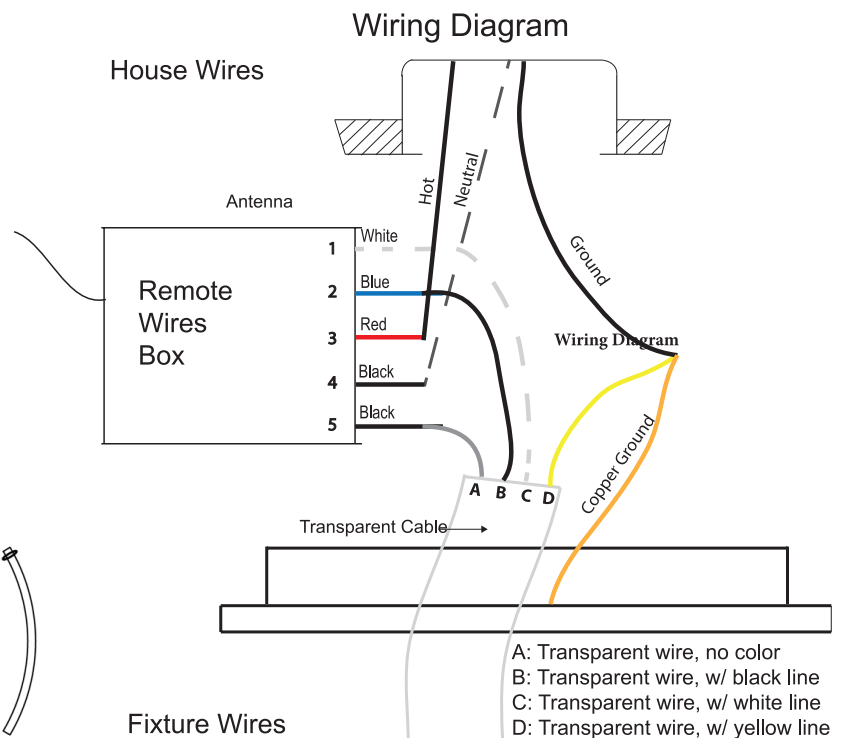
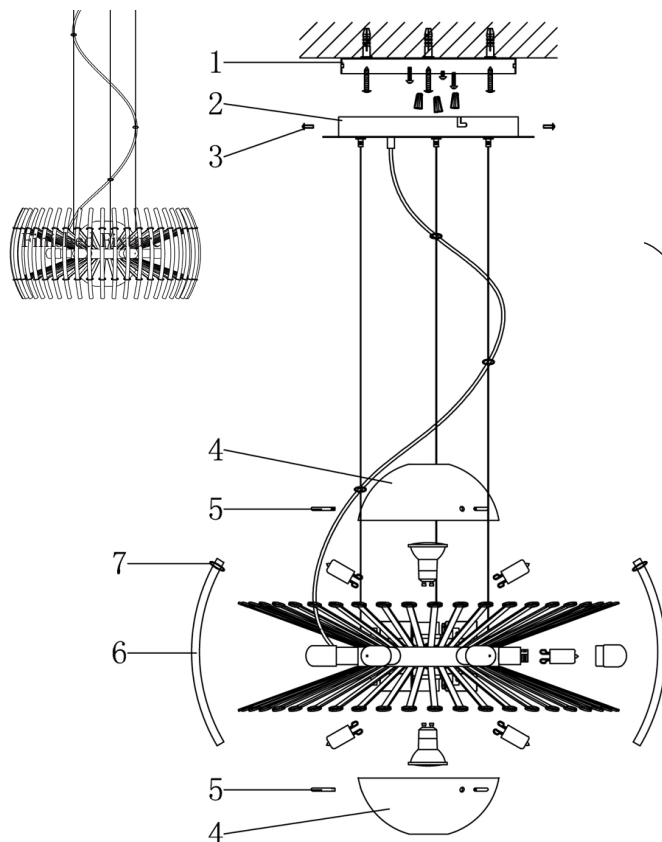
Follow the wiring diagram below.

## FINISHING THE INSTALLATION

Attach canopy (2) to bracket (1) using mounting screws (3) and a screwdriver. Use the installation diagram below to install the provided halogen bulbs. See bulb note below. Install glass (4) to the frame using screws (5). Install glass rods (6) to the fixture body, making sure a rubber o-rings (7) spaces the rod from the fixture body.

Bulb note: Use a tissue or paper towel to hold the bulb and push down into socket. Oils or dirt can cause the bulb life to shorten. Rubbing alcohol is recommended to clean the bulbs if dirty.

YOUR INSTALLATION IS NOW COMPLETE. YOU MAY RESTORE POWER TO THE JUNCTION BOX AND TEST THE FIXTURE.



## CLEANING ADVICE:

- To avoid scratches, always use dry, smooth cloths to dust the fixture.
- Never use wet or abrasive cleaning products to clean the light fixture.
- For major cleaning, please disconnect the power at the main switch.

