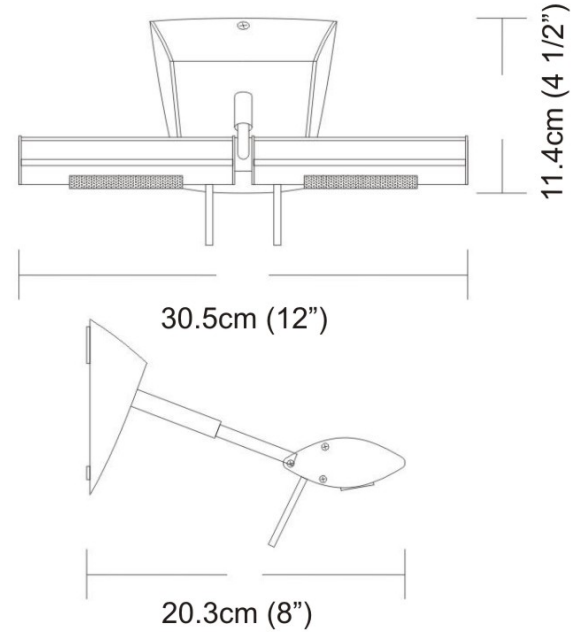


**Date:** \_\_\_\_\_ **Project:** \_\_\_\_\_

**Fixture Type:** \_\_\_\_\_ **Specifier/Rep:** \_\_\_\_\_

 Certified by  North American Standards

Exact Measurements: Metric

<b>Fixture Finish:</b>	Brushed Nickel
<b>Diffuser:</b>	Brushed Nickel Mesh
<b>Lamp Type:</b>	T3Q/3 (79mm) Halogen
<b>Lamp Base:</b>	RSC (double ended)
<b>Lamp Voltage:</b>	120Vac
<b>Number Of Lamps:</b>	2
<b>Max Wattage Per Lamp:</b>	150W
<b>Total Wattage:</b>	300W
<b>Width:</b>	11.4cm / 4 1/2"
<b>Length:</b>	30.5cm / 12"
<b>Height:</b>	11.4cm / 4 1/2"
<b>Extension:</b>	20.3cm / 8"
<b>Weight:</b>	4.5 lbs / 2.04 kg

**Additional Details**
**Available Sizes and / or Lamping**

- Ra - Wall [D9-3000] -- 30.5cm / 12" x 11.4cm / 4 1/2" - 2x150W - T3Q/3 (79mm) Halogen - Brushed Nickel
- Ra - Wall [D9-3001] -- 25.4cm / 10" x 15cm / 6" - 2x35W - T4 Halogen - Brushed Nickel
- Ra - Wall [D9-3003] -- 20.3cm / 8" x 10.2 cm / 4" - 1x150W - T3Q/3 (79mm) Halogen - Brushed Nickel
- Ra - Wall [D9-3004] -- 35.6 cm / 14" x 10.2 cm / 4" - 2x150W - T3Q/3 (79mm) Halogen - Brushed Nickel

**Coordinating Series**

- Ra - Wall
- Ra - Suspension
- Ra - Portable