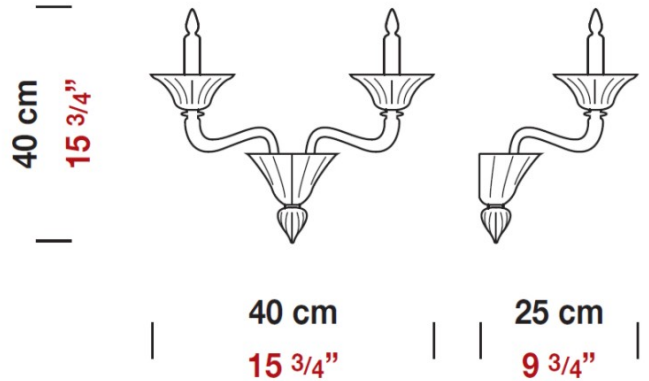


Date: _____ Project: _____

Fixture Type: _____ Specifier/Rep: _____


 Certified by  North American Standards

Exact Measurements: Metric

Nominal Lumen:	1300 lm
Fixture Finish:	Chrome
Diffuser:	Crystal Blown Glass
Lamp Type:	T4 Halogen
Lamp Base:	G9
Lamp Voltage:	120Vac
Number Of Lamps:	2
Max Wattage Per Lamp:	35W
Total Wattage:	70W
IP Rating:	IP20
Length:	40cm / 15 3/4"
Height:	40cm / 15 3/4"
Extension:	25cm / 9 3/4"

Additional Details
Alternative Finish Models

- Puskin - Wall [D8-3215] -- 40cm / 15 3/4" - 2x35W - T4 Halogen - Chrome - White
- Puskin - Wall [D8-3216] -- 40cm / 15 3/4" - 2x35W - T4 Halogen - Chrome - Black
- Puskin - Wall [D8-3217] -- 40cm / 15 3/4" - 2x35W - T4 Halogen - Chrome - Red
- Puskin - Wall [D8-3218] -- 40cm / 15 3/4" - 2x35W - T4 Halogen - Chrome - Amber

Available Sizes and / or Lamping

- Puskin - Wall [D8-3215] -- 40cm / 15 3/4" - 2x35W - T4 Halogen - Chrome - White
- Puskin - Wall [D8-3216] -- 40cm / 15 3/4" - 2x35W - T4 Halogen - Chrome - Black
- Puskin - Wall [D8-3217] -- 40cm / 15 3/4" - 2x35W - T4 Halogen - Chrome - Red



Puskin - Wall
Model No: **D8-3219**

Date: _____ **Project:** _____

Fixture Type: _____ **Specifier/Rep:** _____

Puskin - Wall [D8-3218] -- 40cm / 15 3/4" - 2x35W - T4 Halogen - Chrome - Amber

Coordinating Series

Puskin - Wall

Puskin - Suspension