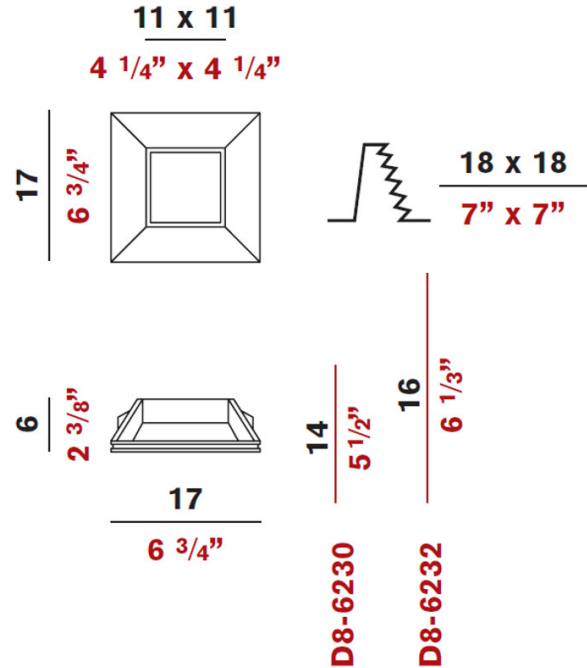
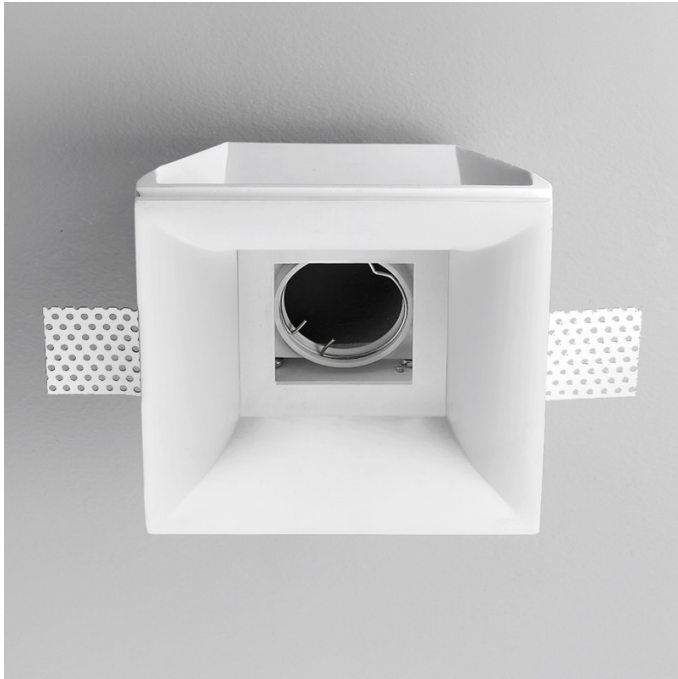


Date: \_\_\_\_\_ Project: \_\_\_\_\_  
Fixture Type: \_\_\_\_\_ Specifier/Rep: \_\_\_\_\_



Certified by  North American Standards

Available for International specifications by adding "INT" at the end of the existing Model # International spec sheets are available upon request

Exact Measurements: Metric

<b>Model:</b>	D8-6230
<b>Installation:</b>	Trimless - Ceiling
<b>Light Color:</b>	Warm White
<b>Color Temperature:</b>	3000K
<b>Nominal Lumen:</b>	600lm
<b>Fixture Finish:</b>	White
<b>Fixture Material:</b>	Plaster
<b>Optic:</b>	40°
<b>Lamp Type:</b>	LED
<b>Constant Current:</b>	350mA
<b>Number of LEDs:</b>	1.0
<b>Max Wattage Per Lamp:</b>	6.7W
<b>IP Rating:</b>	IP20
<b>Width:</b>	17cm / 6 3/4"
<b>Length:</b>	17cm / 6 3/4"
<b>Height:</b>	6cm / 2 3/8"
<b>Min. Recessing Depth:</b>	14 cm / 5 1/2"
<b>Power Supply:</b>	Remote LED driver 120Vac/350mA ( Not Included - See components)

LED module included.  
6.7W and 11.2W versions shown.  
See fixture specifications.



#### Additional Details

Plaster Housing Frame (D8-6022) with adjustable Metal White Spot LED (D8-6116) - Driver sold separately (see system components)

## System Components

Date: \_\_\_\_\_ Project: \_\_\_\_\_

Fixture Type: \_\_\_\_\_ Specifier/Rep: \_\_\_\_\_

Invisibili - LED Driver DR009350 Driver 1-9W 350mA

Invisibili - LED Driver DR017350 Driver 17w 350mA

## Available Sizes and / or Lamping

Invisibili - Adjustable - 4 1/4" - 6.7W D8-6230 17cm / 6 3/4" x 17cm / 6 3/4" - Adjustable Plaster Housing Frame + 1x6.7W LED, 3000K, 350mA, 40°, 600lm

Invisibili - Adjustable - 4 1/4" - 11.2W D8-6232 17cm / 6 3/4" x 17cm / 6 3/4" - Adjustable Plaster Housing Frame + 1x11.2W LED, 3000K, 350mA, 40°, 1230lm