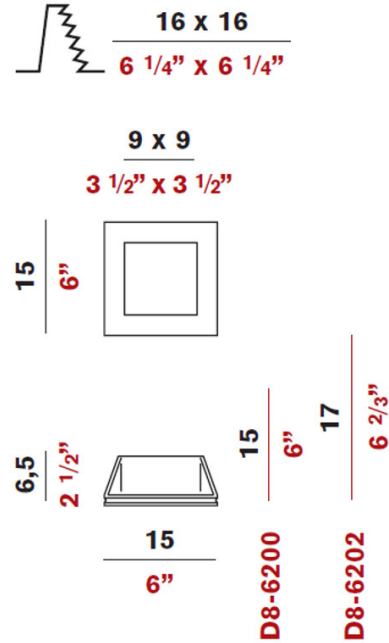


Date: \_\_\_\_\_ Project: \_\_\_\_\_  
 Fixture Type: \_\_\_\_\_ Specifier/Rep: \_\_\_\_\_



Certified by  North American Standards

Available for International specifications by adding "INT" at the end of the existing Model # International spec sheets are available upon request

Exact Measurements: Metric

<b>Model:</b>	D8-6200
<b>Installation:</b>	Trimless - Ceiling
<b>Light Color:</b>	Warm White
<b>Color Temperature:</b>	3000K
<b>Nominal Lumen:</b>	600lm
<b>Fixture Finish:</b>	White
<b>Fixture Material:</b>	Plaster
<b>Optic:</b>	40°
<b>Lamp Type:</b>	LED
<b>Constant Current:</b>	350mA
<b>Number of LEDs:</b>	1.0
<b>Max Wattage Per Lamp:</b>	6.7W
<b>IP Rating:</b>	IP20
<b>Width:</b>	15cm / 6"
<b>Length:</b>	15cm / 6"
<b>Height:</b>	6.2cm / 2 1/2"
<b>Min. Recessing Depth:</b>	15 cm / 6"
<b>Power Supply:</b>	Remote LED driver 120Vac/350mA ( Not Included - See components)



LED module included.  
 6.7W and 11.2W versions shown.  
 See fixture specifications.

**Additional Details**

Plaster Housing Frame (D8-6000) with adjustable Metal White Spot LED (D8-6116) - Driver sold separately (see system components)

## System Components

Date: \_\_\_\_\_ Project: \_\_\_\_\_

Fixture Type: \_\_\_\_\_ Specifier/Rep: \_\_\_\_\_

Invisibili - LED Driver DR009350 Driver 1-9W 350mA  
Invisibili - LED Driver DR017350 Driver 17w 350mA

## Available Sizes and / or Lamping

Invisibili - Adjustable - 6" - 6.7W LED D8-6200 15cm/6" x 15cm/6" - Adjustable Plaster Housing Frame + 1x6.7W LED, 3000K, 350mA, 40°, 600lm  
Invisibili - Adjustable - 6" - 11.2W LED D8-6202 15cm/6" x 15cm/6" - Adjustable Plaster Housing Frame + 1x11.2W LED, 3000K, 350mA, 40°, 1230lm